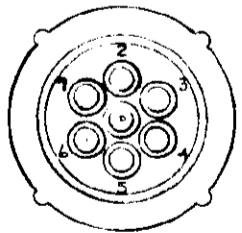
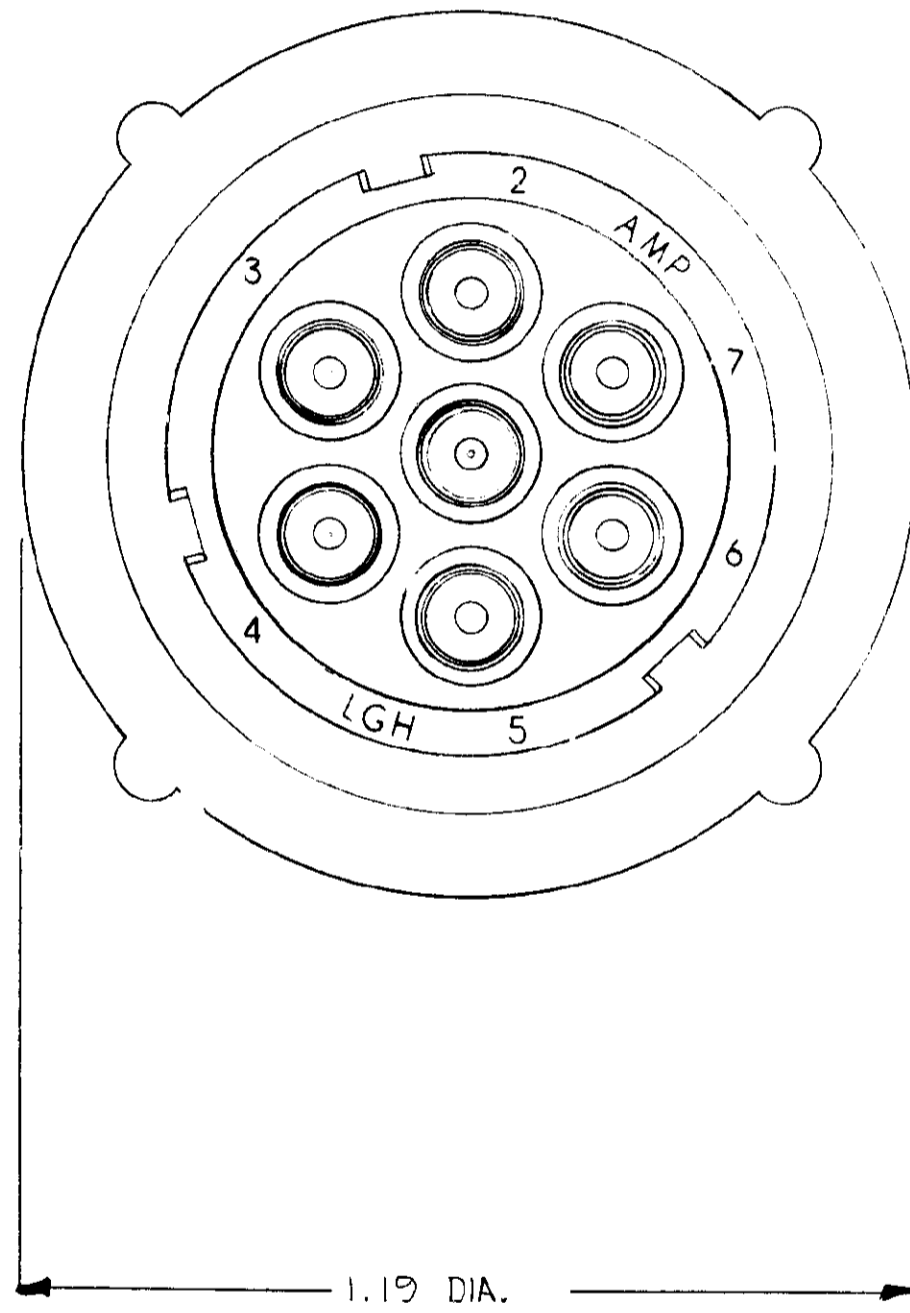
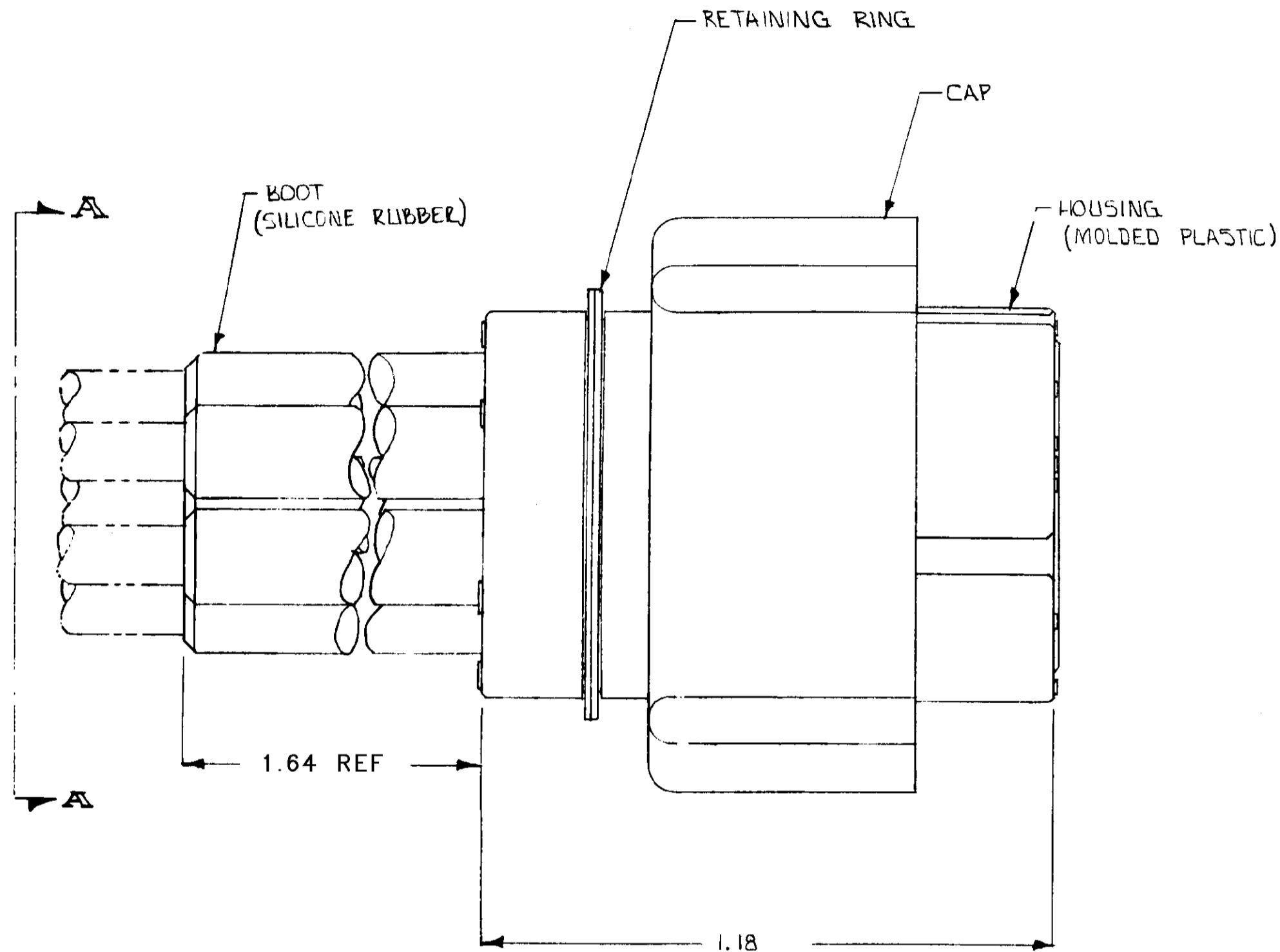


© COPYRIGHT 1974 BY AMP INCORPORATED, HARRISBURG, PA. ALL INTERNATIONAL RIGHTS RESERVED. AMP INCORPORATED PRODUCTS COVERED BY U. S. AND FOREIGN PATENTS AND/OR PATENTS PENDING.

UNPUBLISHED COPY NOT TO BE REPRODUCED NOR PUBLISHED WITHOUT WRITTEN PERMISSION OF AMP INCORPORATED.

REVISIONS					
P	ZONE	LTR	DESCRIPTION	DATE	APPROVED
	A		ECO-10-008756	PY 5-10	DE



VIEW A-A
ACTUAL SIZE

NOTE:
1. CONNECTOR SUPPLIED WITHOUT WIRES AND WITH LOOSE PINS
2. CONNECTOR MUST BE ASSEMBLED ON .122 DIA WIRE ONLY

862006-1 AS SHOWN

				UNLESS OTHERWISE SPECIFIED DIMENSIONS ARE IN INCHES.		CONTRACT NO		PART NO	
				TOLERANCES: .00 ± .01, .000 ± .005		DR <i>G.E. Day</i> 7-12-74		AMP INCORPORATED Elizabethtown, Pa.	
				ANGLES ±		CHK		NAME	
				MATERIAL		APPD <i>H. H. ...</i> 7-17-74		7 PIN MINIATURE CIRCULAR PLUG	
				FINISH		APPD		LGH	
NEXT ASSY		FINAL ASSY		NEXT ASSY		USED ON		DSGN APPD	
QTY REQD		APPLICATION				OTHER APPD		SIZE CODE IDENT NO NUMBER	
								C 89110 862006	
								REV A	
								SCALE 4:1 WT SHEET 1 of 1	