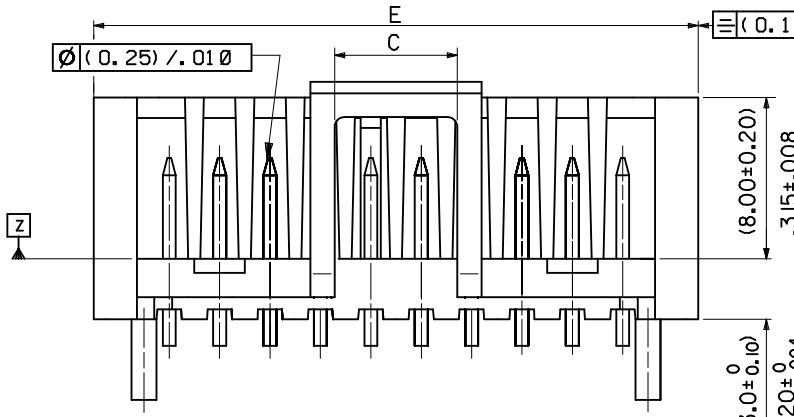
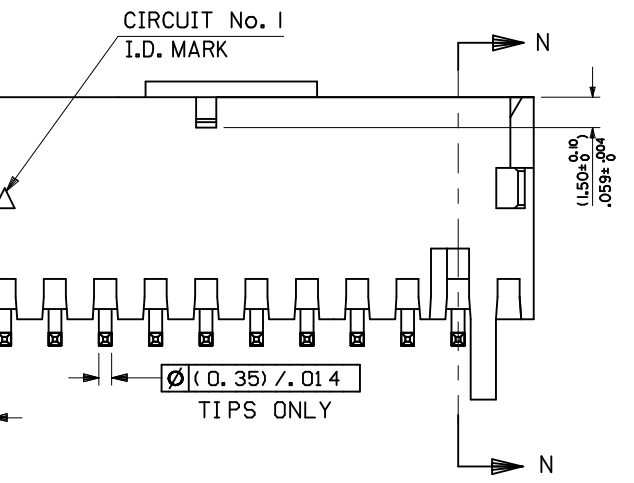
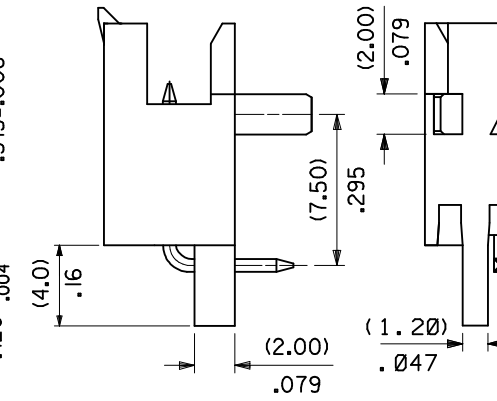


SECTION N-N
SKIP FEATURE AND KEYING IN SAME CIRCUIT. 2,3 & 4 CKT. ONLY.

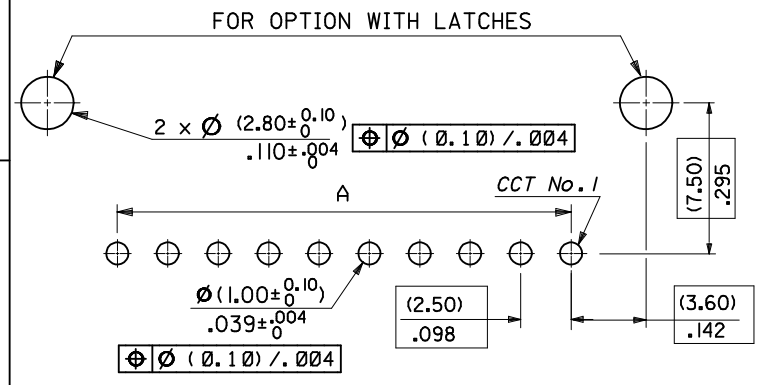


RECOMMENDED P.C.B. HOLE LAYOUT
PCB LAYOUT : COMPONENT SIDE
PCB THICKNESS 1.5 TO 1.6.



NOTES :

1. MATERIAL; HEADER: POLYESTER, UL 94V-0, G.E VALOX 310-SE0. PINS: BRASS, PLATING: (3um)/.118uin MIN. TIN OVER (2um)/.078uin MIN. COPPER OR NICKEL.
2. FOR ALL UNSTATED DIMENSIONS, COLOUR I.D AND KEYING POSITIONS SEE SHEET 2.



EC NO: E2005-0199 DRW: P. SHEAHAN 2004/10/08 CHKD: 2004/10/11 APPR: B. MAGUIRE 2004/10/19	QUALITY SYMBOLS ▽ = ◁ =	GENERAL TOLERANCES (UNLESS SPECIFIED)		DIMENSION STYLE MM ONLY		SCALE 4:1	DESIGN UNITS METRIC	THIRD ANGLE PROJECTION	
		4 PLACES ± --- ± --- 3 PLACES ± --- ± .006 2 PLACES ± .15 ± .008 1 PLACE ± .25 ± --- ANGULAR ± ---°	mm INCH	DRAWN BY DATE	TITLE 2.5MM UF HDR WTBR LTC	MOLEX INCORPORATED		MATERIAL NO. SEE CHART	DOCUMENT NO. SDA-90649E
DRAFT WHERE APPLICABLE MUST REMAIN WITHIN DIMENSIONS		SIZE A3		THIS DRAWING CONTAINS INFORMATION THAT IS PROPRIETARY TO MOLEX INCORPORATED AND SHOULD NOT BE USED WITHOUT WRITTEN PERMISSION					

CCT SIZE	ENG. NUMBER	A	B ±(.025) ± .010	C ±(0.20) ± .008	D ±(0.20) ± .008	E ±(0.25) ± .010	KEY		COLOUR I.D	VOID POS' N CCT NO
							POSN. CCT. No.	F ±(.010) ± .004		
2	90649--002	(2.5) .098	(7.7) .303	(1.3) .051	(3.6) .142	(10.0) .394	1	(1.50) .059	NATURAL	
	2							RED		
	1&2						(1.0)/.040	GREEN		
	1						(1.5)/.059	BLUE		
	NONE						-	PURPLE		
3	-8003	(5.0) .197	(10.2) .402	(2.6) .102	(6.1) .240	(12.5) .492	1		NATURAL	2
	1							NATURAL		
	2						(1.50) .059	RED		
	3							GREEN		
	1&2						(1.0)/.040	BLUE		
4	-8004	(7.5) .295	(12.7) .500	(5.1) .201	(8.6) .338	(15.0) .591	1		NATURAL	
	2						(1.00) .040	RED		
	3							GREEN		
	4							BLUE		
	NONE						-	PURPLE		
5	-8005	(10.0) .394	(15.2) .598	(5.1) .201		(17.5) .689	1		NATURAL	3
	2						(1.00) .040	RED		
	3							GREEN		
	4							BLUE		
	NONE						-	PURPLE		
6	-8006	(12.5) .492	(17.7) .697	(5.1) .201		(20.0) .787	2		NATURAL	4
	3						(1.00) .040	RED		
	4							GREEN		
	5							BLUE		
	NONE						-	PURPLE		
7	-8007	(15.0) .591	(20.2) .795	(5.1) .201		(22.5) .886	2		NATURAL	
	3						(1.00) .059	RED		
	4							GREEN		
	5							BLUE		
	NONE						-	PURPLE		
8	-8008	(17.5) .689	(22.7) .894	(5.1) .201		(25.0) .984	3		NATURAL	
	4						(1.00) .040	RED		
	5							GREEN		
	6							BLUE		
	NONE						-	PURPLE		
9	-8009	(20.0) .787	(25.2) .992	(5.1) .201		(27.5) 1.083	3		NATURAL	
	4							RED		
	5						(1.00) .040	GREEN		
	6							BLUE		
	NONE						-	PURPLE		
10	-8010	(22.5) .886	(27.7) 1.09	(5.1) .201		(30.0) 1.181	4	(1.00) .040	NATURAL	2&8
	5							RED		
	6							GREEN		
	NONE						-	PURPLE		
11	-8011	(25.0) .984	(30.2) 1.189	(5.1) .201	(8.6) .338	(32.5) 1.280	4	(1.00) .040	NATURAL	
	5							RED		
	6							GREEN		
	NONE						-	PURPLE		
	90649--411									

CCT SIZE	ENG. NUMBER	A	B ±(.025) ± .010	C ±(0.20) ± .008	D ±(0.20) ± .008	E ±(0.25) ± .010	KEY		COLOUR I.D	
							POSN. CCT.	F ±(.010) ± .004		
12	90649--012	(27.5) 1.083	(32.7) 1.287	(5.1) .201	(8.6) .338	(35.0) 1.380	5	(1.00) .040	NATURAL	
	6							RED		
	7							GREEN		
	NONE						-	PURPLE		
13	--013	(30.0) 1.181	(35.2) 1.386			(37.5) 1.476	5	(1.00) .040	NATURAL	
	6							RED		
	7							GREEN		
	NONE						-	PURPLE		
14	--014	(32.5) 1.280	(37.7) 1.484			(40.0) 1.575	6	(1.00) .040	NATURAL	
	7							RED		
	NONE						-	PURPLE		
15	--015	(35.00) 1.378	(40.2) 1.583			(42.5) 1.673		(1.00) .040		
	NONE						-	PURPLE		
16	--016	(37.5) 1.476	(42.7) 1.681			(45.0) 1.772		(1.00) .040		
	NONE						-	PURPLE		
17	--017	(40.0) 1.575	(45.2) 1.779			(47.5) 1.870		(1.00) .040		
	NONE						-	PURPLE		
18	--018	(42.5) 1.673	(47.7) 1.878			(50.0) 1.969		(1.00) .040		
	NONE						-	PURPLE		
19	--019	(45.0) 1.772	(50.2) 1.976			(52.5) 2.067		(1.00) .040		
	NONE						-	PURPLE		
20	--020	(47.5) 1.870	(52.7) 2.075	(5.1) .201	(8.6) .338	(55.0) 2.165		(1.00) .040		
	90649--420						NONE	-	PURPLE	

90649-****

- 1 WITH SNAP-IN LATCHES
- 3 WITHOUT SNAP-IN LATCHES
- 8 WITH SNAP-IN LATCHES AND VOID OPTIONS

NEW PART No.90649-8003 ADDED	QUALITY SYMBOLS
EC NO: E2005-0199	▲ =
DRWN:P.SHEAHAN 2004/10/08	▽ =
CHKD: 2004/10/11	
APPR:BMAGUIRE 2004/10/19	
REV DESCRIPTION	

GENERAL TOLERANCES (UNLESS SPECIFIED)	DIMENSION STYLE	SCALE	DESIGN UNITS	THIRD ANGLE PROJECTION
	MM ONLY	---	METRIC	
4 PLACES ± --- ± ---	DRAWN BY	TITLE		
3 PLACES ± --- ± ---	POB	2.5MM UF HDR		
2 PLACES ± --- ± ---	DATE	WTB RA LTC		
1 PLACE ± --- ± ---	13/10/90	CHECKED BY	DATE	
ANGULAR ± ---°	X	APPROVED BY	DATE	
	X	MOLEX MOLEX INCORPORATED		
DRAFT WHERE APPLICABLE MUST REMAIN WITHIN DIMENSIONS	MATERIAL NO.	DOCUMENT NO.	SHEET NO.	
	SEE CHART	SDA-90649E	2 OF	
	SIZE A3	THIS DRAWING CONTAINS INFORMATION THAT IS PROPRIETARY TO MOLEX INCORPORATED AND SHOULD NOT BE USED WITHOUT WRITTEN PERMISSION		