



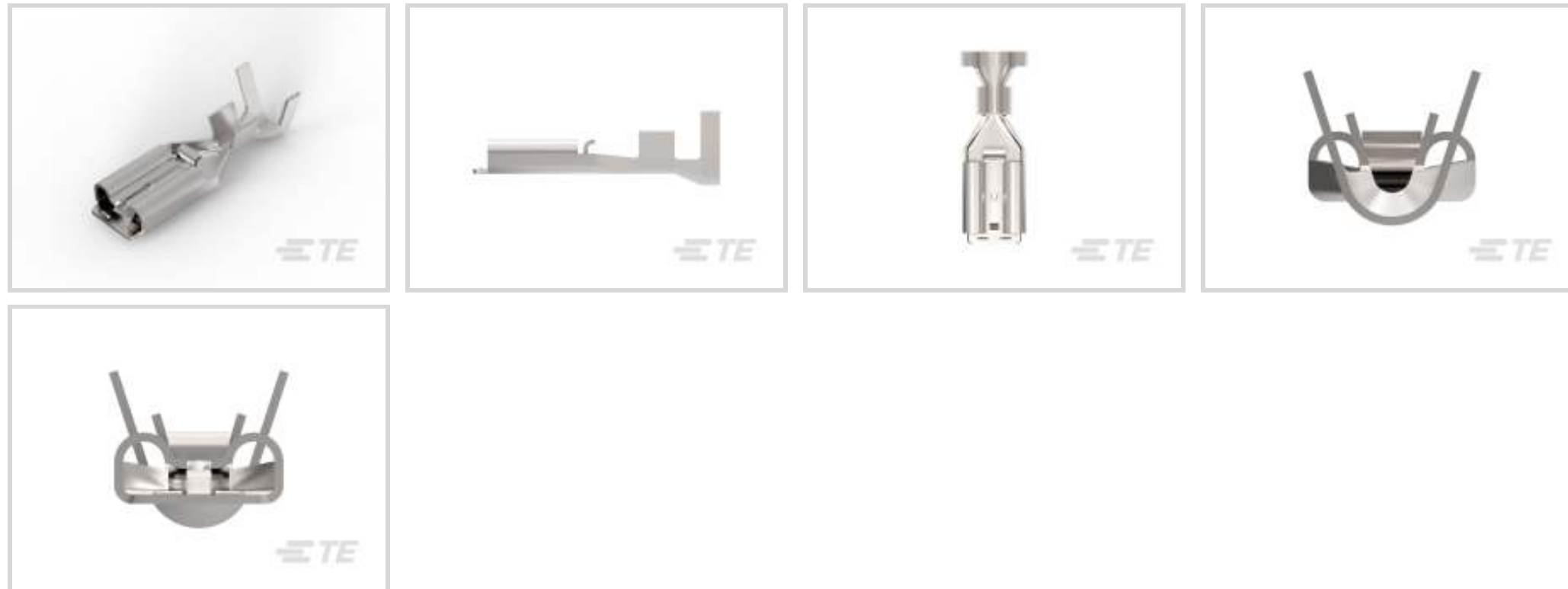
Positive Lock | Positive Lock 187

TE Internal #: 1742669-1

Quick Disconnects, Receptacle, 20 – 16 AWG Wire Size, .51 – 1.31 mm² Wire Size, Mating Tab Width 4.75 mm [.187 in], Straight, Steel, Positive Lock 187

[View on TE.com >](#)

Terminals & Splices > Quick Disconnects



Quick Disconnect Terminal Type: **Receptacle**

Wire Size: **.51 – 1.31 mm²**

Mating Tab Width: **4.75 mm [.187 in]**

Terminal Orientation: **Straight**

Features

Configuration Features

Connection Capacity	Single
Compatible With Wire & Cable Type	Discrete Wire

Contact Features

Quick Disconnect Terminal Type	Receptacle
Mating Tab Width	4.75 mm [.187 in]
Terminal Orientation	Straight
Contact Base Material	Steel
Terminal Plating Material	Unplated
Crimp Type	F-Crimp
Barrel Type	Open

Termination Features

Product Terminates To	Wire & Cable
-----------------------	--------------

Mechanical Attachment

Wire Insulation Support	With
-------------------------	------



Dimensions

Terminal Material Thickness	.3 mm[.012 in]
Compatible Insulation Diameter Range	2.29 – 3.56 mm[.09 – .14 in]
Wire Size	.51 – 1.31 mm ²

Usage Conditions

Insulation Option	Uninsulated
Operating Temperature Range	-40 – 250 °C[-40 – 482 °F]

Packaging Features

Packaging Quantity	6000
Packaging Method	Strip/Reel

Other

Line	AMP POSITIVE LOCK
------	-------------------

Product Compliance

[For compliance documentation, visit the product page on TE.com>](#)

EU RoHS Directive 2011/65/EU	Compliant
EU ELV Directive 2000/53/EC	Compliant
China RoHS 2 Directive MIIT Order No 32, 2016	No Restricted Materials Above Threshold
EU REACH Regulation (EC) No. 1907/2006	Current ECHA Candidate List: JUNE 2023 (235) Candidate List Declared Against: JAN 2023 (233) Does not contain REACH SVHC
Halogen Content	Low Halogen - Br, Cl, F, I < 900 ppm per homogenous material. Also BFR/CFR/PVC Free
Solder Process Capability	Not applicable for solder process capability

Product Compliance Disclaimer

This information is provided based on reasonable inquiry of our suppliers and represents our current actual knowledge based on the information they provided. This information is subject to change. The part numbers that TE has identified as EU RoHS compliant have a maximum concentration of 0.1% by weight in homogenous materials for lead, hexavalent chromium, mercury, PBB, PBDE, DBP, BBP, DEHP, DIBP, and 0.01% for cadmium, or qualify for an exemption to these limits as defined in the Annexes of Directive 2011/65/EU (RoHS2). Finished electrical and electronic equipment products will be CE marked as required by Directive 2011/65/EU. Components may not be CE marked. Additionally, the part numbers that TE has identified as EU ELV compliant have a maximum concentration of 0.1% by weight in homogenous materials for lead, hexavalent chromium, and mercury, and 0.01% for cadmium, or qualify for an exemption to these limits as defined in the Annexes of Directive 2000/53/EC (ELV). Regarding the REACH Regulation, the information TE provides on SVHC in articles for this part number is based on the latest European Chemicals Agency (ECHA) 'Guidance on requirements for substances in articles' posted at this URL: <https://echa.europa.eu/guidance-documents/guidance-on-reach>

Compatible Parts



TE Part # 2232342-1
187 PL EX FLAG REC. 22-16AWG PTBR



TE Part # 2-2150196-1
OC-PA-E-FM-080F155OV-023-0640



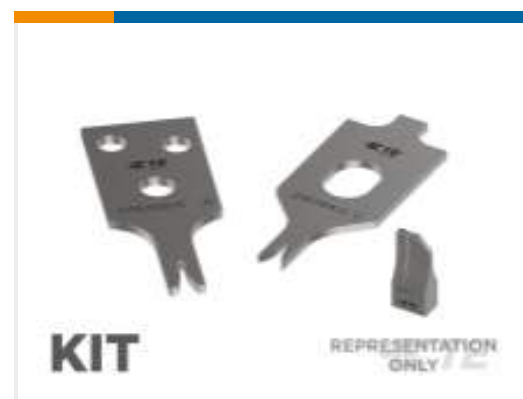
TE Part # 2-2150196-2
OC-PA-E-FA-080F155OV-023-0640



TE Part # 2150196-1
OC-AT-E-FM-080F155OV-023-0640



TE Part # 2150196-2
OC-AT-E-FA-080F155OV-023-0640



TE Part # 7-2150196-7
OC-080F155OV-CRIMPTOOLINGKIT

Also in the Series | Positive Lock 187



Crimp Terminal Housings(86)



Insertion & Extraction Tools(2)

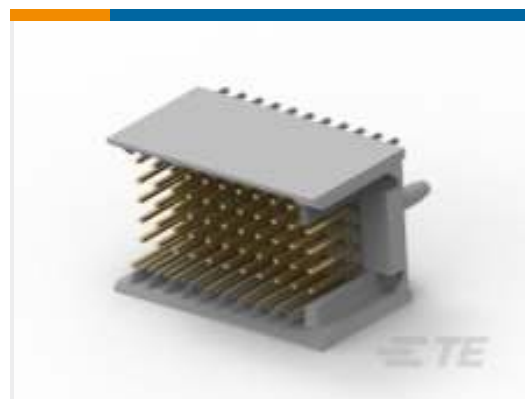


Insulation Boots & Sleeves(7)



Quick Disconnects(55)

Customers Also Bought



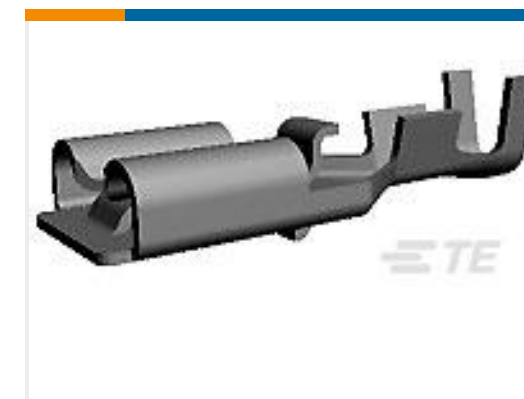
TE Part #5188516-9
Z-PACK/C M-HDR 77P



TE Part #1-1879454-5
TE 1200W 15R 5% Bracket



TE Part #4030-006-120
6G TRIAXIAL MEMS DC
ACCELEROMETER



TE Part #179975-1
250 PL EX REC. 15-10AWG PTBR



Documents

Product Drawings

[PL EX 187 REC 0.5-1.3MM2 NPST](#)

Japanese

CAD Files

[3D PDF](#)

3D

Customer View Model

[ENG_CVM_CVM_1742669-1_A.2d_dxf.zip](#)

English

Customer View Model

[ENG_CVM_CVM_1742669-1_A.3d_igs.zip](#)

English

Customer View Model

[ENG_CVM_CVM_1742669-1_A.3d_stp.zip](#)

English

By downloading the CAD file I accept and agree to the [Terms and Conditions](#) of use.

Datasheets & Catalog Pages

[Positive Lock Receptacles](#)

English

Product Specifications

[Application Specification](#)

English

Product Environmental Compliance

[TE Material Declaration](#)

1742669-1

Quick Disconnects, Receptacle, 20 – 16 AWG Wire Size, .51 – 1.31 mm² Wire Size,
Mating Tab Width 4.75 mm [.187 in], Straight, Steel, Positive Lock 187



English