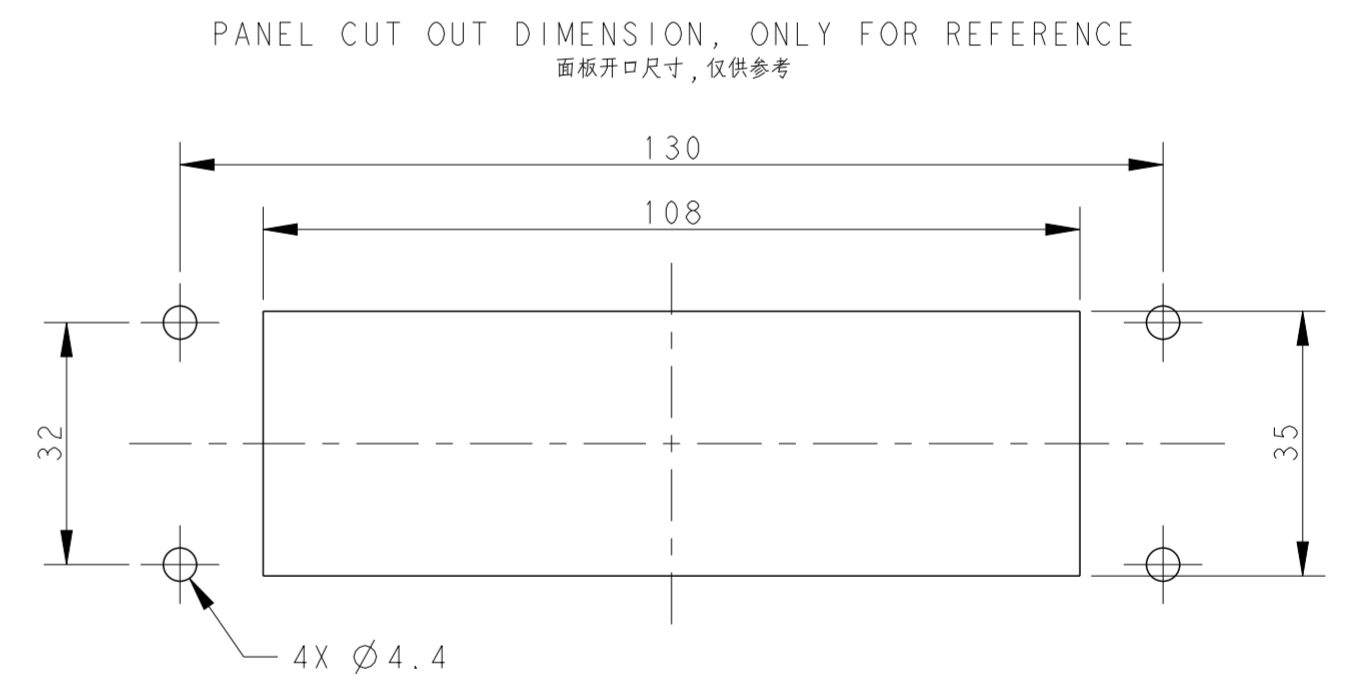
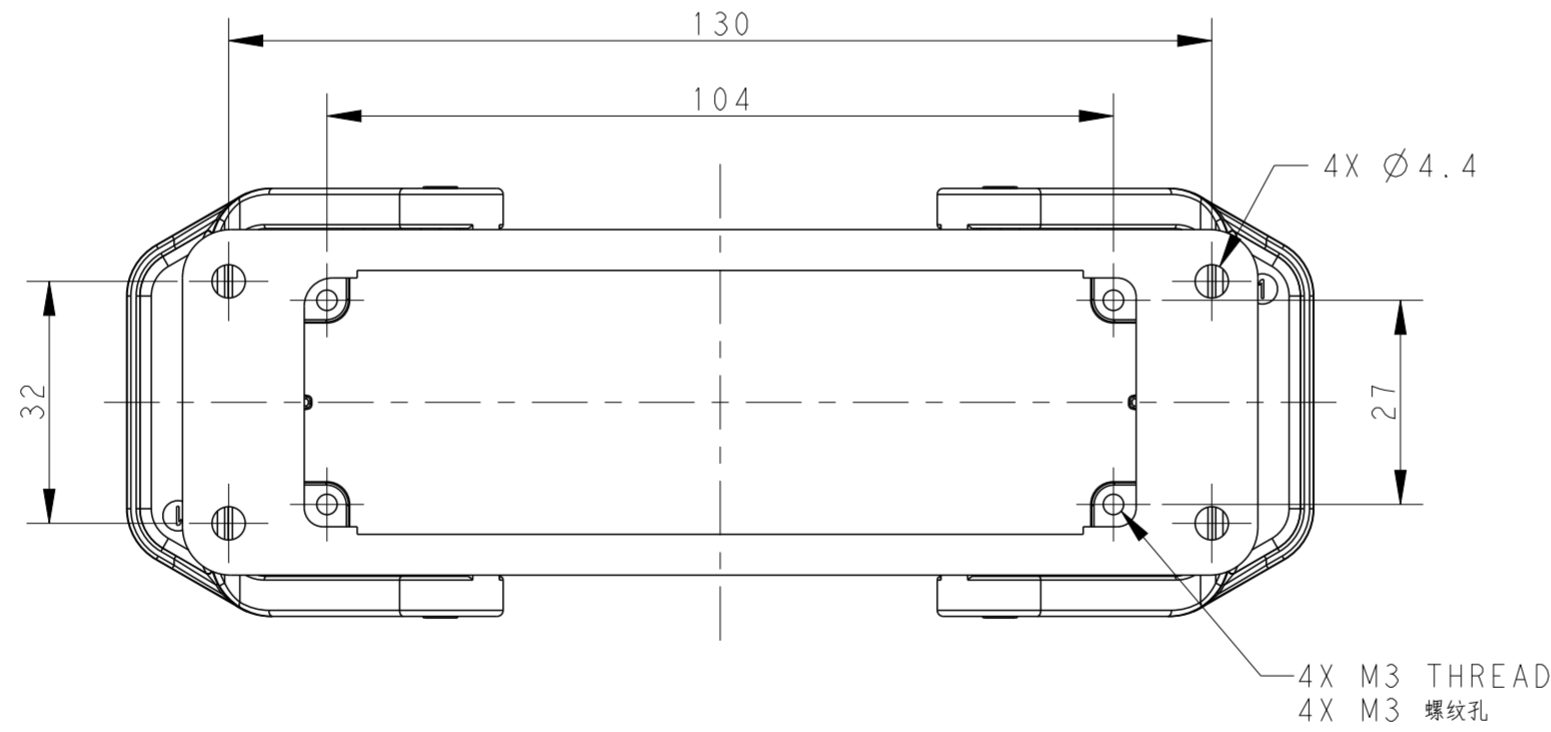
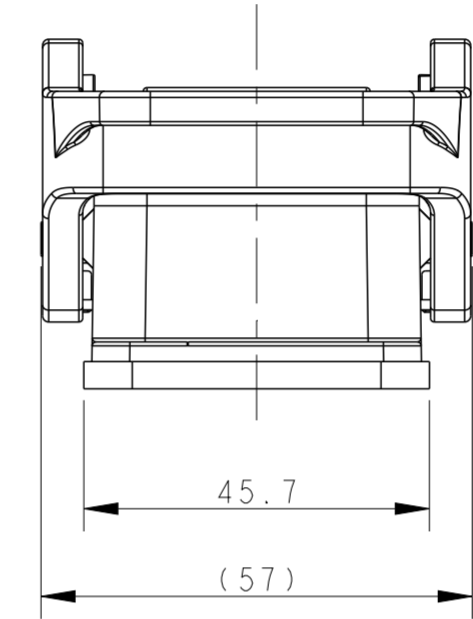
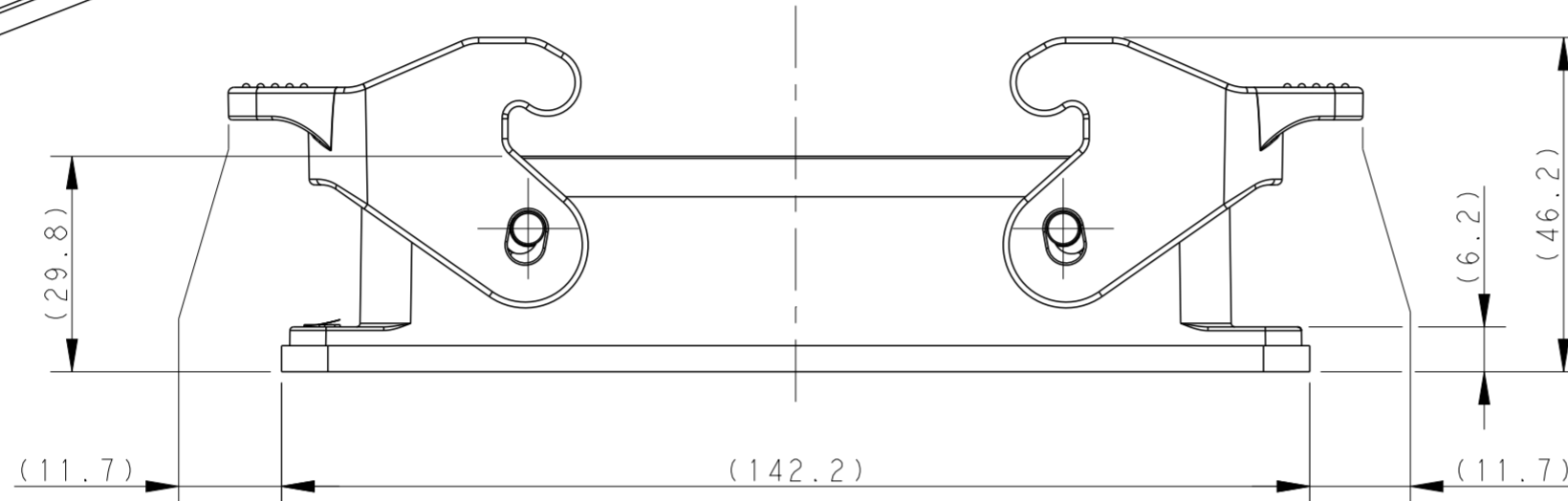
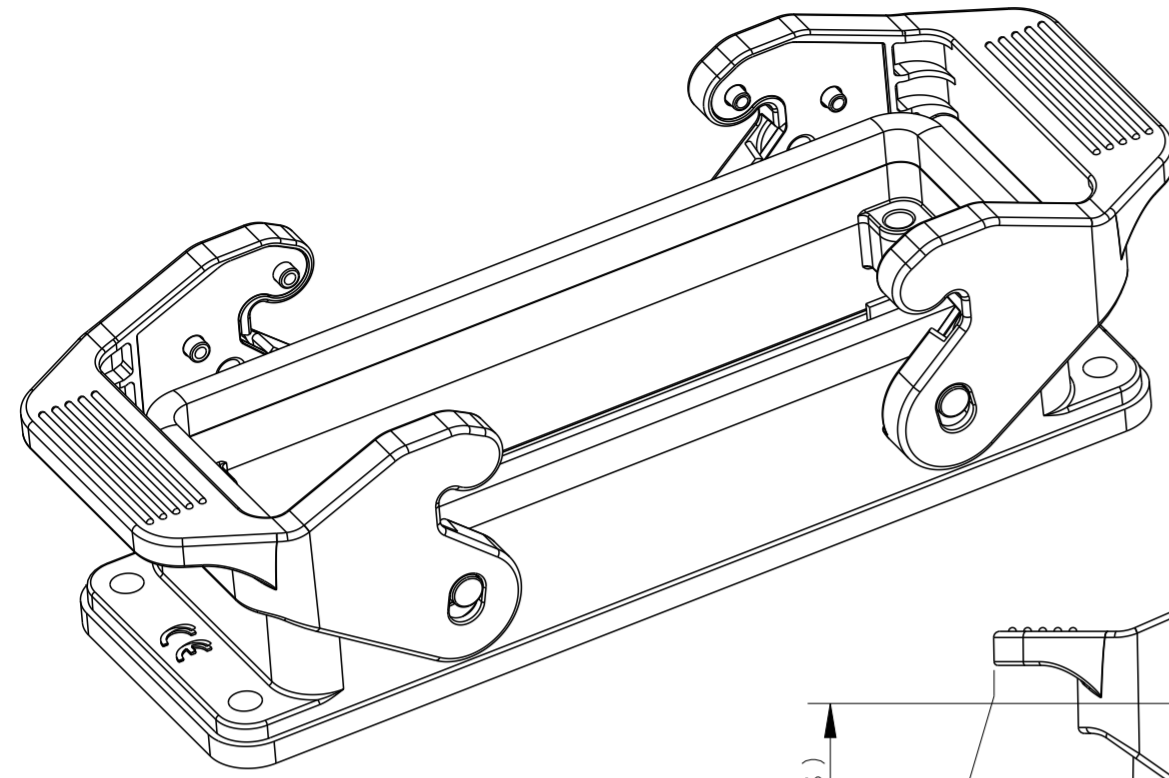


THIS DRAWING IS UNPUBLISHED. RELEASED FOR PUBLICATION 20
 © COPYRIGHT 20 BY - ALL RIGHTS RESERVED.

REVISIONS					
P	LTR	DESCRIPTION	DATE	DWN	APVD
A		INITIAL RELEASE	12JUN2015	DL	CW
A1		ECR-17-002960	06APR2017	DW	CW
B		ECR-21-108563	02AUG2021	WOR	CW
B1		ECR-23-175264	15MAY2023	AC	CW



NOTES:
 1. TECHNICAL CHARACTERISTICS:
 HOUSING MATERIAL: DIE CAST ALUMINIUM ALLOY
 HOUSING SURFACE: POWDER COATED, GREY
 DEGREE OF PROTECTION: IP65 (MATED)

注释:
 1. 技术参数:
 下壳材料: 铝合金
 下壳表面处理: 灰色粉末涂层
 防护等级: IP65 (配合)

TI410240000-000	H24B-AG-SL	H24B HOUSING, BULKHEAD MOUNTED, PLASTIC DOUBLE LOCKING POWDER COATED, GREY H24B下壳, 开孔安装, 塑料双扣, 灰色粉末喷涂
PART NUMBER 零件料号		PART DESCRIPTION 零件描述

THIS DRAWING IS A CONTROLLED DOCUMENT.		DWN DAVID LI 12JUN2015	STE TE Connectivity	
		CHK CHRIS WANG 12JUN2015		
		APVD XIANG XU 12JUN2015	NAME H24B-AG-SL	
DIMENSIONS: mm		PRODUCT SPEC 108-137018	SIZE A2	
TOLERANCES UNLESS OTHERWISE SPECIFIED:		APPLICATION SPEC 114-137018	CAGE CODE -	
0 PLC ±		WEIGHT -	DRAWING NO. C-T141024000000	
1 PLC ±		RESTRICTED TO		
2 PLC ±		CUSTOMER DRAWING		
3 PLC ±		SCALE 1:1		
4 PLC ±		SHEET 1 OF 1		
ANGLES ±		REV B1		
FINISH -				