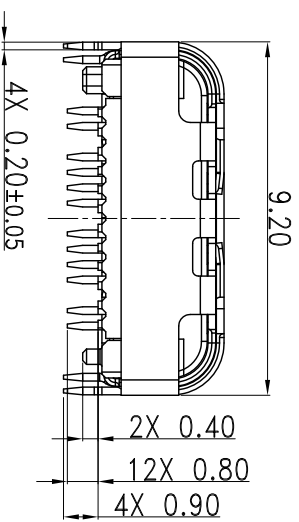
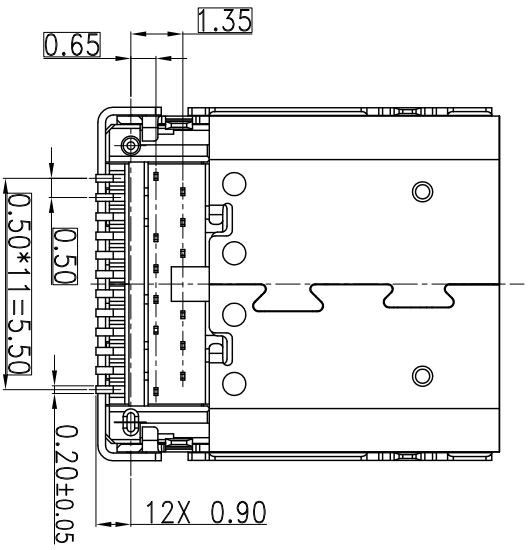
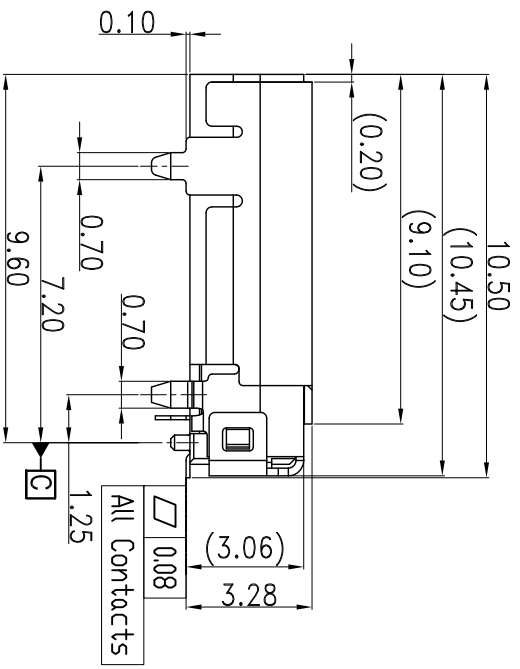
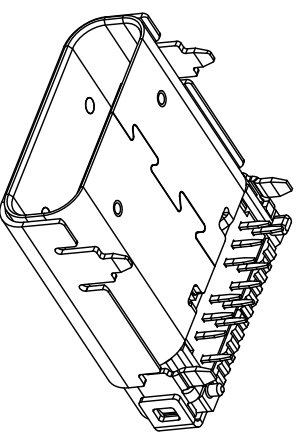


SECTION A-A



Pin No	Signal Name	Mating Sequence	Pin No	Signal Name	Mating Sequence
A1	GND	First	B12	GND	First
A2	TX1+	Second	B11	RX1+	Second
A3	TX1-	Second	B10	RX1-	Second
A4	Vbus	First	B9	Vbus	First
A5	CC1	Second	B8	SBU2	Second
A6	D+	Second	B7	D-	Second
A7	D-	Second	B6	D+	Second
A8	SBU1	Second	B5	CC2	Second
A9	Vbus	First	B4	Vbus	First
A10	RX2-	Second	B3	TX2-	Second
A11	RX2+	Second	B2	TX2+	Second
A12	GND	First	B1	GND	First
SHELL GND			SHELL GND		



GENERAL TOLERANCE FILE NO. 12401548

PART NO. 12401548XX12A

DRAWN BC.Wei

MATERIAL

SCALE 1:1

X.±0.50 X.±5° REV. X1

TITLE USB TYPE C CONNECTOR HYBRID

CHECKED Weison.lu

DATE 02/22/2019

UNIT mm

.xx±0.38 .xx±2° SIZE A4

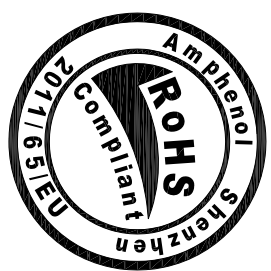
SHEET 1 OF 2

APPROVED Tom

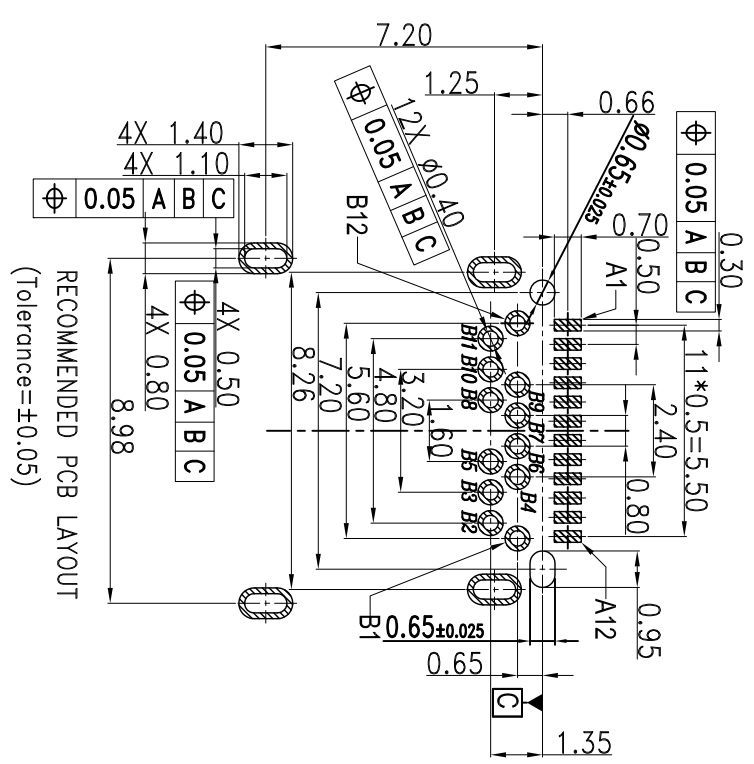
Amphenol Shouhmin Industry

REV.	EQN NO.	MODIFY CONTENT	DATE
X1	1902****	NEW RELEASE	02/22/19

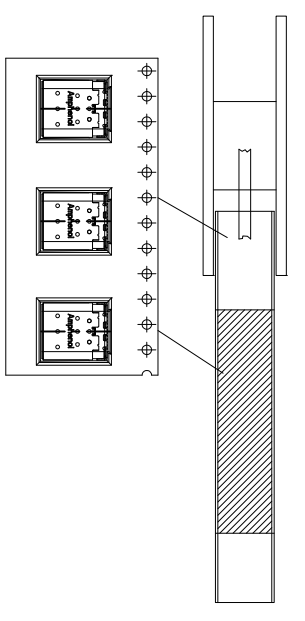
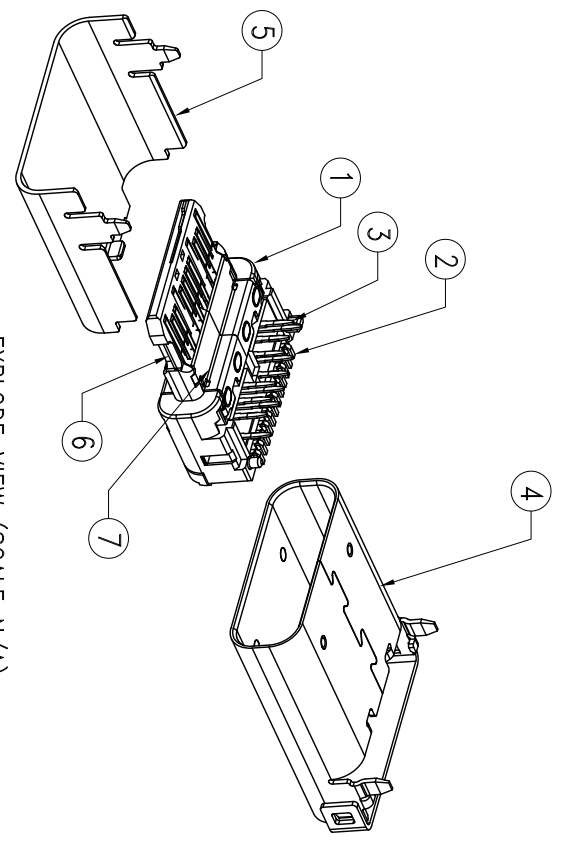
REV.	EQ. NO.	MODIFY. CONTENT	DATE
		SEE PAGE 1	



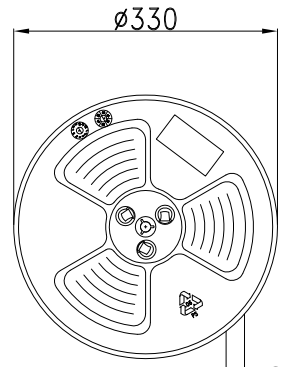
- NOTES:
1. MATERIAL :SEE TABLE
 2. COPLANARITY : 0.10 Max.
 3. ELECTRICAL CHARACTERISTICS
LOW LEVEL CONTACT RESISTANCE: 40mΩ Max
INSULATION RESISTANCE:100MΩ Min
DIELECTRIC WITHSTANDING VOLTAGE:100 VAC:
CONTACT CURRENT RATING:5A Max
 4. MECHANICAL CHARACTERISTICS
INSERTION FORCE: 5~20N
EXTRACTION FORCE: 8~20N
AFTER DURABILITY EXTRACTION FORCE: 6~20N
 5. DURABILITY: 10000 CYCLES
 6. PACKAGING TYPE: CARRIER TAPE.
 7. MATERIAL SHOULD BE FILLED AMPHENOL SPEC# SSN002 AND CUSTOMER REQUIREMENTS, FOR HALOGEN FREE PRODUCTS, ALSO NEED TO MEET SSN004
 8. Part Number:12401548XX12A



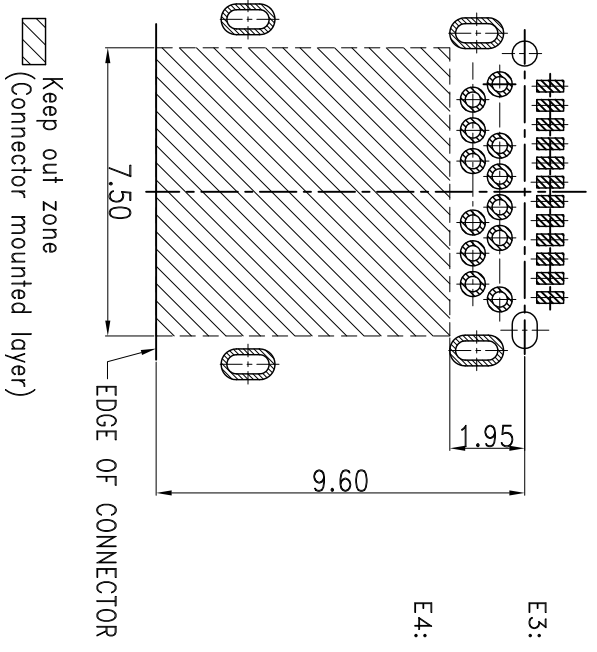
EXPLODE VIEW (SCALE N/A)



customer unwinding direction



PACKING:
1. 800 PCS/REEL.
2. 8 REEL/CARTON.



- Plating Spec:
- E2: Mating Area: Gold flash
Solder Area: 100u" Min Matte Tin
50u" Min Nickel Under Plating Over All
 - E3: Mating Area: Au 15u" Min
Solder Area: 100u" Min Matte Tin
50u" Min Nickel Under Plating Over All
 - E4: Mating Area: Au 30u" Min
Solder Area: 100u" Min Matte Tin
50u" Min Nickel Under Plating Over All

ITEM	DESCRIPTION	Q'TY	MATERIAL
7	EMC	2	STAINLESS STEEL
6	MID PLATE	1	STAINLESS STEEL
5	OUT SHELL	1	STAINLESS STEEL
4	MAIN SHELL	1	STAINLESS STEEL
3	BOTTOM TERMINAL	1	COPPER ALLOY
2	TOP TERMINAL	1	COPPER ALLOY
1	MOLDING HOUSING	1	HIGH TEMPERATURE PLASTIC

BILL OF MATERIAL			
MATERIAL	SCALE	1:1	
DATE	02/22/2019	UNIT	mm

BC.Wei

Weison.lu

Tom

GENERAL TOLERANCE FILE NO. 12401548

x.±0.50 x.±5° REV. X1

.x±0.38 .x±2° SIZE A4

.xx±0.25 .xx±1°

PART NO. 12401548XX12A

TITLE USB TYPE C CONNECTOR HYBRID

SHEET 2 OF 2

DRAWN BC.Wei

CHECKED Weison.lu

APPROVED Tom