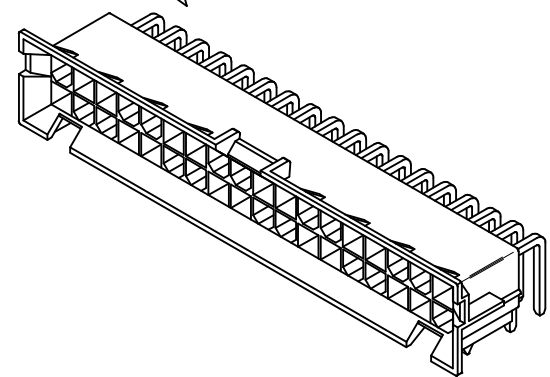


- NOTES:
- MATERIAL
HOUSING: "A" = UNFILLED POLYESTER. COLOR: BLACK
TERMINAL MATERIAL: BRASS
 - FINISH
A = .000100/(.00254) MIN. MATTE TIN OVER
.000050/(.00127) MIN. NICKEL OVERALL.
B = .000030/(.00076) MIN. SELECT GOLD,
.000100/(.00254) MIN. SELECT MATTE TIN OVER
.000050/(.00127) MIN. NICKEL OVERALL.
 - PRODUCT SPECIFICATION: PS-43759-001
 - PART MATES WITH MINI-FIT JR. RECEPTACLE 439740003, 445160013 & 437600001.
 - PARTS ARE NOT DESIGNED FOR CURRENT SHARING.
 - PART ALLOWS FOR .050/(1.27) MISALIGNMENT WITH MATING RECEPTACLE IN ANY DIRECTION. SEE MATING CONNECTOR DRAWINGS FOR SPECIFIC ALLOWANCES.
 - CONNECTOR ASSEMBLIES ARE NOT TO BE MATED OR UNMATED WHILE CIRCUITS ARE LIVE.
 - CIRCUITS SHOWN PROVIDE THE "MATE-FIRST/BREAK-LAST" FEATURE.
 - PARTS TO BE PACKAGED PER PACKAGING SPEC. PK-42404-002.
 - DISCOLORATION IN THE BANDOLIER CARRIER AREA OF THE PIN IS INHERENT TO THE PLATING PROCESS AND IS DUE TO THE MASKING EFFECT OF THE CARRIER. THIS DISCOLORATION IS IN A NON-FUNCTIONAL AREA OF THE PIN AND DOES NOT AFFECT THE PERFORMANCE OF THE HEADER ASSEMBLY.
 - THIS PART CONFORMS TO CLASS B REQUIREMENTS OF COSMETIC SPECIFICATION PS-45499-002, EXCEPT CLASS "C" ON BOTH SIDE RIBS.
 - FORMING MARKS ARE ACCEPTABLE



VOID EC NO: UCP2016-1782 DRWN: MONTI 2015/10/27 CHKD: JELL 2015/10/27 APPR: FSMITH 2015/11/12 REV:	QUALITY SYMBOLS	GENERAL TOLERANCES (UNLESS SPECIFIED)	DIMENSION STYLE	SCALE	DESIGN UNITS	THIRD ANGLE PROJECTION
	▽=0	mm INCH	IN/MM	2:1	METRIC	RIGHT ANGLE PROJECTION
	▽=0	4 PLACES ± --- ± ---	DRAWN BY DATE	TITLE	RIGHT ANGLE HEADER ASSY	
	▽=0	3 PLACES ± --- ± .010	CSTWEART 2003/03/11	36 CIRCUIT	MINI-FIT BMI	
		2 PLACES ± 0.25 ± .015	CHECKED BY DATE	MOLEX INCORPORATED		
		1 PLACE ± 0.38 ± ---	MARGULIS 2003/03/18	SD-45567-001		
		ANGULAR ±1/2°	APPROVED BY DATE	SHEET NO. 1 OF 2		
			MARGULIS 2003/03/18	THIS DRAWING CONTAINS INFORMATION THAT IS PROPRIETARY TO MOLEX INCORPORATED AND SHOULD NOT BE USED WITHOUT WRITTEN PERMISSION		
			MATERIAL NO.			
			DOCUMENT NO.			
			SEE CHART			

13	12	11	10	9	8	7	6	5	4	3	2	1																										
ITEM NO.	CKT. SIZE	LETTER INDICATES PIN PLATING AND LENGTH REQUIRED AT EACH CIRCUIT LOCATION. SEE CHARACTERISTICS LEGEND.																																				
		1	2	3	4	5	6	7	8	9	10	11	12	13	14	15	16	17	18	19	20	21	22	23	24	25	26	27	28	29	30	31	32	33	34	35	36	
455670001	36	AS	AS	AS	AS	AS	AS	AS	AS	AS	AS	AS	AS	AS	AS	AS	AS	AS	AS	AM	AM	AM	AM	AM	AM	AM	AM	AM	AM	AM	AM	AM	AM	AM	AM	AM	AM	AM
455670002	36	BS	BS	BS	BS	BS	BS	BS	BS	BS	BS	BS	BS	BS	BS	BS	BS	BS	BM	BM	BM	BM	BM	BM	BM	BM	BM	BM	BM	BM	BM	BM	BM	BM	BM	BM	BM	BM

TERMINAL PLATING AND LENGTH IDENTIFICATION

AS = TIN, STANDARD LENGTH
 BS = GOLD, STANDARD LENGTH
 AM = TIN, MAKE-FIRST/BREAK-LAST
 BM = GOLD, MAKE-FIRST/BREAK-LAST

SEE SHEET 1 EC NO: UCP2016-1782 DRWN: MONTI 2015/10/27 CHKD: BELL 2015/10/27 APPR: FSMITH 2015/11/12	QUALITY SYMBOLS	GENERAL TOLERANCES (UNLESS SPECIFIED)	DIMENSION STYLE	SCALE	DESIGN UNITS	THIRD ANGLE PROJECTION
	□ □ □	mm INCH 4 PLACES ± --- ± --- 3 PLACES ± --- ± .010 2 PLACES ± 0.25 ± .015 1 PLACE ± 0.38 ± --- ANGULAR ±1/2°	IN/MM	DRAWN BY DATE	TITLE	MOLEX INCORPORATED SD-45567-001 SHEET NO. 2 OF 2
			CSTWEART 2003/03/11	CHECKED BY DATE	RIGHT ANGLE HEADER ASSY 36 CIRCUIT MINI-FIT BMI	
			MARGULIS 2003/03/18	MARGULIS 2003/03/18		
DESCRIPTION	DRAFT WHERE APPLICABLE MUST REMAIN WITHIN DIMENSIONS	SEE CHART	MATERIAL NO.	DOCUMENT NO.		