

SAC-5P-1,5-PUR/AD-2L


This product has been replaced by a newer version.

Order No.: 1693487



<http://eshop.phoenixcontact.de/phoenix/treeViewClick.do?UID=1693487>

Sensor/Actuator cable, 5-position, PUR/PVC, Black RAL 9005, Free conductor end, on Valve plug A (pressure switch), with 2 LEDs, Cable length: 1.5 m

Commercial data	
GTIN (EAN)	 4 017918 173333
Note	Made-to-order
sales group	D113
Pack	1 pcs.
Customs tariff	85444290
Catalog page information	Page 90 (PC-2007)

Product notes

WEEE/RoHS-compliant since:
01/01/2008



<http://www.download.phoenixcontact.com>
Please note that the data given here has been taken from the online catalog. For comprehensive information and data, please refer to the user documentation. The General Terms and Conditions of Use apply to Internet downloads.

Certificates / Approvals

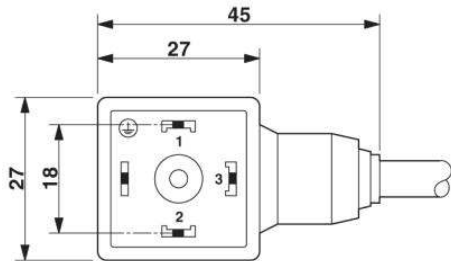


Certification

GOST

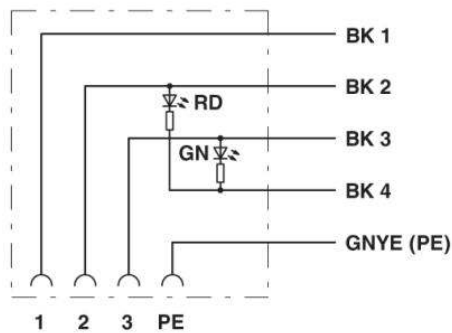
Diagrams/Drawings

Dimensioned drawing



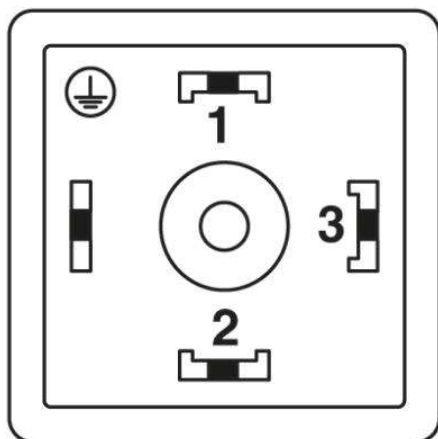
Valve plug type AD

Circuit diagram



Contact assignment of valve connector

Schematic diagram



Valve plug connector pin assignment, type AD

Address

PHOENIX CONTACT Deutschland GmbH
Flachmarktstr. 8
32825 Blomberg, Germany
Phone +49 5235 3 12000
Fax +49 5235 3 41200
<http://www.phoenixcontact.de>



© 2011 Phoenix Contact
Technical modifications reserved;