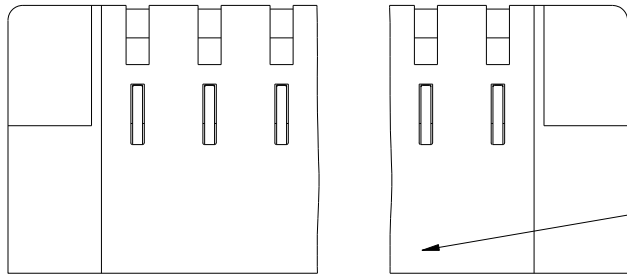


Tous droits strictement réservés. Reproduction ou communication a des tiers interdite sous quelque forme que ce soit sans autorisation écrite du propriétaire. Propriété de c FCI. Droits de reproduction FCI.

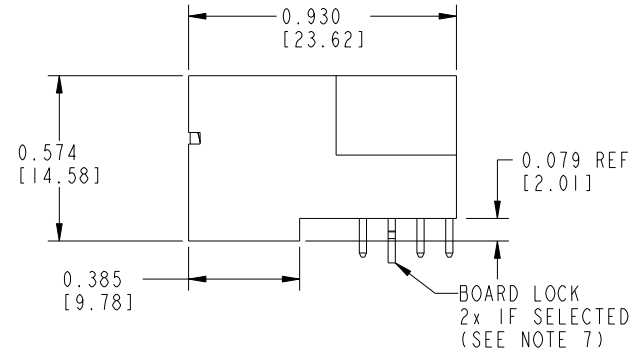
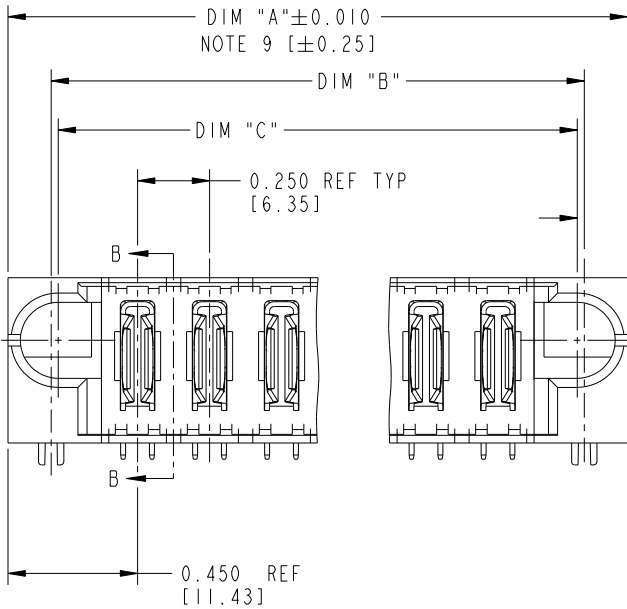
All rights strictly reserved. Reproduction or issue to third parties in any form whatever is not permitted without written authority from the proprietor. Property of FCI. Copyright FCI.



PRODUCT NUMBER
51723-ABB00000EF --
Note: ①
SEE NOTE 1



SEE NOTE 8



mat'l code				SEE NOTE 2		tolerances unless otherwise specified		CUSTOMER		 www.fciconnect.com	
ltr	ecn no.	dr	date	linear	.XX±.01/.X±.3		COPY		 title RIGHT ANGLE HEADER w/GUIDE PIN POWER		
A	V02387	JRW	10/03/00		.XXX±.005/.XX±.13		projection				
B	V12845	JWS	1/4/02	angles	.XXX±.0020/.XXX±.051		 INCH/MM		product family PWRBLADE code 213		
C	DG05-0132	SJ	06/02/05		0°±2°		scale 3:2		sheet 1 of 3		
D	DG05-0371	JMG	07/27/06	dr	LEV4	10/14/99	A 51723				
E	DG08-0237	W D	09/01/08	engr	J. BROWN	10/14/99					
F	DG08-0272	W D	09/25/08	chr	J. BROWN	10/14/99					
sheet index		revision sheet		F	F	F					
				1	2	3					

Pro/E

PDM: Rev:F

STATUS: Released

Printed: Dec 20, 2010

cage code 28526



1 | 2

3 |

4

PRODUCT NUMBER
51723-ABB00000EF -- Note: ①
SEE NOTE 1

DIM	LENGTH FORMULAS (SEE NOTE 9)
DIM "A"	.250 [6.35] x BB + .650 [16.51] (NOTE 9)
DIM "B"	.250 [6.35] x BB + .350 [8.89]
DIM "C"	.250 [6.35] x BB + .300 [7.62]
DIM "F"	.250 [6.35] x BB + .680 [17.27]

CONNECTOR NOTES:

- ①. PRODUCT NUMBER CODE:
51723 - A BB 000 00 E F LF
- NO THIS SUFFIX: 100u"/2.54um SnPb ON PCB INTERFACE
 - ADD THIS SUFFIX: 78u"/2.00um Sn ON PCB INTERFACE
 - RETENTION TO PCB (NOTE 7)
 - TAIL OPTIONS (NOTE 6)
 - ALWAYS '00' (ZERO,ZERO)
 - ALWAYS '000' (ZERO,ZERO,ZERO) (NOTE 5)
 - NUMBER OF POWER CONTACTS (NOTE 4)
 - PLATING (NOTE 3)
 - BASE NUMBER

- ②. HOUSING MATERIAL: GLASS FILLED V-0 HIGH TEMP THERMO PLASTIC
POWER CONTACT MATERIAL: COPPER ALLOY
- ③. PLATING OPTION:
SEE PRINT OF 10064183 FOR PLATING SPEC OF 51723-1BB00000EF; 51723-1BB00000EFLF
- ④. POWER CONTACTS, 01 TO 20 AVAILABLE.
MAXIMUM OF 20 POWER CONTACTS PER CONNECTOR
- ⑤. THIS PART IS NOT AVAILABLE WITH SIGNAL CONTACTS.
- ⑥. TAIL OPTIONS:
A = .135±0.010 [3.43±0.25] SOLDER TO BOARD
C = .135±0.010 [3.43±0.25] PRESS FIT

- ⑦. RETENTION TO PCB OPTIONS:
A = BOARD LOCK (REQUIRES .098 + 0.002, - 0.001 [2.49 + 0.05, - 0.03] THRU HOLE IN PCB).
B = 0.150 [3.81] THRU HOLE (REQUIRES 0.158±0.003 [4.01±0.08] THRU HOLE IN PCB).
- ⑧. MANUFACTURE'S NAME, P/N, AND DATE CODE TO APPEAR ON THIS SURFACE.
- ⑨. THE MAXIMUM OVERALL LENGTH (DIM A) OF A PART IS 8.00 [203.2].
10. PRODUCT SPECIFICATION GS-12-149.
11. REFERENCE 51697 FOR SPECIALS WORKSHEET.
- PCB NOTES:
12. ALL DIMENSIONS ARE BASIC UNLESS OTHERWISE SPECIFIED.
13. ALL THROUGH HOLES ARE LOCATED WITH A TRUE POSITION OF 0.004 [0.10].
14. ALL HOLE DIAMETERS ARE FINISHED HOLE SIZE.
15. Ø0.0453±0.001 [1.151±0.02] DRILLED HOLES PLATED WITH 0.0003 [0.007] MIN SnPb OVER 0.001 [0.03] TO 0.003 [0.08] PLATING TO ACHIEVE A 0.040±0.003 [1.02±0.08] HOLE.
16. A \triangle SYMBOL WILL BE NEXT TO ANY DIMENSION, VIEW, OR NOTE WHICH HAS BEEN MODIFIED WITH THE CURRENT DRAWING REVISION.

A

A

B

B

mat'l code				SEE NOTE 2		tolerances unless otherwise specified		CUSTOMER		FCI		www.fciconnect.com				
lfr	ecn no.	dr	date	linear	.XX±.01/.X±.3		COPY				title		RIGHT ANGLE HEADER w/GUIDE PIN POWER			
F					.XXX±.005/.XX±.13		projection				product family		PWRBLADE		code	
					.XXX±.0020/.XXX±.051						size		dwg no		213	
				angles	0°±2°		INCH/MM		scale		A		51723			
				dr	LEV4	10/14/99	3:2						sheet			
				engr	J. BROWN	10/14/99							2 of 3			
				chr	J. BROWN	10/14/99										
				appd	J. BROWN	10/14/99										
sheet index		revision sheet														

1 | 2

Pro/E

PDM: Rev:F

STAT: Released

Printed: Dec 20, 2010

cage code 28556

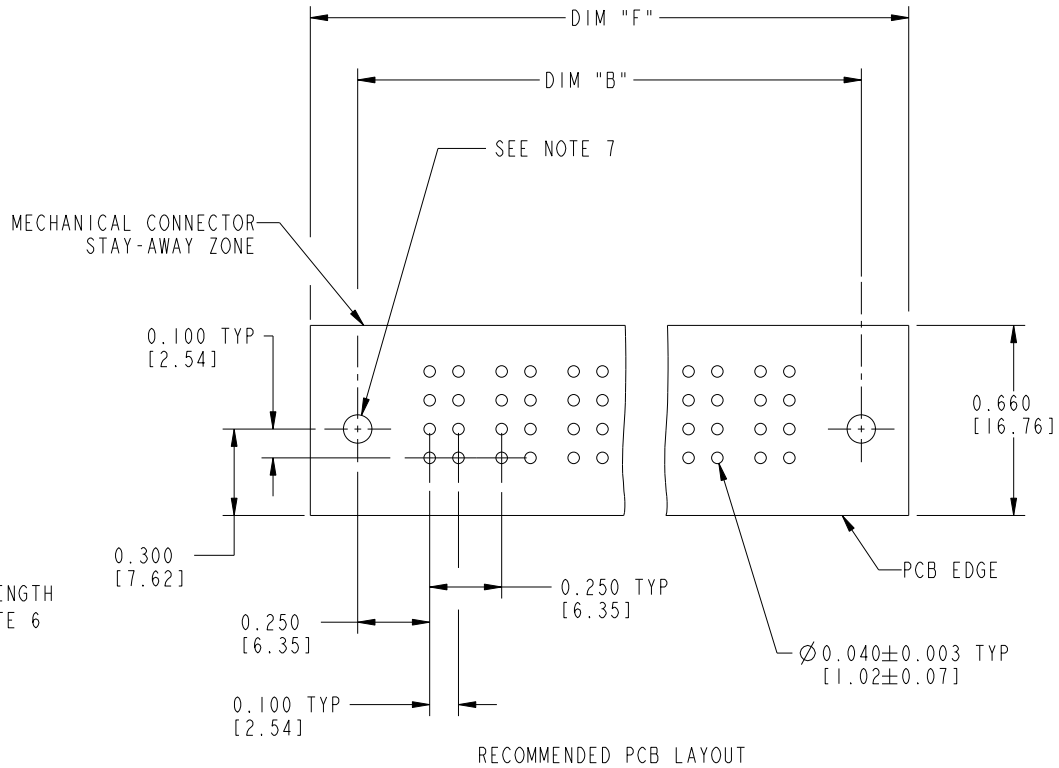
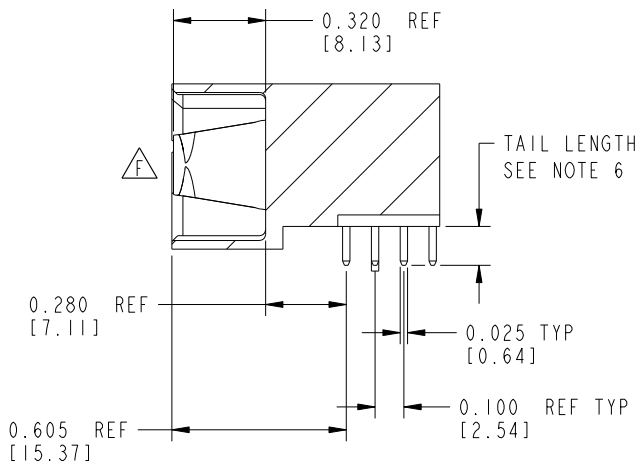
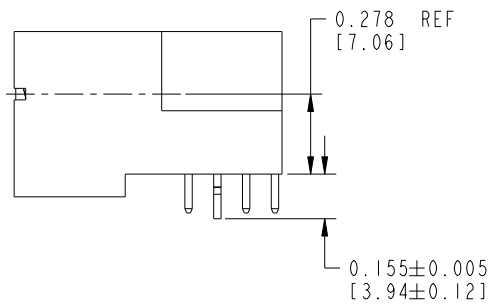
4

Tous droits strictement réservés. Reproduction ou communication a des tiers interdite sous quelque forme que ce soit sans autorisation écrite du propriétaire. Propriété de c FCI. Droits de reproduction FCI.

All rights strictly reserved. Reproduction or issue to third parties in any form whatever is not permitted without written authority from the proprietor. Property of FCI. Copyright FCI.



PRODUCT NUMBER
51723-ABB00000EF--
Note: ①



SECTION B-B

mat'l code		SEE NOTE 2		tolerances unless otherwise specified		CUSTOMER		FCI	
ltr	ecm no.	dr	date	linear	.XX±.01/.X±.3	COPY		www.fciconnect.com	
F					.XXX±.005/.XX±.13	projection		title	
				angles	.XXX±.0020/.XXX±.051			RIGHT ANGLE HEADER w/GUIDE PIN POWER	
				dr	0°±2°	INCH/MM		product family	
				enrg	LEV4 10/14/99	scale		PWRBLADE	
				chr	J. BROWN 10/14/99	3:2		code	
				appd	J. BROWN 10/14/99	A		213	
sheet index		revision sheet				size		dwg no	
						A		51723	
								3 of 3	

Pro/E

PDM: Rev:F

STATUS: Released

Printed: Dec 20, 2010

cage code 28536