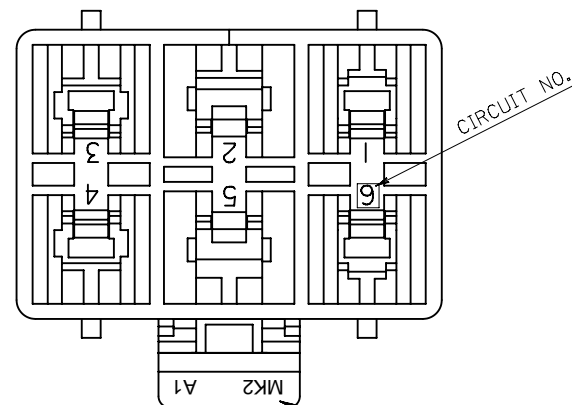
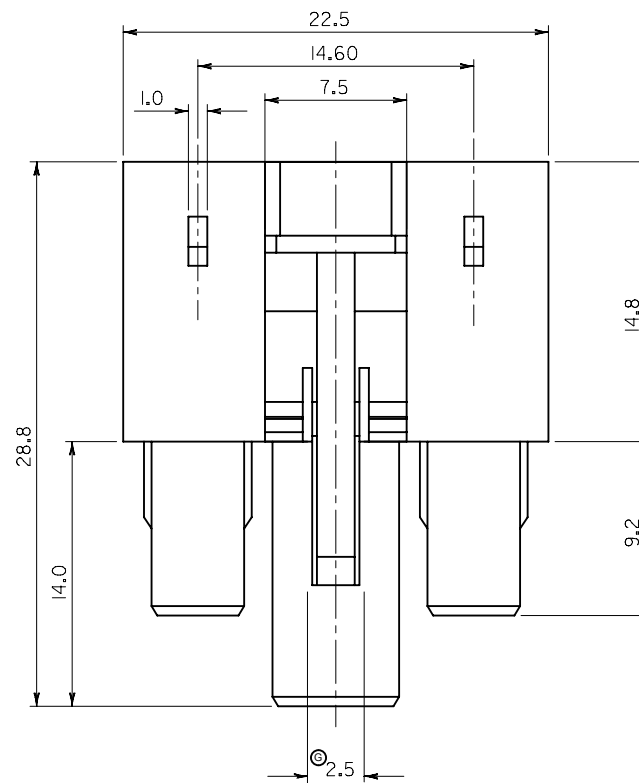
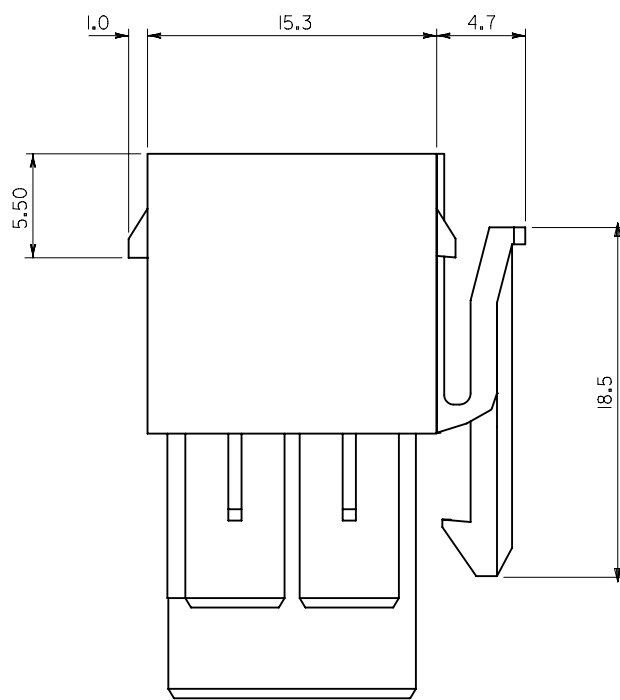
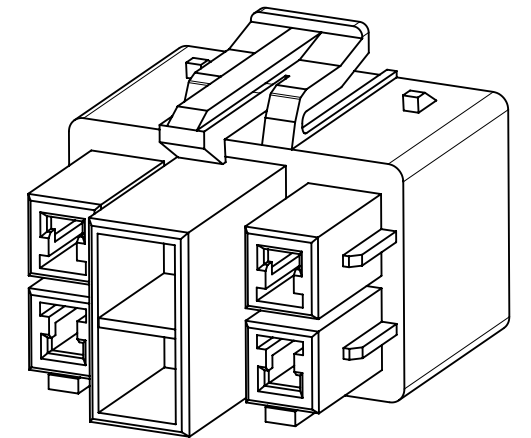


VIEW "A"



Ⓔ TOOL & CAVITY NO (TOOL:A,B.. CAV:1,2..) TRADE MARK (MK2)



NOTES

- MATERIAL AND COLOR : SEE "[TABLE]"
- MATED HOUSING : 35150-\*60\*/35150-\*61\*  
35150-039\* (TPA)
- APPLICABLE TERMINAL : 35745-\*\*\*\* (2,5 CIRCUIT)  
35746-\*\*\*\* (3,4 CIRCUIT)  
Ⓔ 35748-\*\*\*\* (1,6 CIRCUIT)

No.	PRODUCT	MATERIAL
1	35151-0610 NATURAL	POLYESTER PBT (UL94V-0)
2	35151-0614 BLUE	
3	35151-0619 NATURAL	PC/PET (UL94V-0)
4	35151-3619 YELLOW	
5	35151-4619 BLUE	

THIS DRAWING CONTAINS INFORMATION THAT IS PROPRIETARY TO MOLEX ELECTRONIC TECHNOLOGIES, LLC AND SHOULD NOT BE USED WITHOUT WRITTEN PERMISSION											
DIMENSION UNITS		SCALE		CURRENT REV DESC: OBSOLETE PART NUMBER							
mm		1:1									
GENERAL TOLERANCES (UNLESS SPECIFIED)				EC NO: 644856		DRWN: RPRABHUM		2020/06/25		<b>7.3 PITCH W/W FEMALE HOUSING-6P</b>	
				CHK'D: GGA		2020/10/07					
				APPR: GGA		2020/10/07		PRODUCT CUSTOMER DRAWING			
4 PLACES ±				INITIAL REVISION:		DRWN: WY.YANG		1992/09/14		DOCUMENT NUMBER	
3 PLACES ±				APPR:				SD-35151-061X		DOC TYPE DOC PART REVISION	
2 PLACES ± 0.15				DRAFT WHERE APPLICABLE MUST REMAIN WITHIN DIMENSIONS		THIRD ANGLE PROJECTION		DRAWING		SERIES	
1 PLACE ± 0.2								A3-SIZE		35151	
0 PLACES ±								MATERIAL NUMBER		CUSTOMER	
ANGULAR TOL ± 0.5°								SEE TABLE		GENERAL MARKET	
								SHEET NUMBER		1 OF 1	