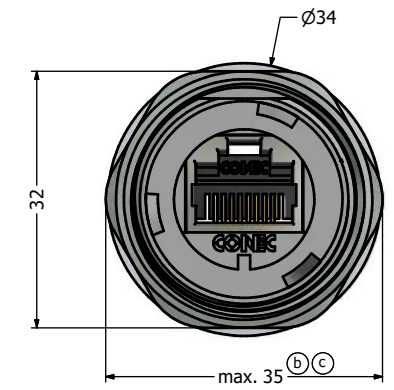
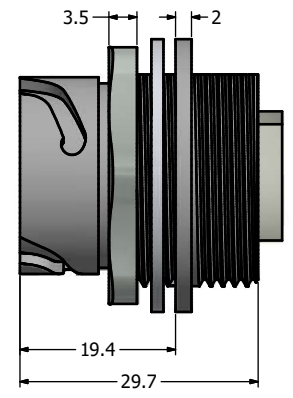
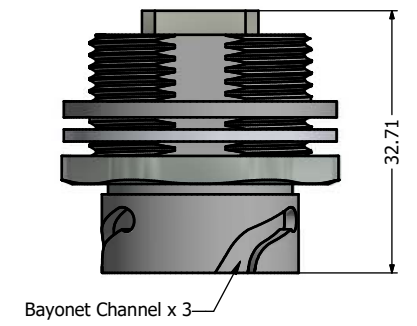
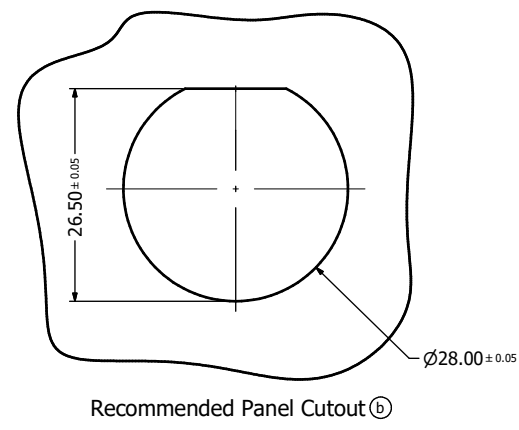
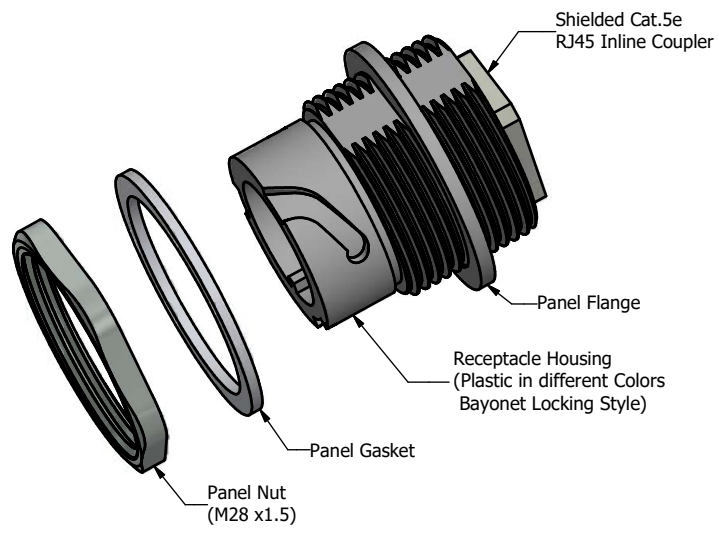


6 5 4 3 2 1



Notes:

- Electrical Specifications:
 - Meets EIA/TIA-568-B.2 Cat.5e Specification
 - Contact Resistance: 20mOhm max.
 - Insulation Resistance: 500MOhm min. @ 100 VDC
 - Current Rating: 1.2A max. at 25° C
 - Working Voltage: 100 VDC
 - DWV: 1000 VDC/60s Contact to Contact, 1500 VDC/60s Contact to Metal Shell
 - Operating Temperature: -40° C to +85° C
- Material and Finish:
 - Receptacle Housing: Polyester (Color: see Part Number Table); UL94 V-0
 - Panel Nut: Brass, Finish: Nickel Plated
 - Panel Gasket: Silicon, Color: White
 - Cat.5e RJ45 Inline Coupler Metal Shell: Copper Alloy, Nickel Plated
 - Cat.5e RJ45 Inline Coupler Plastic Housing: Glass filled PBT UL94 V-0, Color: Black
 - Cat5e RJ45 Inline Coupler Contacts: Phosphor Bronze, Finish: 50u" Gold min. over Nickel
- Connector can be front or rear mounted to a maximum panel thickness of 3.2mm.
- IP67 rated when covered or fully mated with the appropriate mating connector
- RoHS compliant

Description	Colored Plastic Receptacle Housing with Shielded Cat.5e RJ45 Inline Coupler					
Plastic Receptacle Housing Color	Black	Blue	Green	Yellow	Red	White
Part Number	17-10009	17-102274	17-102284	17-102294	17-102304	17-102314

THIS DRAWING MAY NOT BE COPIED OR REPRODUCED IN ANY MANNER WITHOUT THE WRITTEN PERMISSION OF CONEC CORPORATION. OWNERSHIP AND COPYRIGHT OF CONEC CORPORATION.	Customer:			Tolerance Unless otherwise specified		Autodesk Inventor	Scale: 1.5:1	Dim. in mm
	Name	Title	Approval Date	0 PLC ±0.50	1 PLC ±0.38		Material: See Notes Title: Receptacle Assembly Kit Colored Plastic Receptacle Housing with Shielded Cat. 5e RJ45 Inline Coupler	
				2 PLC ±0.25	3 PLC ±0.10			
				Norm	ANGLES ±3°			
	1 x c	A21-0426	26.10.2021	Bub	2011	Date	Name	Drawing No.: 17K1A180 Part No.: SEE ABOVE TABLE
b		Mar/08/2011	Vincent Ke	Draw.	Jan. 08	Vincent Ke	Sheet 1/1	
a	original			Appd.	Jan. 28	J. Chaudry		
Rev	Changes	Date	Name	Norm				



RoHS compliant

6 5 4 3 2 1