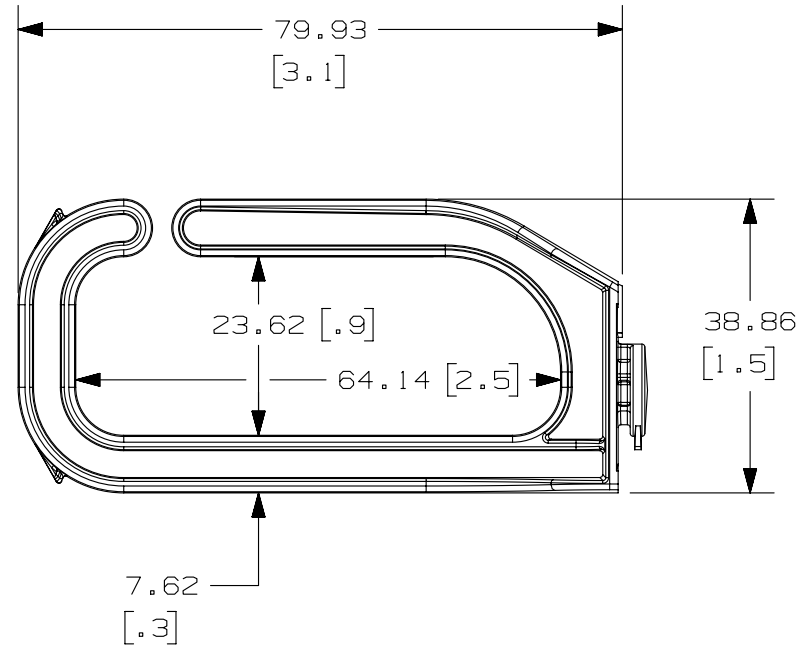
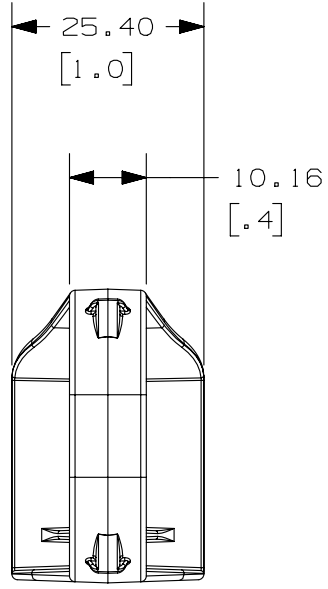
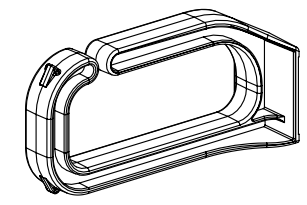


THIS COPY IS PROVIDED ON A RESTRICTED BASIS AND IS NOT TO BE USED IN ANY WAY DETRIMENTAL TO THE INTERESTS OF PANDUIT CORP.

PANDUIT P/N	WEIGHT
S1DR	90.72 Kg/EACH 0.20 LBS/EACH



- NOTES:
- VISIT OUR ON-LINE CATALOG AT WWW.PANDUIT.COM FOR A LIST OF CURRENT PARTS APPLICABLE FOR USE WITH THIS PRODUCT.
 - PRIMARY DIMENSIONS ARE IN MILLIMETERS (mm).
 - PARTS SUPPLIED:
(8) - CMDRH1 D-RING
(1) - INSTRUCTION SHEET
 - COMPATIBLE WITH S2BRK12 AND S2BRK6.



OOA	7-11-13	PBS	RCHA	JDWE	RELEASED TO PRODUCTION				12V343ZJ-DC
REV	DATE	BY	CHK	APR	DESCRIPTION	ECN			

TITLE				S1DR D-RING KIT			
CUSTOMER DRAWING							
ITEM REVISION NAME				12V343ZJ/00.PRT			
DATASET FILE NAME				12V343ZJ_DC/00A.PRT			
UNLESS OTHERWISE SPECIFIED, DIMENSIONAL TOLERANCES ARE:				MATERIAL/COLOR:			
INCHES	+/- 0.03	METRIC - MILLIMETER	X. +/- 0.8	ANGLE			
X.XX	+/- 0.018	X.X	+/- 0.46	+/- 1°			
X.XXX	+/- 0.007	X.XX	+/- 0.18				
DRAWING NUMBER:				12V343ZJ-DC			
DRAWN BY		DATE		CHK		SCALE	
PBS		7-11-13		RCHA		NONE	
THIRD ANGLE PROJECTION				SHT 1 OF 1			
				SIZE			
				A			