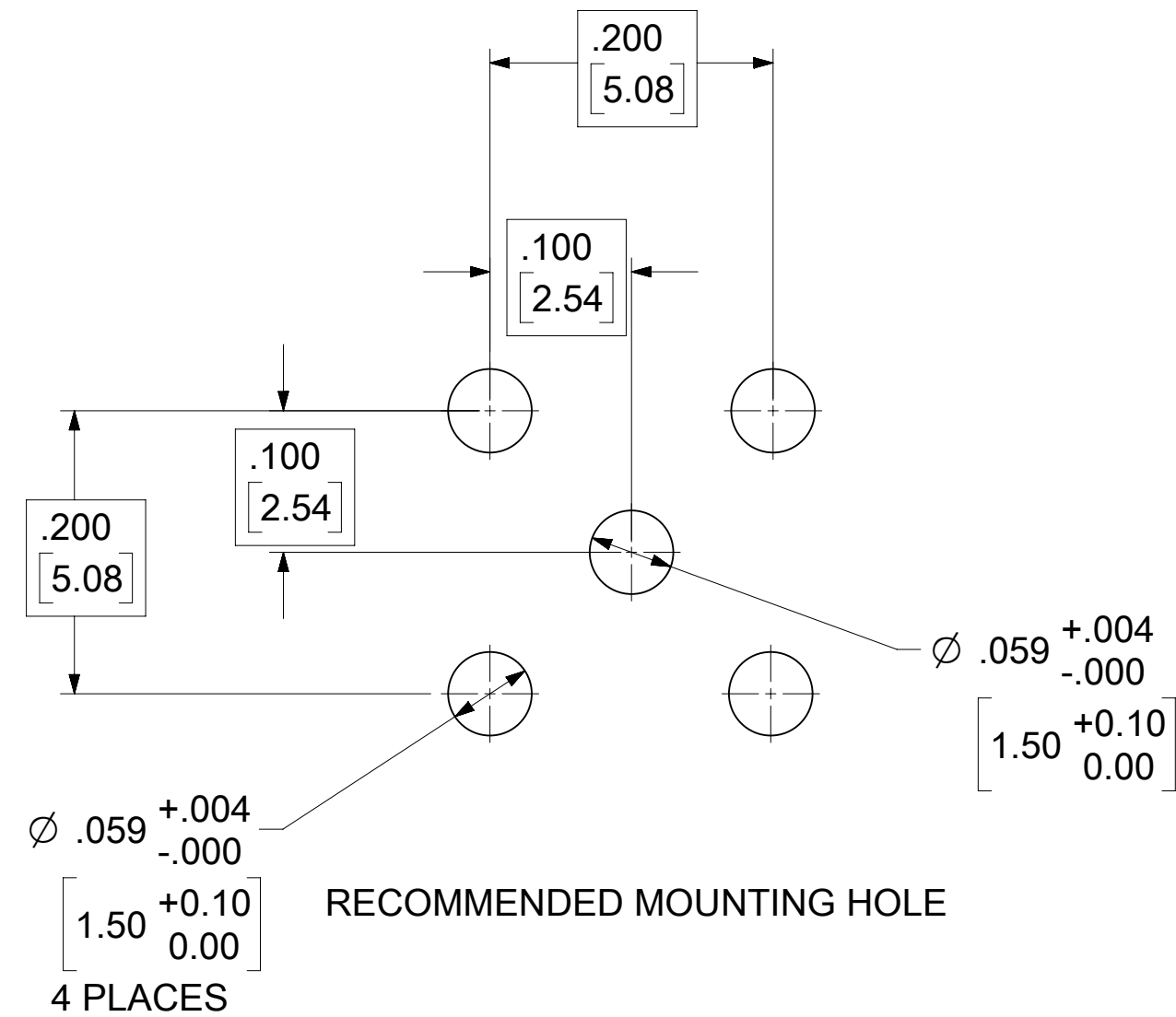
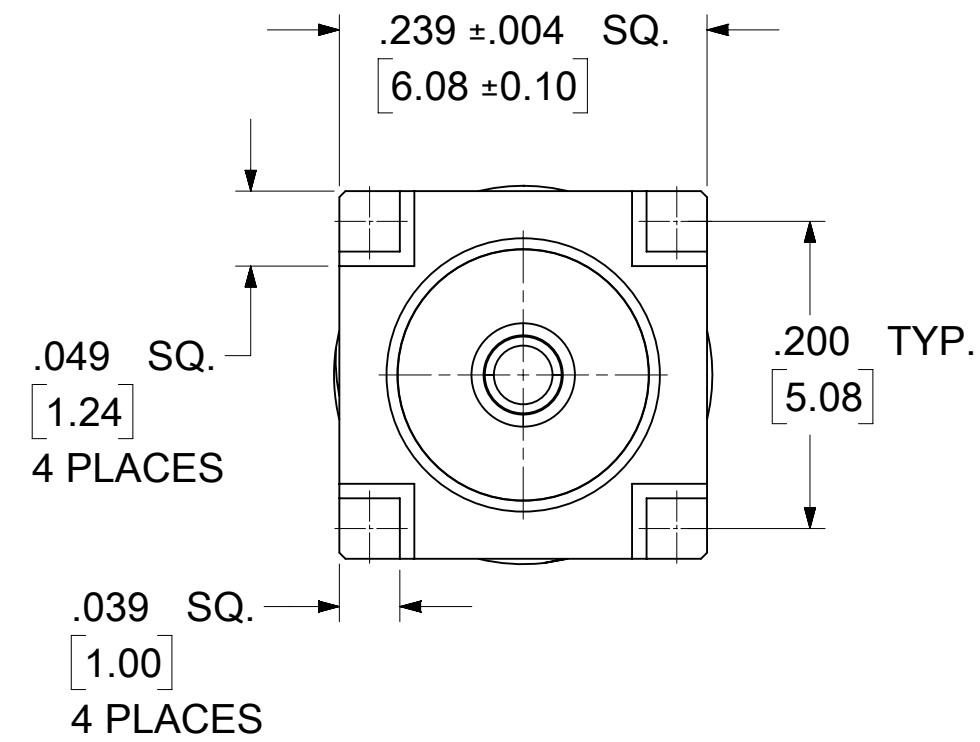
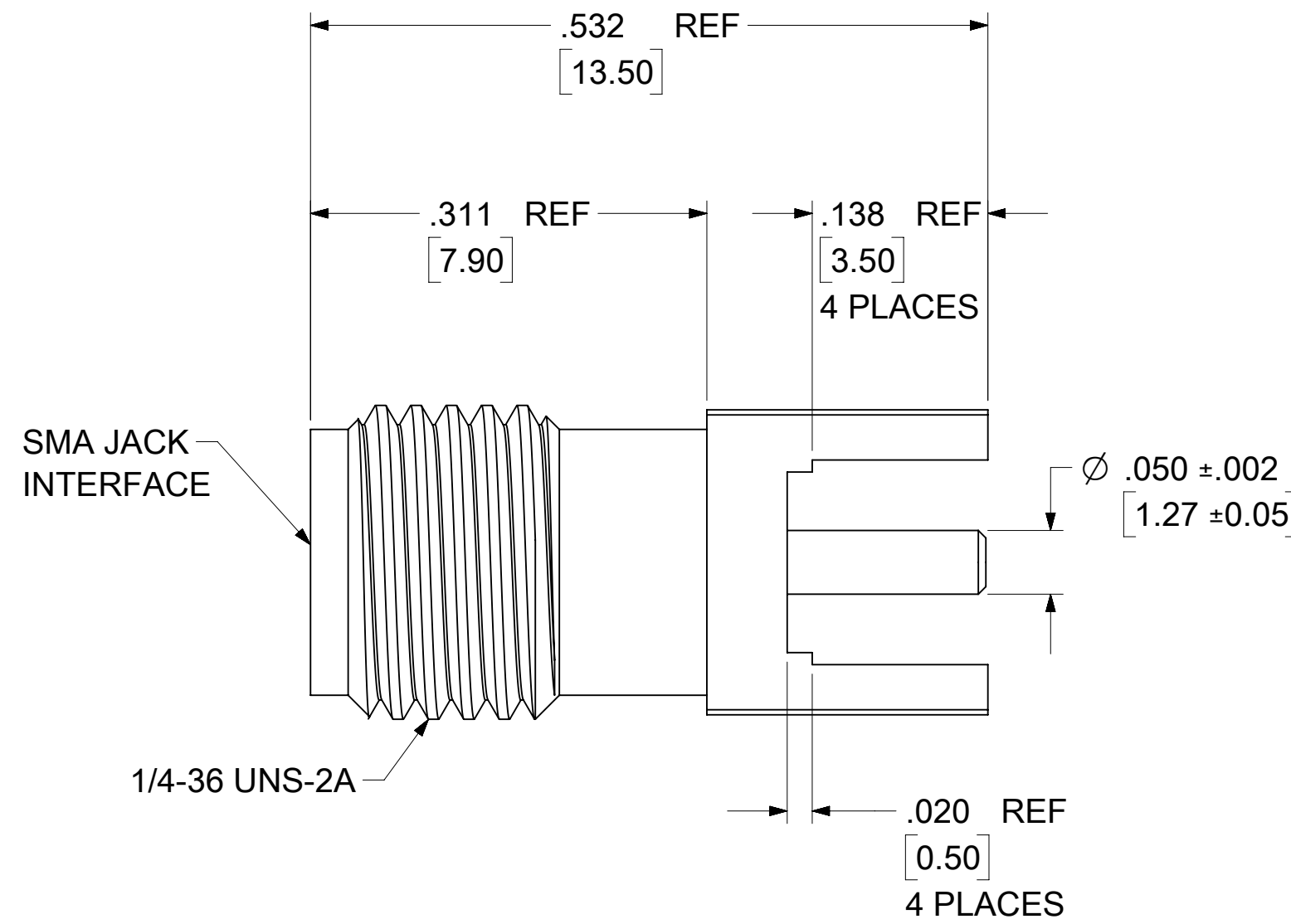
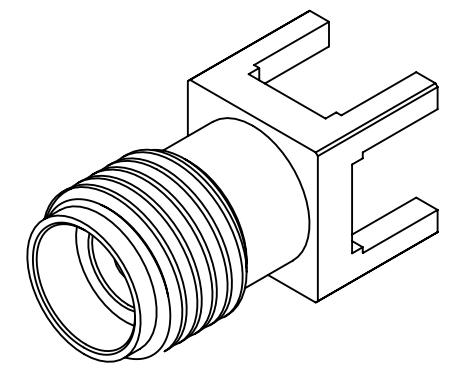


MATERIALS AND FINISHES:

BODY: BRASS
PLATED GOLD

CENTER CONTACT: BERYLLIUM COPPER
PLATED GOLD

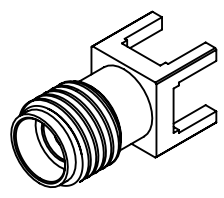
INSULATOR: TEFLON



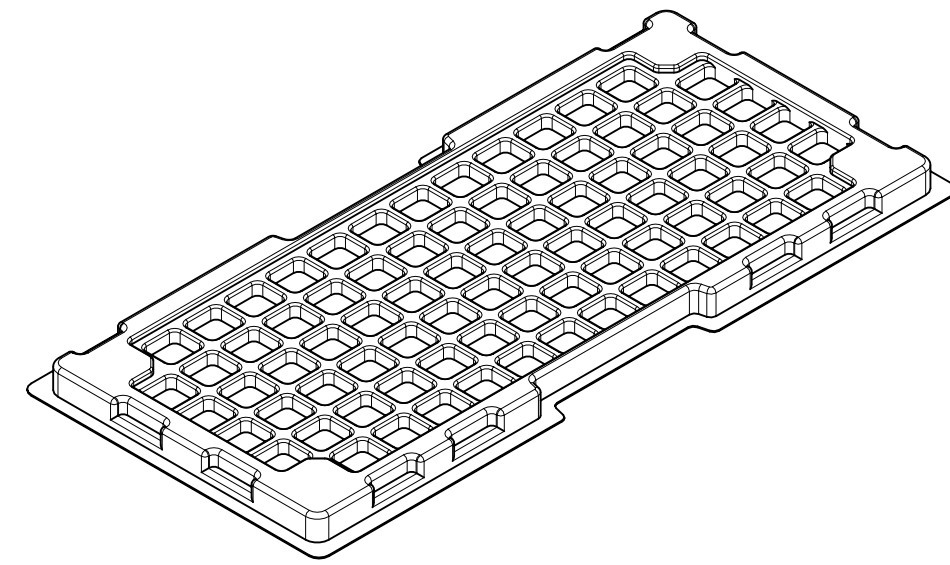
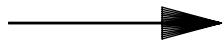
73391-0072	SMALL TRAY (20 CAV.)	SEE SHEET 4
73391-0071	ONE PIECE PER BAG	SEE SHEET 3
73391-0070	TRAY (80 CAV.)	SEE SHEET 2
PART NO.	PACKAGING	PACKING SPEC

PS-89675-346	ELECTRO/MECH. PERFORM.
SPECIFICATION	DESCRIPTION

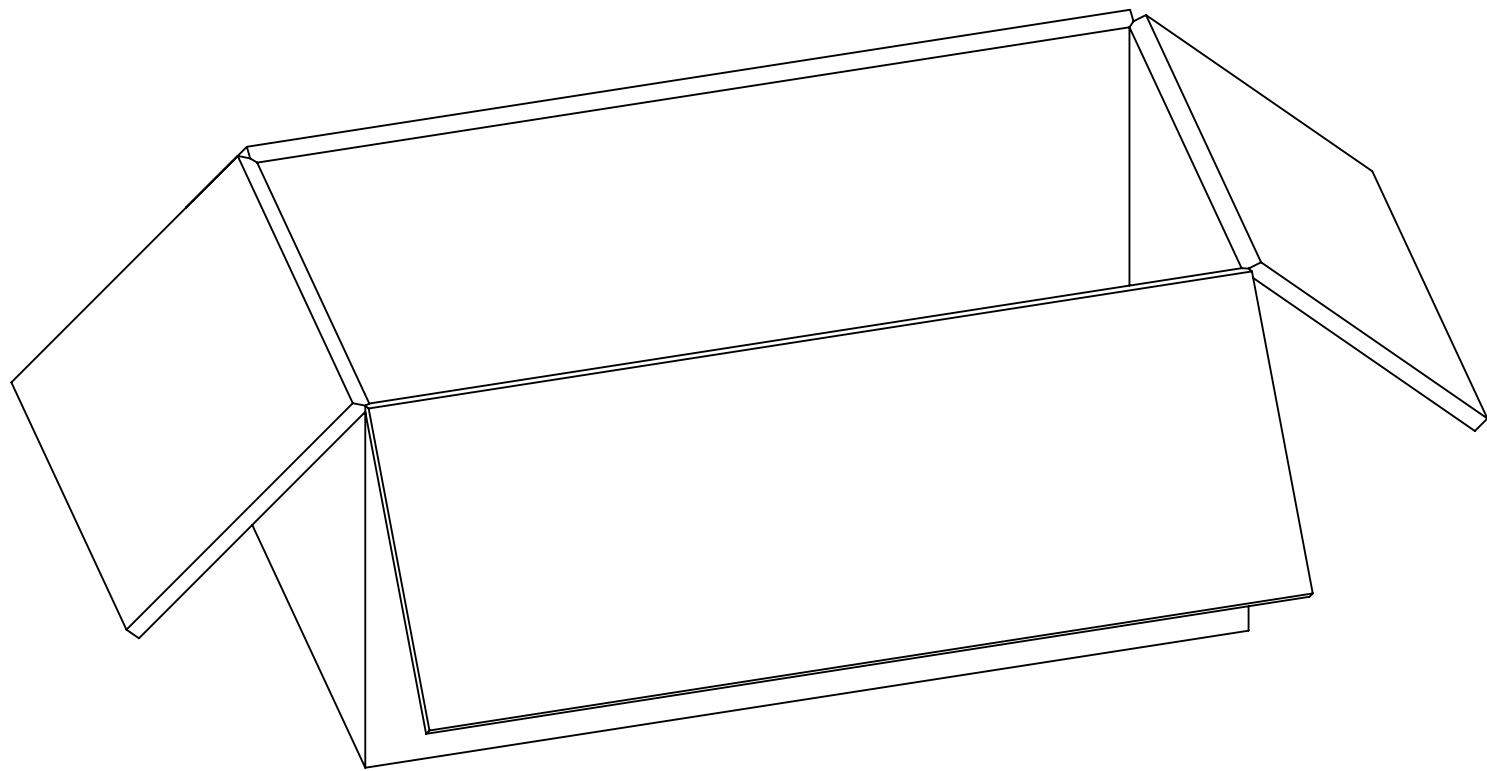
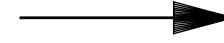
FUNCTIONAL SYMBOLS	THIS DRAWING CONTAINS INFORMATION THAT IS PROPRIETARY TO MOLEX ELECTRONIC TECHNOLOGIES, LLC AND SHOULD NOT BE USED WITHOUT WRITTEN PERMISSION										
	DIMENSION UNITS	SCALE	CURRENT REV DESC: ADD PKG PER EWR15870-A							molex	
$\frac{F}{A} = 0$	INCH	NTS	GENERAL TOLERANCES (UNLESS SPECIFIED)								
$\frac{F}{C} = 0$	ANGULAR TOL $\pm 2.0^\circ$		EC NO: 750458							SMA JACK VERTICAL PCB	
$\frac{F}{P} = 0$	4 PLACES	\pm	DRWN: CWEI02 2022/09/26							50 OHMS SMA-J/PCB	
#####	3 PLACES	\pm	CHK'D: YCHENG 2023/05/30							PRODUCT CUSTOMER DRAWING	
	2 PLACES	\pm	APPR: YCHENG 2023/05/30							DOCUMENT NUMBER	
	1 PLACE	\pm	INITIAL REVISION:							DOC TYPE	
	0 PLACES	\pm	DRWN: LYNN 1998/10/19							DOC PART	
			APPR: XXXX XXXX							REVISION	
DRAFT WHERE APPLICABLE MUST REMAIN WITHIN DIMENSIONS	THIRD ANGLE PROJECTION	DRAWING	SERIES	MATERIAL NUMBER	CUSTOMER	SHEET NUMBER					
		C-SIZE	73391	SEE TABLE	GENERAL MARKET	1 OF 4					



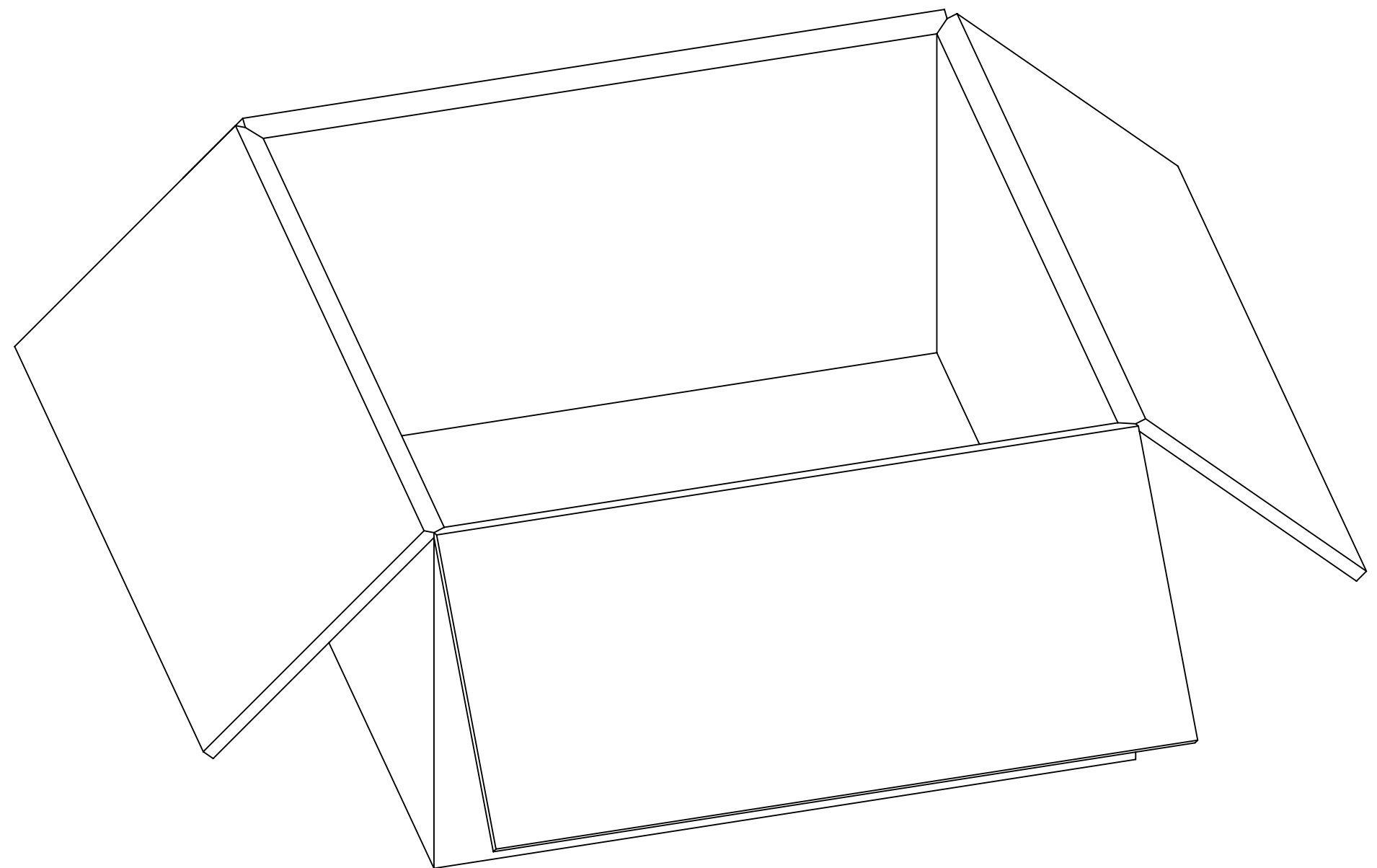
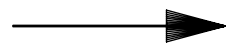
PRODUCT
PN-73391-0070



80 SETS PER TRAY
P/N: 89707-0190



1600 SETS PER INNER
CARTON BOX
P/N: 96707-0001



3200 SETS PER OUTER
CARTON BOX
P/N: 96708-0005

THIS DRAWING CONTAINS INFORMATION THAT IS PROPRIETARY TO MOLEX ELECTRONIC TECHNOLOGIES, LLC AND SHOULD NOT BE USED WITHOUT WRITTEN PERMISSION											
FUNCTIONAL SYMBOLS	THIS DRAWING CONTAINS INFORMATION THAT IS PROPRIETARY TO MOLEX ELECTRONIC TECHNOLOGIES, LLC AND SHOULD NOT BE USED WITHOUT WRITTEN PERMISSION	CURRENT REV DESC: ADD PKG PER EWR15870-A									
	DIMENSION UNITS	SCALE									
	$\frac{E}{A} = 0$	INCH	NTS								
DIVISIONAL SYMBOLS	GENERAL TOLERANCES (UNLESS SPECIFIED)			EC NO: 750458 DRWN: CWEI02 2022/09/26 CHK'D: YCHENG 2023/05/30 APPR: YCHENG 2023/05/30 INITIAL REVISION: DRWN: LYNN 1998/10/19 APPR: XXXX XXXX							
	ANGULAR TOL $\pm 2.0^\circ$										
	4 PLACES	\pm									
3 PLACES	\pm										
2 PLACES	\pm										
1 PLACE	\pm										
0 PLACES	\pm										
DRAFT WHERE APPLICABLE MUST REMAIN WITHIN DIMENSIONS			THIRD ANGLE PROJECTION	DRAWING	SERIES	MATERIAL NUMBER	CUSTOMER	SHEET NUMBER			
				C-SIZE	73391	SEE TABLE	GENERAL MARKET	2 OF 4			

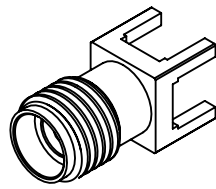
molex

SMA JACK VERTICAL PCB
50 OHMS SMA-J/PCB

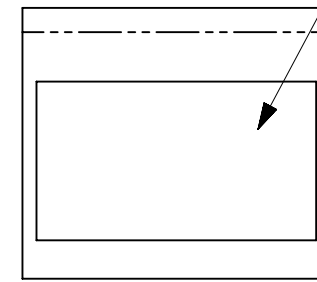
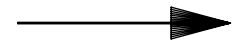
PRODUCT CUSTOMER DRAWING

SD-73391-007

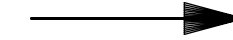
PSD 001 B6



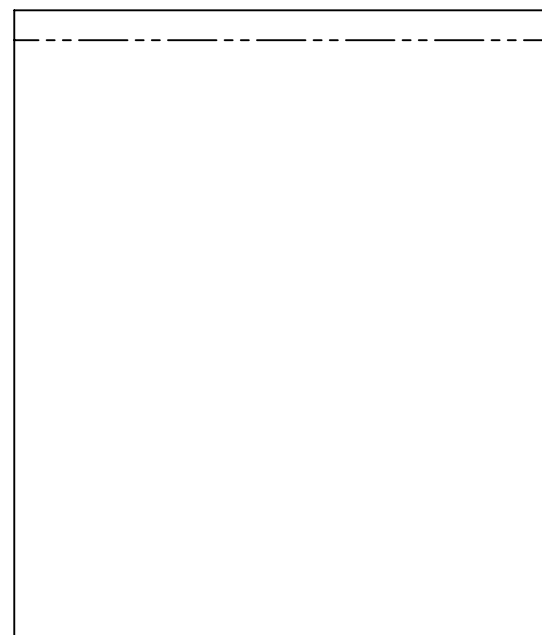
PRODUCT
PN-73391-0071



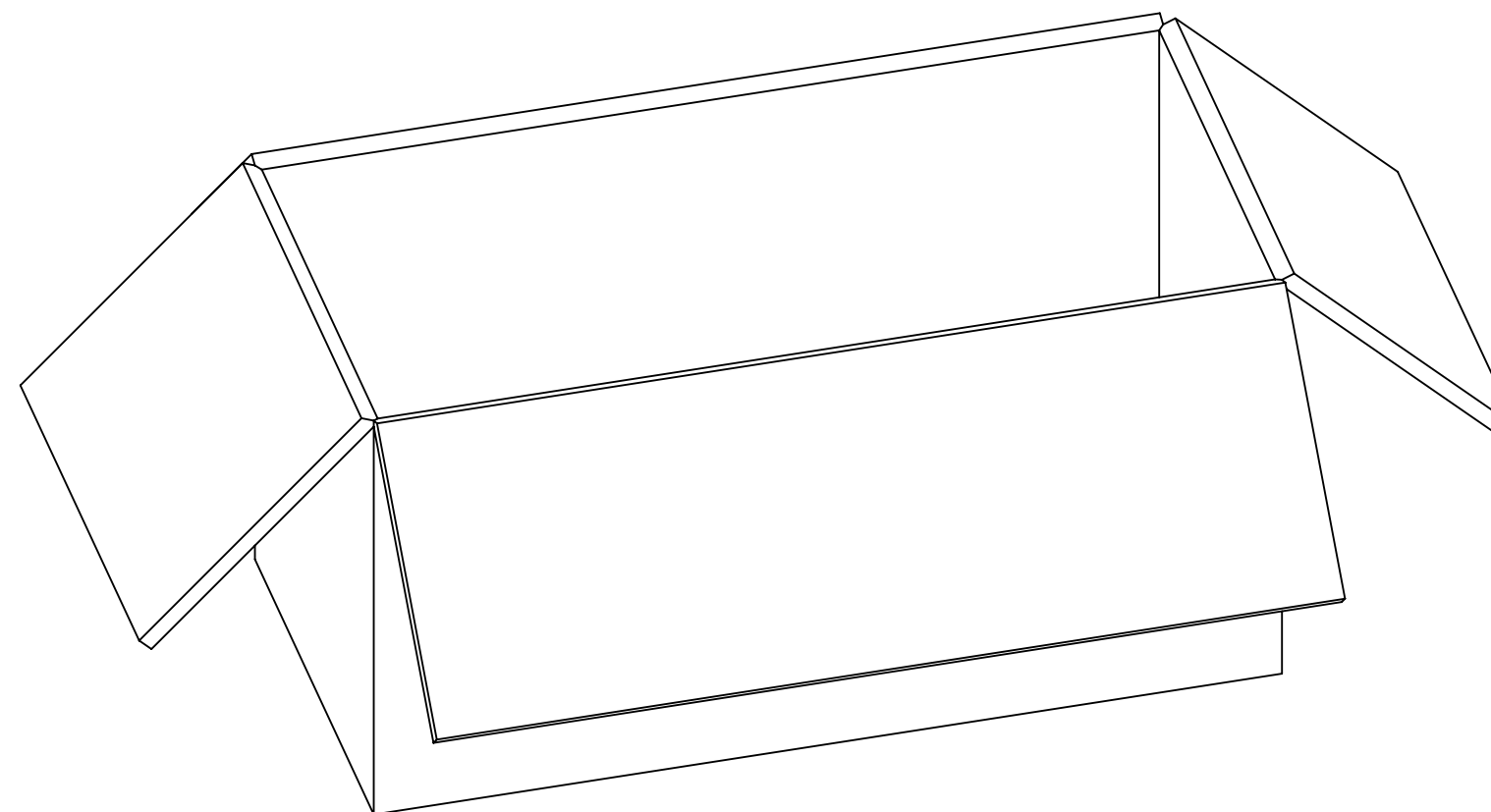
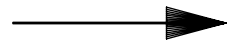
LABEL WITH EACH BAG:
PART NUMBER: 73391-0070
ORDER NUMBER: 73391-0071
MOLEX
DATE: YYWW



ONE SET PER ZIPPER POLY BAG
P/N: 89707-0317



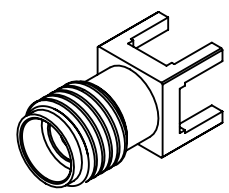
50 SETS PER POLY BAG
P/N: 89707-0174



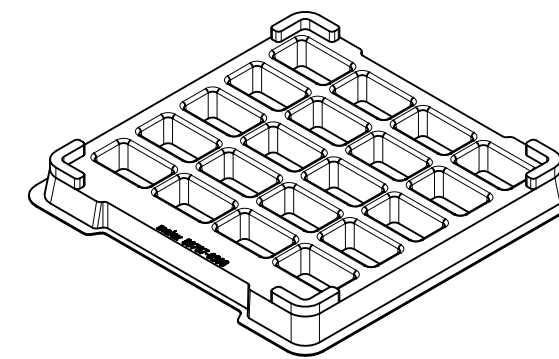
500 SETS PER CARTON BOX
P/N: 96707-0002

FUNCTIONAL SYMBOLS $\nabla_A = 0$ $\nabla_C = 0$ $\nabla_P = 0$	THIS DRAWING CONTAINS INFORMATION THAT IS PROPRIETARY TO MOLEX ELECTRONIC TECHNOLOGIES, LLC AND SHOULD NOT BE USED WITHOUT WRITTEN PERMISSION												
	DIMENSION UNITS INCH	SCALE NTS	CURRENT REV DESC: ADD PKG PER EWR15870-A										
	GENERAL TOLERANCES (UNLESS SPECIFIED) ANGULAR TOL $\pm 2.0^\circ$		EC NO: 750458 DRWN: CWEI02 CHK'D: YCHENG APPR: YCHENG		2022/09/26 2023/05/30 2023/05/30				SMA JACK VERTICAL PCB 50 OHMS SMA-J/PCB				
	DIVISIONAL SYMBOLS 4 PLACES \pm 3 PLACES \pm 2 PLACES \pm 1 PLACE \pm 0 PLACES \pm		DRAFT WHERE APPLICABLE MUST REMAIN WITHIN DIMENSIONS		THIRD ANGLE PROJECTION 		DRAWING C-SIZE		SERIES 73391		INITIAL REVISION: DRWN: LYNN APPR: XXXX 1998/10/19 XXXX		PRODUCT CUSTOMER DRAWING
DOCUMENT NUMBER SD-73391-007		DOC TYPE PSD		DOC PART 001		REVISION B6		MATERIAL NUMBER SEE TABLE		CUSTOMER GENERAL MARKET		SHEET NUMBER 3 OF 4	

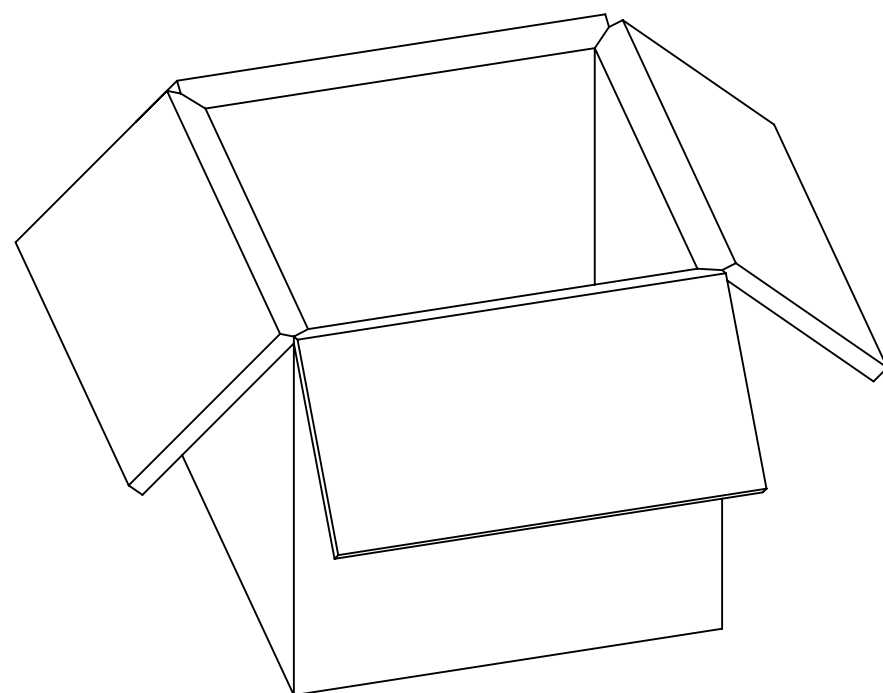
DOCUMENT STATUS	P1	RELEASE DATE	2023/05/30	07:15:15
-----------------	----	--------------	------------	----------



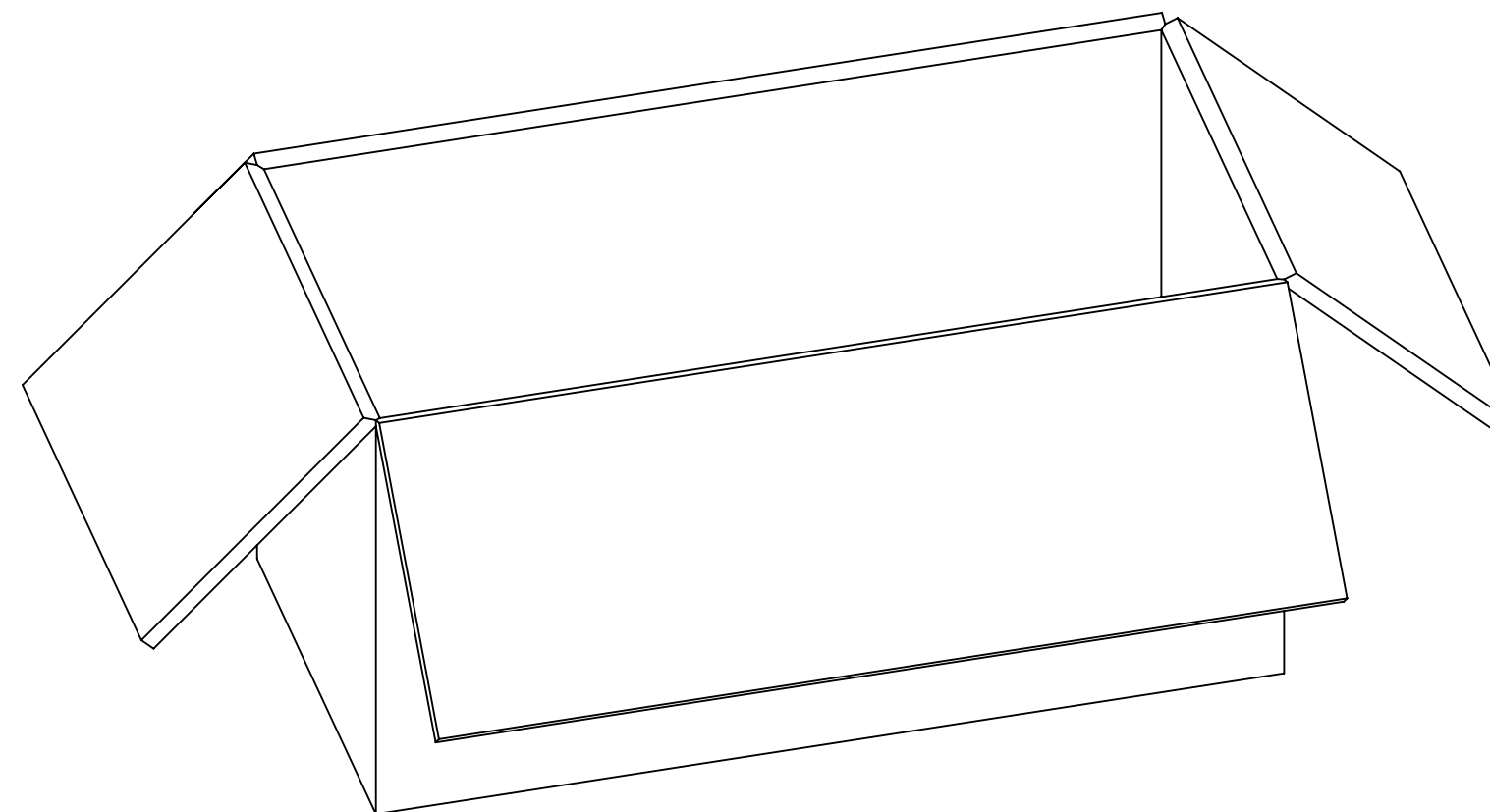
PRODUCT
PN-73391-0072



20 SETS PER TRAY
P/N: 89707-0308



200 SETS PER INNER
CARTON BOX
P/N: 96707-0005



400 SETS PER OUTER
CARTON BOX
P/N: 96707-0002

FUNCTIONAL SYMBOLS	THIS DRAWING CONTAINS INFORMATION THAT IS PROPRIETARY TO MOLEX ELECTRONIC TECHNOLOGIES, LLC AND SHOULD NOT BE USED WITHOUT WRITTEN PERMISSION										
	DIMENSION UNITS	SCALE	CURRENT REV DESC: ADD PKG PER EWR15870-A							molex	
$\frac{F}{A} = 0$	INCH	NTS	EC NO: 750458 DRWN: CWEI02 2022/09/26 CHK'D: YCHENG 2023/05/30 APPR: YCHENG 2023/05/30								
$\frac{F}{C} = 0$	GENERAL TOLERANCES (UNLESS SPECIFIED)									ANGULAR TOL $\pm 2.0^\circ$ 4 PLACES \pm	
$\frac{F}{P} = 0$	DIVISIONAL SYMBOLS		3 PLACES \pm 2 PLACES \pm 1 PLACE \pm 0 PLACES \pm		SD-73391-007 XXXX		PSD	001	B6		
DRAFT WHERE APPLICABLE MUST REMAIN WITHIN DIMENSIONS		THIRD ANGLE PROJECTION	DRAWING	SERIES	MATERIAL NUMBER	CUSTOMER	SHEET NUMBER				
			C-SIZE	73391	SEE TABLE	GENERAL MARKET	4 OF 4				

DOCUMENT STATUS	P1	RELEASE DATE	2023/05/30	07:15:15
-----------------	----	--------------	------------	----------