

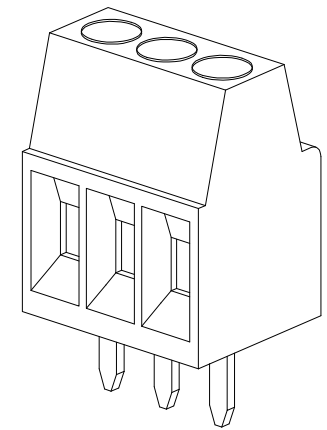
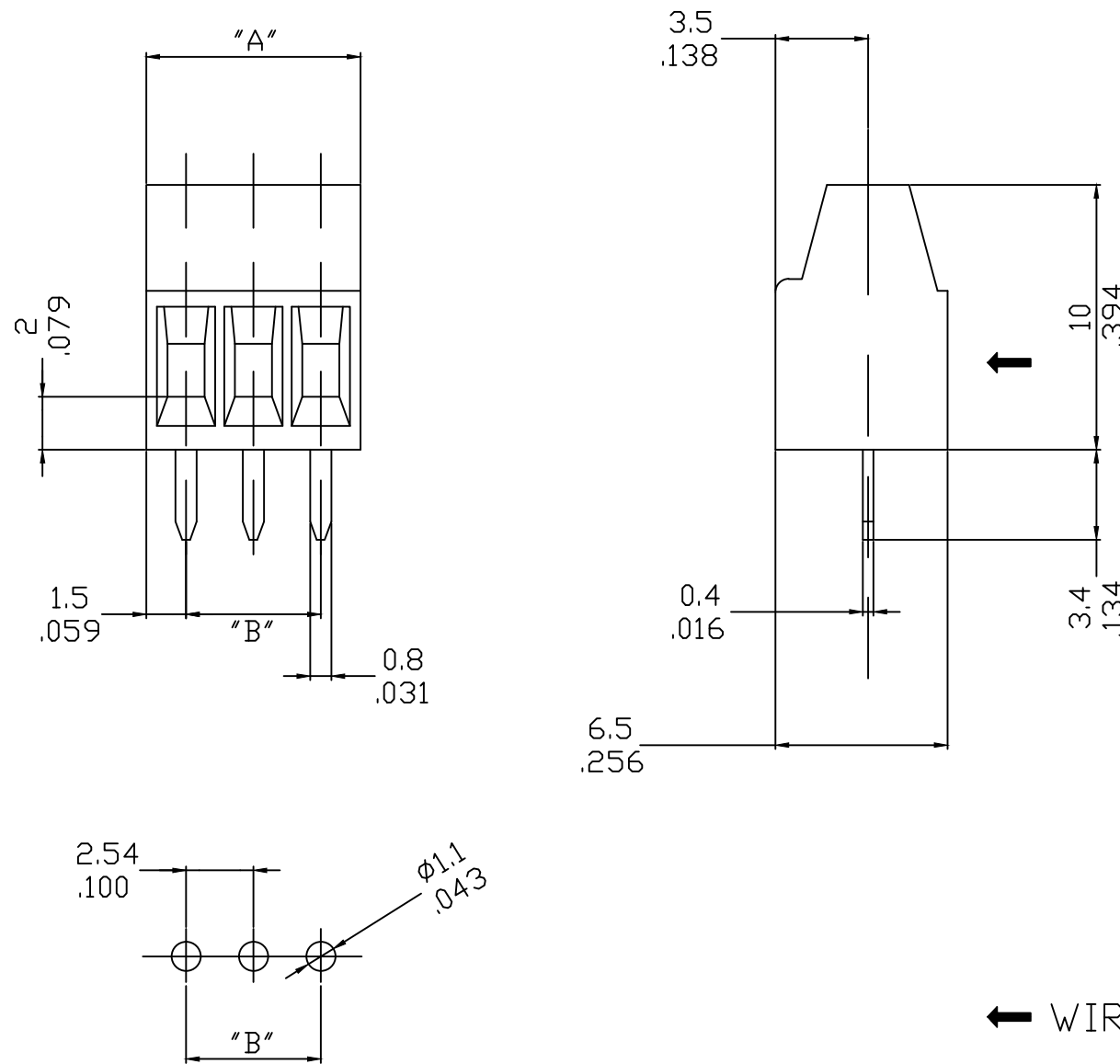
NUMBER OF CIRCUITS "XX"	MATERIAL NO.	ENG. NO.	DIM "A"	DIM "B"
02	397730002	MX-MSD02004	5.54 [.218]	2.54 [.100]
03	397730003	MX-MSD03004	8.08 [.318]	5.08 [.200]
04	397730004	MX-MSD04004	10.62 [.418]	7.62 [.300]
05	397730005	MX-MSD05004	13.16 [.518]	10.16 [.400]
06	397730006	MX-MSD06004	15.70 [.618]	12.70 [.500]
07	397730007	MX-MSD07004	18.24 [.718]	15.24 [.600]
08	397730008	MX-MSD08004	20.78 [.818]	17.78 [.700]
09	397730009	MX-MSD09004	23.32 [.918]	20.32 [.800]
10	397730010	MX-MSD10004	25.86 [1.018]	22.86 [.900]
11	397730011	MX-MSD11004	28.40 [1.118]	25.40 [1.000]
12	397730012	MX-MSD12004	30.94 [1.218]	27.94 [1.100]

SPECIFICATIONS

MAXIMUM VOLTAGE (PER UL):	150V
MAXIMUM CURRENT (PER UL):	10A
WIRE RANGE (PER UL):	16-30 AWG (SOLID OR STRANDED)
WIRE STRIP LENGTH:	5mm (.200")
CONTACT RESISTANCE:	<15mΩ
INSULATION RESISTANCE:	>10 ⁹ Ω (500V DC)
OPERATING TEMPERATURE:	-40°C TO +110°C
MAXIMUM SCREW TORQUE:	1.7 LBF/IN (.19Nm)
PCB THICKNESS:	2.4mm (.094")

MATERIALS

4	XX	SCREW, M1.6	COPPER ALLOY	NICKEL
3	XX	CAGE CLAMP	COPPER ALLOY	NICKEL
2	XX	TERMINAL	COPPER ALLOY	TIN
1	1	INSULATOR	PA 66, UL 94V-0	GREEN
ITEM	QTY.	DESCRIPTION	MATERIAL	FINISH



RPM-T201845669 EC NO: -- DRWN: ABENJAMI 2018/05/02 CHKD: -- APPR: BRUPERT 2018/05/08	QUALITY SYMBOLS ▽=0 ∇=0	GENERAL TOLERANCES (UNLESS SPECIFIED)		DIMENSION STYLE		SCALE	DESIGN UNITS	THIRD ANGLE PROJECTION	
		mm	INCH	MM/IN		2:1	INCH		
A	REV	4 PLACES	±---	±---	DRAWN BY	DATE	TITLE 2.54/.100 FIXED EURO TERMINAL BLOCK ASSY		
		3 PLACES	±---	±.005	ABENJAMI	2018/05/02			
A	REV	2 PLACES	±0.13	±.01	CHECKED BY	DATE	MOLEX INCORPORATED		
		1 PLACE	±0.10	±---	BRUPERT	2018/05/08			
		ANGULAR ±2°		APPROVED BY		DATE	DOCUMENT NO.		SHEET NO.
		DRAFT WHERE APPLICABLE MUST REMAIN WITHIN DIMENSIONS		SEE CHART		SD-39773-001		1 OF 1	
				MATERIAL NO.		THIS DRAWING CONTAINS INFORMATION THAT IS PROPRIETARY TO MOLEX INCORPORATED AND SHOULD NOT BE USED WITHOUT WRITTEN PERMISSION			
				SIZE					
				B					