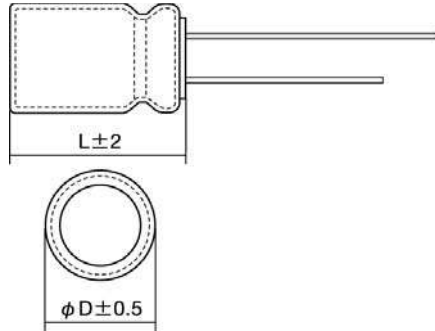


## Cylinder Type Polyacene Capacitors

## PAS0815LA2R3185



## ■ Features

- Item Summary  
2.3V, 1.8F±20%, Less than 1.0Ω
- Lifecycle Stage  
Mass Production
- Standard packaging quantity (minimum)  
Bulk 200pcs

## ■ Products characteristics table

Temperature Range	-25 to +60°C
Maximum Usable Voltage	2.3V
Nominal Capacity	1.8F
Internal Resistance	1Ω
Initial Capacitance	1.8F±20%
Initial Internal Resistance	Less than 1.0Ω
RoHS Compliance	Yes
Soldering Method	Wave

2015.04.24

The data is reference only. Electrical characteristics vary depending on environment or measurement condition.  
 TAIYO YUDEN reserves the right to make change to the Date at any time without notice.  
 Before making final selection, please check product specification.