



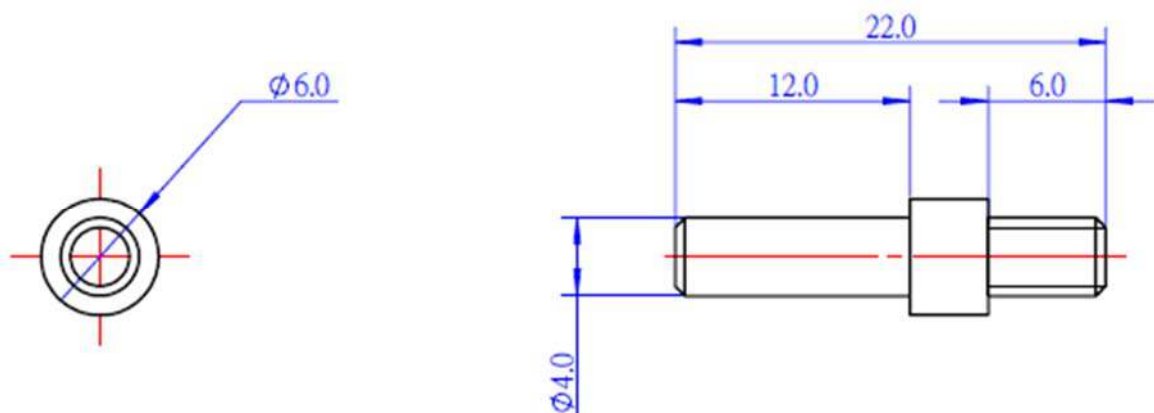
## Threaded Shaft 4\*22mm(Pair)

SKU: 85009 Weight: 5.00 Gram

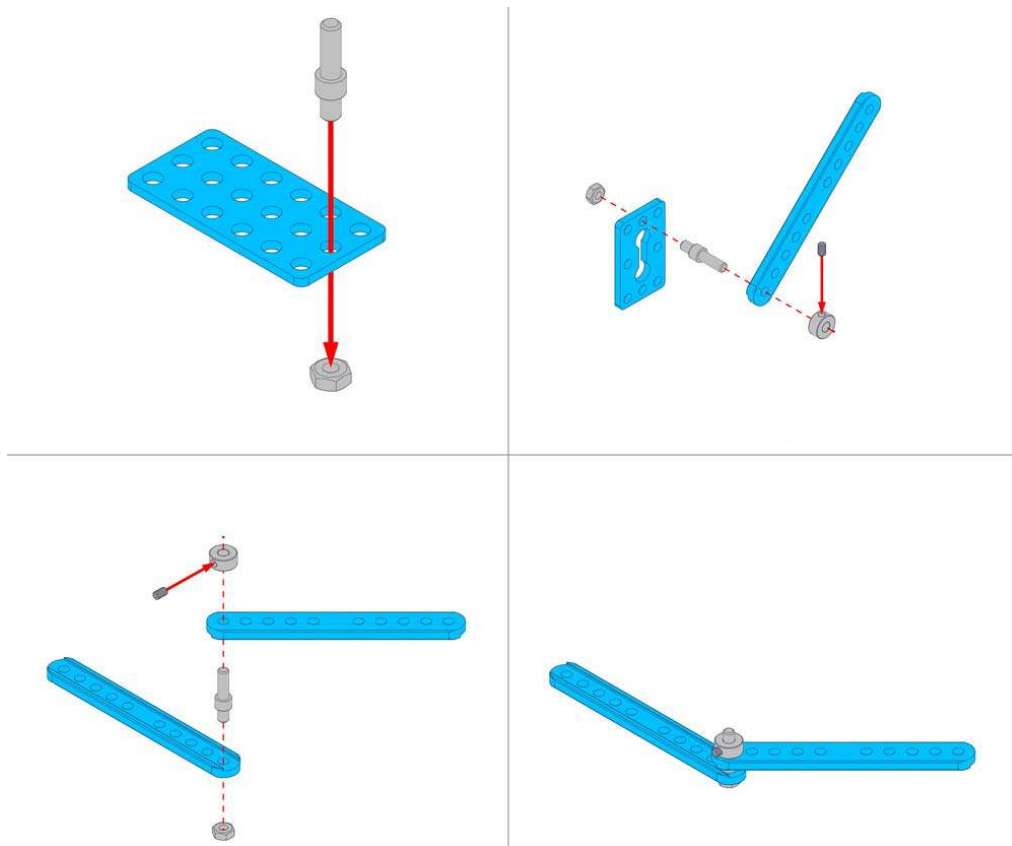
### What is Threaded Shaft 4\*22mm(Pair)?

This threaded shaft can be used as the revolving shaft of rotational joint in linkage mechanism. It is made of stainless steel – SUS304 and consists of a M4 thread shaft (at one end), a shaft shoulder (in the middle), and a linear shaft (at the other end). You can fix the shaft on a beam, bracket or plate by twisting a screw on. Also, the linear shaft can match with a 4mm shaft sleeve.

### Size Charts



## Demo:



## Specifications

SKU	85009
Product Content	Threaded Shaft 4*22mm*2 Nut 4mm*2
Length of Thread Shaft	6mm
Length of Linear Shaft	12mm
Diameter of Shaft Shoulder	6mm
Net Weight	5g (0.18oz)