

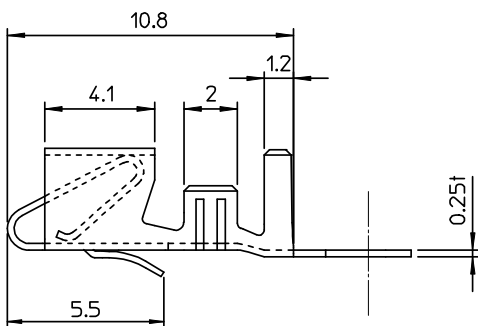
NOTES

1. MATERIAL : BRASS or PHOSPHOR BRONZE
2. FINISHES : PRE-TIN PLATED
3. PRODUCT SPECIFICATION : PS-35978-001
4. APPLIED HOUSING : 35977-\*\*0\*

SECTION A-A

SECTION B-B

SECTION C-C



TABLE

359228011	35922-8011	PHOSPHOR BRONZE
359229002	35922-9002	BRASS
MAT'L NO.	ENG NO.	MATERIAL

REVISED EC NO: KOR2008-0186 DRWN:SKHAN01 2008/05/26 CH'KD:WY. YANG 2008/05/26 APPR: YUNSIKKIM 2008/05/26	QUALITY SYMBOLS	GENERAL TOLERANCES (UNLESS SPECIFIED) <table border="1"> <tr> <td></td> <td>mm</td> <td>INCH</td> </tr> <tr> <td>4 PLACES</td> <td>± ---</td> <td>± ---</td> </tr> <tr> <td>3 PLACES</td> <td>± ---</td> <td>± ---</td> </tr> <tr> <td>2 PLACES</td> <td>± ---</td> <td>± ---</td> </tr> <tr> <td>1 PLACE</td> <td>± 0.2</td> <td>± ---</td> </tr> </table>		mm	INCH	4 PLACES	± ---	± ---	3 PLACES	± ---	± ---	2 PLACES	± ---	± ---	1 PLACE	± 0.2	± ---	DIMENSION STYLE	SCALE	DESIGN UNITS	THIRD ANGLE PROJECTION
			mm	INCH																	
	4 PLACES		± ---	± ---																	
	3 PLACES		± ---	± ---																	
	2 PLACES		± ---	± ---																	
1 PLACE	± 0.2	± ---																			
= 0 = 0	MM ONLY	5:1	METRIC																		
DRAFT WHERE APPLICABLE MUST REMAIN WITHIN DIMENSIONS	DRAWN BY: YURIWI DATE: 1999/05/09 CHECKED BY: J. K. OH DATE: 1999/05/09 APPROVED BY: CWLEE DATE: 1999/05/09	TITLE																			
SIZE A3	SEE TABLE		3.96 PITCH W-T-B CONN. TERMINAL  MOLEX INCORPORATED DOCUMENT NO. SD-35922-500																		
	THIS DRAWING CONTAINS INFORMATION THAT IS PROPRIETARY TO MOLEX INCORPORATED AND SHOULD NOT BE USED WITHOUT WRITTEN PERMISSION		SHEET NO. 1 OF 1																		