

MATERIAL NUMBER	ENGINEERING NUMBER	FINISHED LENGTH
1300280068	DND23A-M005	1.64' +1.75" -0 [1.5M +44.5 -0]
1300280070	DND23A-M010	3.28' +2.19" -0 [1.0M +55.6 -0]
1300280073	DND23A-M020	6.56' +3.50" -0 [2.0M +88.9 -0]
1300280075	DND23A-M030	9.84' +3.50" -0 [3.0M +88.9 -0]
1300280076	DND23A-M040	13.12' +6.50" -0 [4.0M +165.1 -0]
1300280077	DND23A-M050	16.40' +6.50" -0 [5.0M +165.1 -0]
1300280078	DND23A-M060	19.69' +6.50" -0 [6.0M +165.1 -0]

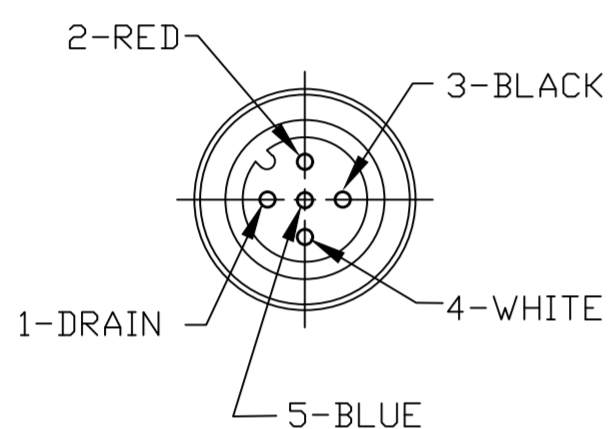
**(B) PART NUMBER LEGEND**

DND23A-M005

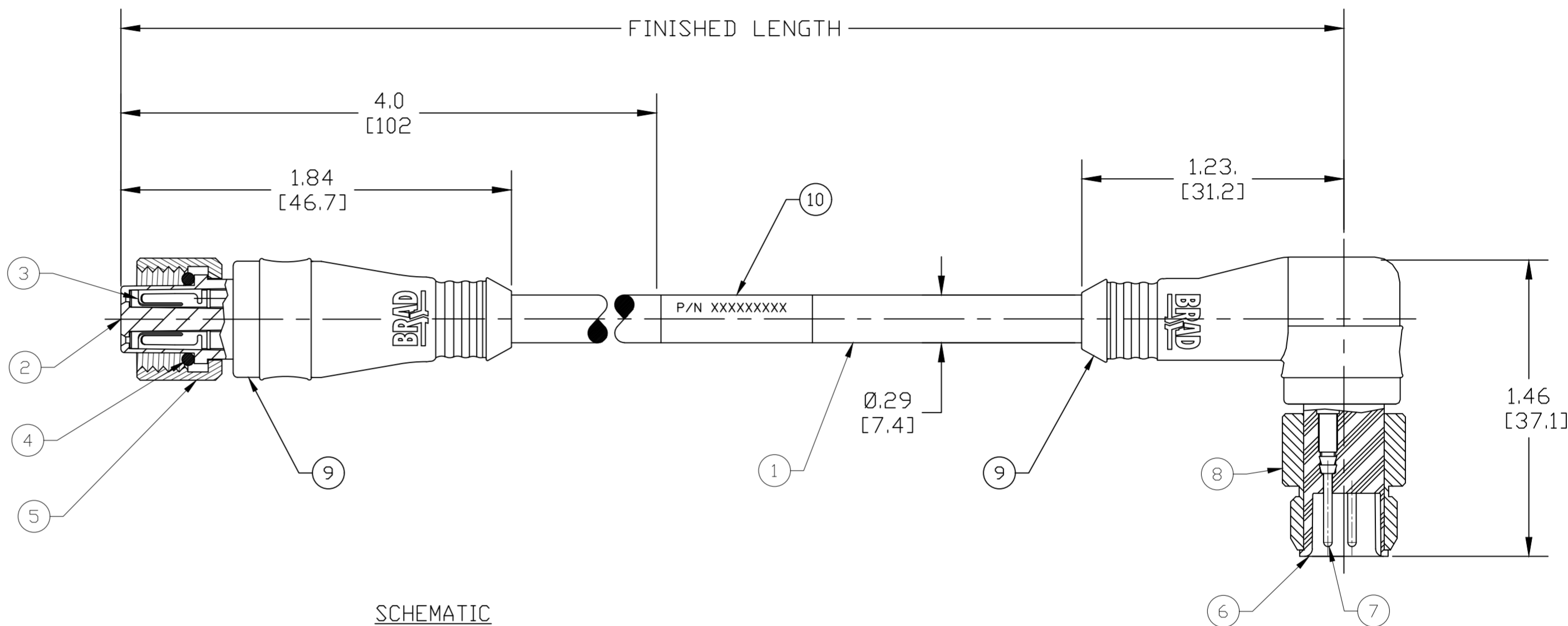
FINISHED LENGTH:  
M005= 0.5 METER  
M010= 1.0 METER  
M100= 10.0 METERS

**(B) CABLE LENGTH TOLERANCES**

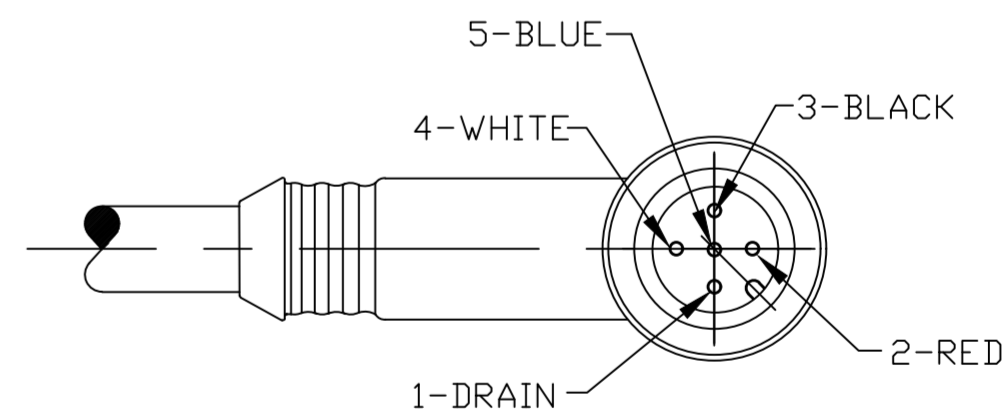
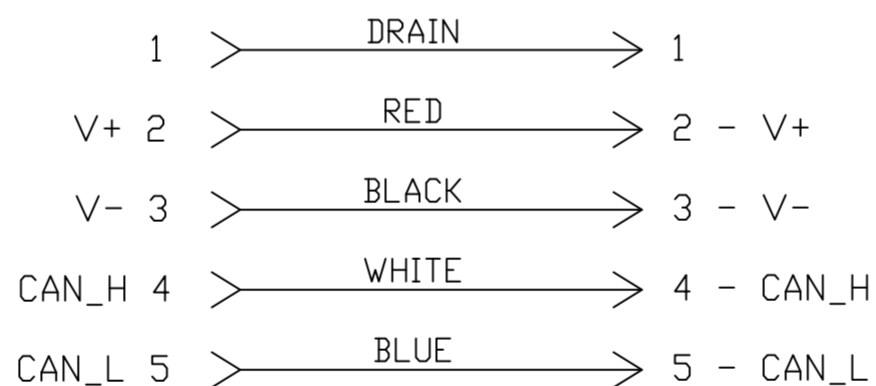
<.3M [1FT]:	+19mm-0 [ +.75in-0]
.3 - .9M [1 - 3FT]:	+44.5mm-0 [+1.75in-0]
.9 - 1.8M [3 - 6FT]:	+55.6mm-0 [+2.19in-0]
1.8 - 3.7M [6 - 12FT]:	+88.9mm-0 [+3.50in-0]
3.7 - 7.3M [12 - 24FT]:	+165.1mm-0 [+6.50in-0]
7.3-14.6M [24 - 48FT]:	+317.5mm-0 [+12.50in-0]
14.6 - 30.5M [48-100FT]:	+622.3mm-0 [+24.50in-0]
OVER 30M [100FT]	+2% OF FINISHED LENGTH



FEMALE INSERT FACE VIEW



**SCHEMATIC**



MALE-FACE VIEW

- (B) NOTES:**
1. MATERIAL: AS NOTED
  2. FINISH: AS NOTED
  3. ELECTRICAL:  
VOLTAGE: 250V  
CURRENT: 4A
  4. TEMP RATING: -25°C TO +80°C
  5. PROTECTION: IP67 (WHEN MATED)
  6. COUPLING THREAD: M12 X 1.0
  7. ALL DIMS ARE FOR REFERENCE UNLESS TOLERANCED OR NOTED OTHERWISE

ITEM	DESCRIPTION	MATERIAL	FINISH
10	LABEL	VINYL	BLACK/YELLOW
9	OVERMOLDS	TPC (B)	GRAY
8	COUPLING, MALE	ZINC DIE-CAST	BLACK E-COAT
7	CONTACT PIN	Cu ALLOY	GOLD PLATED
6	INSERT, MALE	NYLON	BLACK
5	COUPLING, FEMALE	ZINC DIE-CAST	BLACK E-COAT
4	O-RING	NITRILE	RED
3	CONTACT SOCKET	Cu ALLOY	GOLD PLATED
2	INSERT, FEMALE	NYLON	BLACK
1	DEVICENET, 22AWG DROP CABLE	PVC JACKET	GRAY

FUNCTIONAL SYMBOLS				THIS DRAWING CONTAINS INFORMATION THAT IS PROPRIETARY TO MOLEX ELECTRONIC TECHNOLOGIES, LLC AND SHOULD NOT BE USED WITHOUT WRITTEN PERMISSION			
FA=0	DIMENSION UNITS	INCH/MM	SCALE	CURRENT REV DESC: OVERMOLD WAS PVC, UPDATE NOTES, ADD P/N LEGEND, AND LENGTH TOLS			
	FC=0	GENERAL TOLERANCES (UNLESS SPECIFIED)		EC NO: 713760			
		mm	INCH	DRWN: RSTONE 2022/05/06			
FP=0	4 PLACES	±----	±----	CHK'D: ALEON01 2022/05/27			
	3 PLACES	±----	±----	APPR: BWOODMAN 2022/07/12			
DIVISIONAL SYMBOLS	2 PLACES	±----	±----	INITIAL REVISION:			
	1 PLACE	±----	±----	DRWN: TWOLDEGE 2010/01/11			
DIVISIONAL SYMBOLS	0 PLACES	±----	±----	APPR: JFMURPHY 2010/01/20			
	ANGULAR TOL ± ---- °	DRAFT WHERE APPLICABLE MUST REMAIN WITHIN DIMENSIONS			THIRD ANGLE PROJECTION		
DRAWING		SERIES		MATERIAL NUMBER		CUSTOMER	
C-SIZE		130028		GENERAL MARKET		SHEET NUMBER	
DOCUMENT NUMBER		SD-130028-007		DOC TYPE/DOC PART		REVISION	
PSD		001		B		1 OF 1	