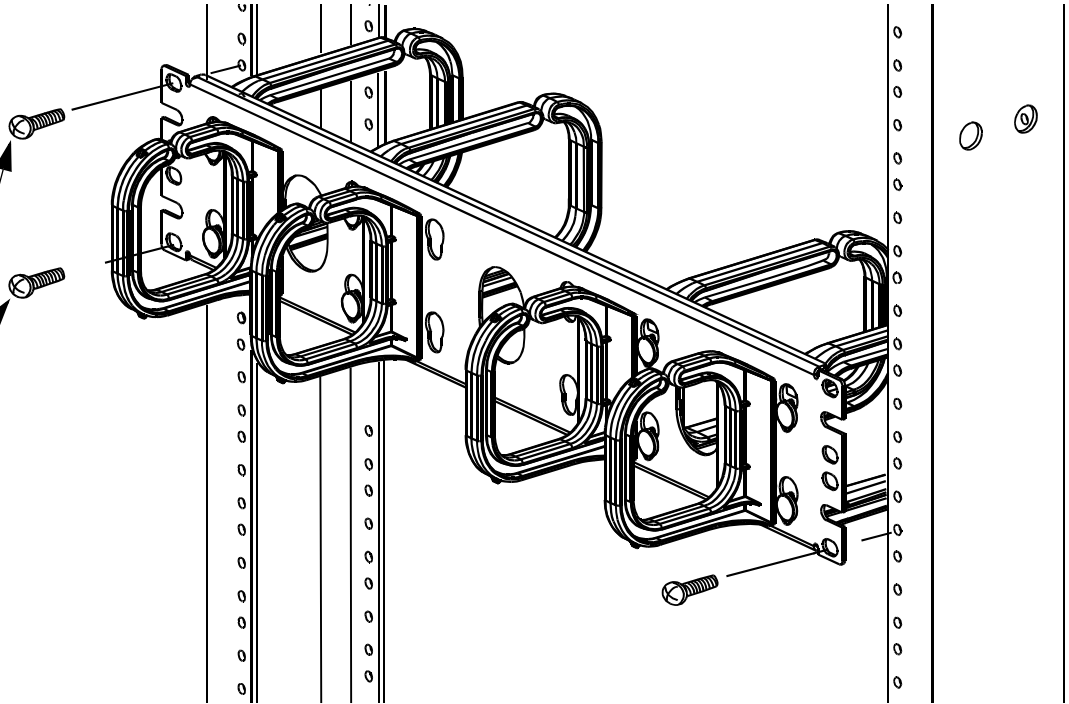
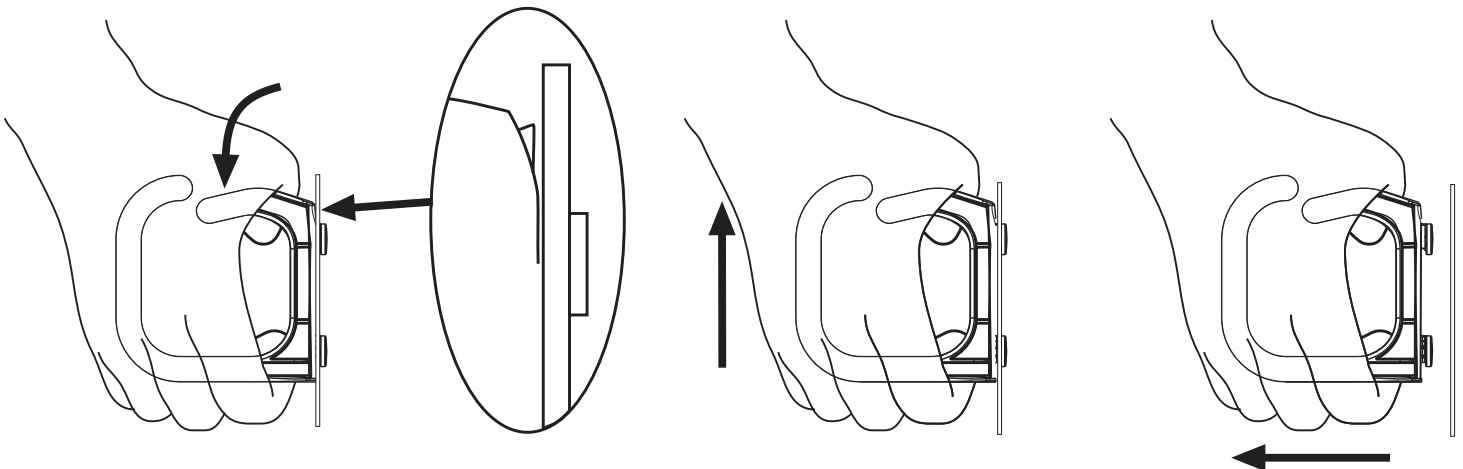


### Typical panel mounting procedure to EIA Standard 19" Communication Rack or Network Cabinet

FOUR (4) #12-24 x 1/2"  
SCREWS INCLUDED  
IN EACH KIT



### D-ring removal procedure



## Horizontal Cable Management Panels

PART NUMBER	DESCRIPTION
<b>CMPH1</b>	Manages patch cables and distribution cables. Includes 1.5"x3" D-ring on the front and 1.5"x5" D-ring on the back.
<b>CMPH2</b>	Manages patch cables and distribution cables. Includes 3"x3" D-ring on the front and 3"x5" D-ring on the back.
<b>CMPHF1</b>	Manages patch cables. Includes 1.5"x5" D-ring on the front.
<b>CMPHF2</b>	Manages patch cables. Includes 3"x3" D-ring on the front.
<b>CMPHHF1</b>	Manages high density patch cables. Includes 1.5"x5" on front.
<b>CMPHH2</b>	Manages high density patch cables. Includes 3" x 5" D-ring front.
<b>CMDRH1</b>	Horizontal D-ring. 1.5"x3" (3.81cm x 7.62cm)
<b>CMDRHD1</b>	Horizontal D-ring. 1.5"x5" (3.81cm x 7.62cm)
<b>CMPH1C</b>	One rack unit 19" replacement cover
<b>CMPH2C</b>	Two rack unit 19" replacement cover

## Vertical Cable Management

<b>CMVDR1</b>	1" Wide vertical cable management bracket, long
<b>CMVDR1S</b>	2" Wide vertical cable management bracket, short
<b>CMVDR2S</b>	2" Wide vertical cable management bracket, short
<b>CMVDRC</b>	Center mounted D-ring

For Instructions in Local Languages  
and Technical Support:

[www.panduit.com/resources/install\\_maintain.asp](http://www.panduit.com/resources/install_maintain.asp)

**PANDUIT**

[www.panduit.com](http://www.panduit.com)

**E-mail:**  
[techsupport@panduit.com](mailto:techsupport@panduit.com)

**Fax:**  
(866 405-6654)