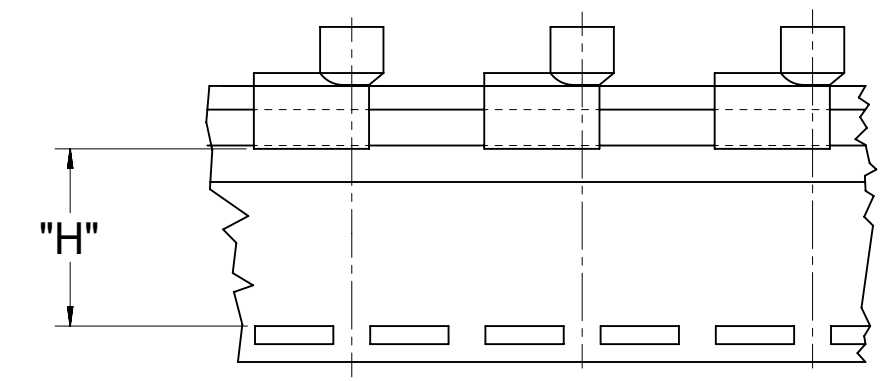
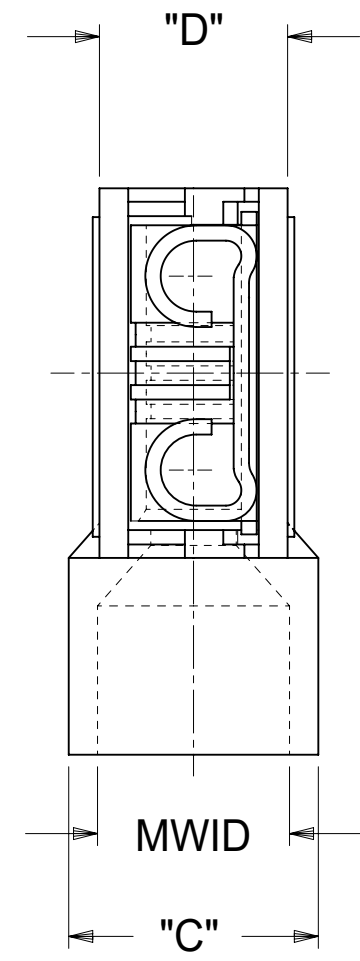
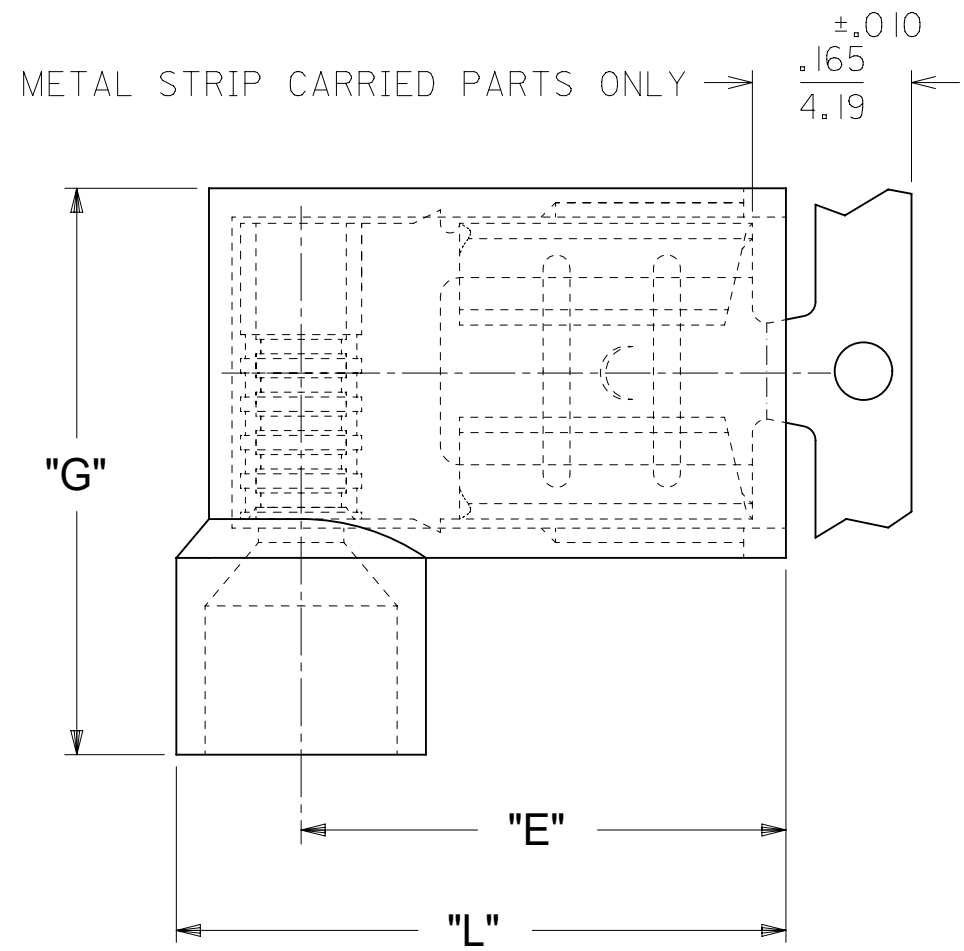


LOOSE PIECE		METAL STRIP CARRIED		MYLAR TAPE CARRIED		FEATURES			DIMENSIONS						
MATERIAL NUMBER	ENGINEERING NUMBER	MATERIAL NUMBER	ENGINEERING NUMBER	MATERIAL NUMBER	ENGINEERING NUMBER	AWG	COLOR	FITS TAB SIZE	MWID	L ± .015 / 0.38	G ± .015 / 0.38	E ± .015 / 0.38	C ± .015 / 0.38	D ± .015 / 0.38	H ± .02 / 0.5
190070001	AA-2220	190070008	AA-2220Z	190070004	AA-2220T	22-18	RED	.250x.032/6.35x0.81	.176/4.47	.630/16.00	.585/14.86	.512/13.00	.236/5.99	.197/5.00	.93/23.6
190070021	BB-2221	190070028	BB-2221Z	190070024	BB-2221T	16-14	BLUE	.250x.032/6.35x0.81	.200/5.08	.630/16.00	.585/14.86	.500/12.70	.260/6.60	.197/5.00	.93/23.6
190070040	C-2211	190070041	C-2211Z	190070053	C-2211T	12-10	YELLOW	.250x.032/6.35x0.81	.260/6.60	.667/16.93	.677/17.20	.511/12.98	.311/7.90	.246/6.25	.97/24.6



NOTE(S):
 1. MWID = MAX. WIRE INSULATION DIA.
 2. MATERIAL:
 HOUSING: NYLON
 TERMINAL: TIN-PLATED BRASS
 3. ASSEMBLY IS RoHS COMPLIANT.

(D1)

THIS DRAWING CONTAINS INFORMATION THAT IS PROPRIETARY TO MOLEX ELECTRONIC TECHNOLOGIES, LLC AND SHOULD NOT BE USED WITHOUT WRITTEN PERMISSION													
DIMENSION UNITS INCH/MM		SCALE 5:1		CURRENT REV DESC: REMOVE STOP SIGN INFO "PRE-RELEASE REFERENCE USE ONLY"									
GENERAL TOLERANCES (UNLESS SPECIFIED)				EC NO: 692915		2022/01/20		FLAG QUICK DISCONNECT, FULLY INSULATED, .250 X .032 TAB SIZE					
4 PLACES ±		±		DRWN: DMYRICK		2022/01/21						PRODUCT CUSTOMER DRAWING	
3 PLACES ±		± 0.005		CHK'D: JMACNEIL		2022/01/21		DOCUMENT NUMBER: SD-19007-004 DOC TYPE: PSD DOC PART: 001 REVISION: D1					
2 PLACES ±		± 0.13		APPR: JMACNEIL		2022/01/21						MATERIAL NUMBER: SEE TABLE CUSTOMER: GENERAL MARKET SHEET NUMBER: 1 OF 1	
1 PLACE ±		±		INITIAL REVISION:				SERIES: 19007					
0 PLACES ±		±		DRWN: EHILE		2006/12/15						THIRD ANGLE PROJECTION:	
ANGULAR TOL ±		± 0.5°		APPR: JMACNEIL		2006/12/15		DRAFT WHERE APPLICABLE MUST REMAIN WITHIN DIMENSIONS					
				DRAWING: B-SIZE									

DOCUMENT STATUS	P1	RELEASE DATE	2022/01/21	17:18:54
-----------------	----	--------------	------------	----------