

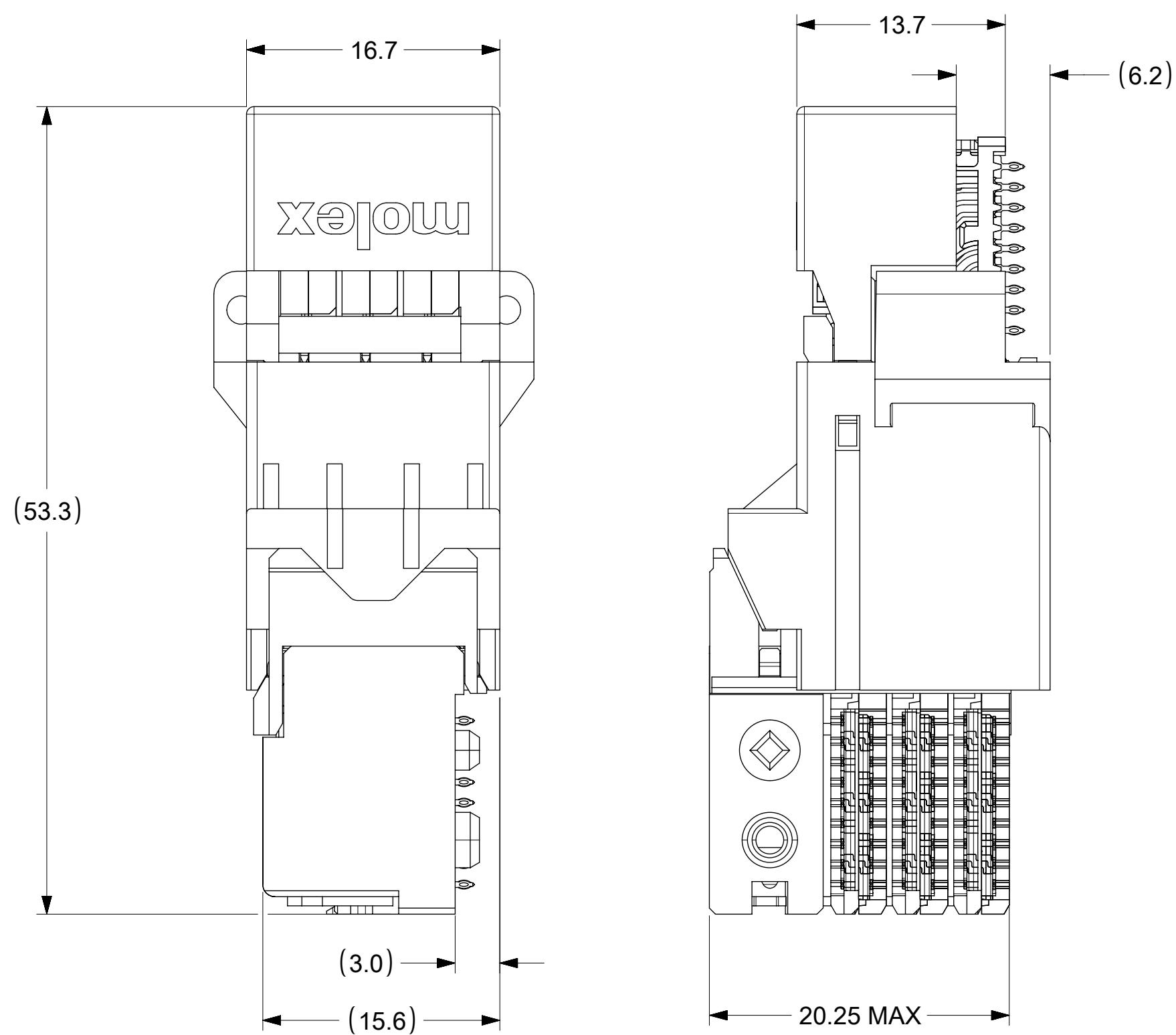
### OD-RAM HOLE PATTERN (CONNECTOR SIDE)

FUNCTIONAL SYMBOLS	THIS DRAWING CONTAINS INFORMATION THAT IS PROPRIETARY TO MOLEX ELECTRONIC TECHNOLOGIES, LLC AND SHOULD NOT BE USED WITHOUT WRITTEN PERMISSION		
	DIMENSION UNITS	SCALE	CURRENT REV DESC: MIGRATED TO NX & CORRECTED 3 DIMENSIONS @ SHT_1 (F07, F06 & E06).
$\nabla_A = 0$	mm	NTS	EC NO: 655850 DRWN: ABN 2018/08/29 CHK'D: SHONG 2021/02/18 APPR: SHONG 2021/02/18
$\nabla_C = 0$	GENERAL TOLERANCES (UNLESS SPECIFIED)		
$\nabla_P = 0$	ANGULAR TOL ± 0.5°		INITIAL REVISION: DRWN: JMENDOZA 2012/12/14 APPR: JMENDOZA 2012/12/14
DIVISIONAL SYMBOLS	4 PLACES	±	
	3 PLACES	±	DOCUMENT NUMBER <b>SD-171573-0002</b>
	2 PLACES	± 0.13	
	1 PLACE	± 0.25	DOC TYPE PSD
	0 PLACES	±	DOC PART 001
DRAFT WHERE APPLICABLE MUST REMAIN WITHIN DIMENSIONS	THIRD ANGLE PROJECTION	DRAWING	REVISION <b>C1</b>
		C-SIZE	SHEET NUMBER 1 OF 4
		SERIES 171573	MATERIAL NUMBER SEE CHART
			CUSTOMER GENERAL MARKET

**molex**

IMPACT ORTHOGONAL DIRECT  
3 PAIR RAM 90 & 270 ASSY TOP GUIDED SALES  
DRAWING

PRODUCT CUSTOMER DRAWING



**MATED DIMENSIONS**  
(POSITION 90° SHOWN)

**NOTES:**

1. MATERIALS: HOUSING - LIQUID CRYSTAL POLYMER (LCP)  
GLASS-FILLED, UL94V-0  
TERMINALS - HIGH PERFORMANCE COPPER ALLOY
2. FINISH: 30μ MIN GOLD IN CONTACT AREA.  
SELECTIVE TIN ON PCB TAILS.  
NICKEL OVERALL.
3. REFER TO MOLEX PRODUCT SPECIFICATION PS-76060-999  
FOR PERFORMANCE SPECIFICATIONS AND ADDITIONAL PCB INFORMATION.
4. THIS PART CONFORMS TO CLASS B REQUIREMENTS OF  
COSMETIC SPEC PS-45499-002.
5. PACKAGE PER: PK-70873-8018.
6. SEE SHEET 3 FOR ORTHOGONAL PIN MAPPING.
7. REFER TO SHEET 3 AND 4 FOR THE MATING RECEPTACLES.
8. REFER TO MOLEX ROUTING GUIDE AS-76850-990 FOR ADDITIONAL PCB LAYOUT  
AND ROUTING RECOMMENDATIONS.
9. CONNECTORS ARE SUPPLIED WITH TWO 2-32 THREAD FORMING SCREWS.
10. THESE DIMENSIONS REPRESENT THE AREA NEEDED TO ACCOMODATE CONNECTOR  
INSERTION AND REPAIR ON THE PC BOARD. THIS IS REFERED TO AS THE  
"CONNECTOR KEEP OUT ZONE" AND DOES NOT REPRESENT THE ACTUAL PERIMETER  
OF THE CONNECTOR.
11. MARKING: LOCATED APPROXIMATELY AS SHOWN, ON BOTTOM OR TOP HOUSING.  
PART NUMBER AND DATE CODE.

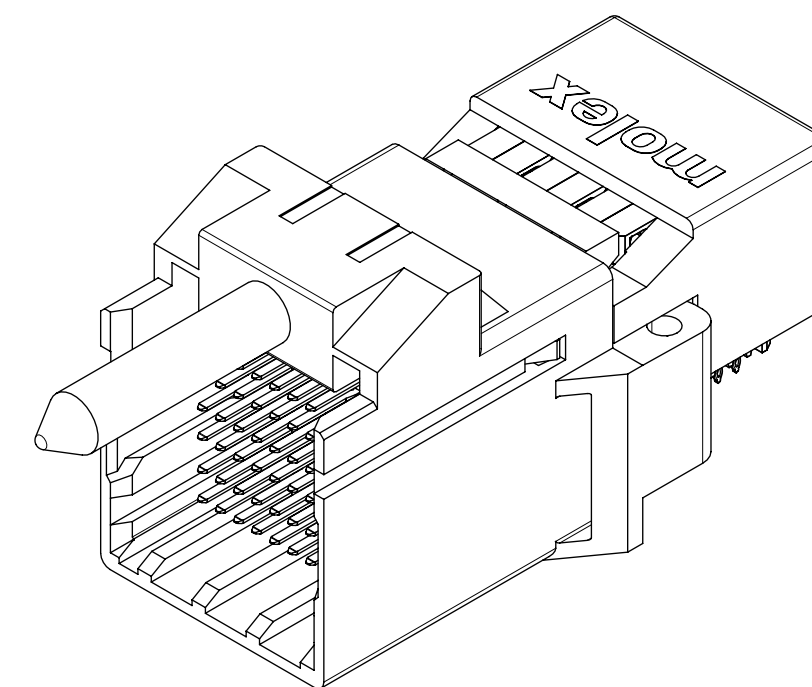
**171573-7 6 \* \***

MODULE TYPE  
7 = TOP GUIDED, TIN

# OF COLUMNS  
6 = 6 COLUMN

PIN LENGTH (P)  
4 = 4.90 (0.46 PTH)  
5 = 5.50 (0.46 PTH)  
7 = 4.90 (0.39 PTH)  
8 = 5.50 (0.39 PTH)

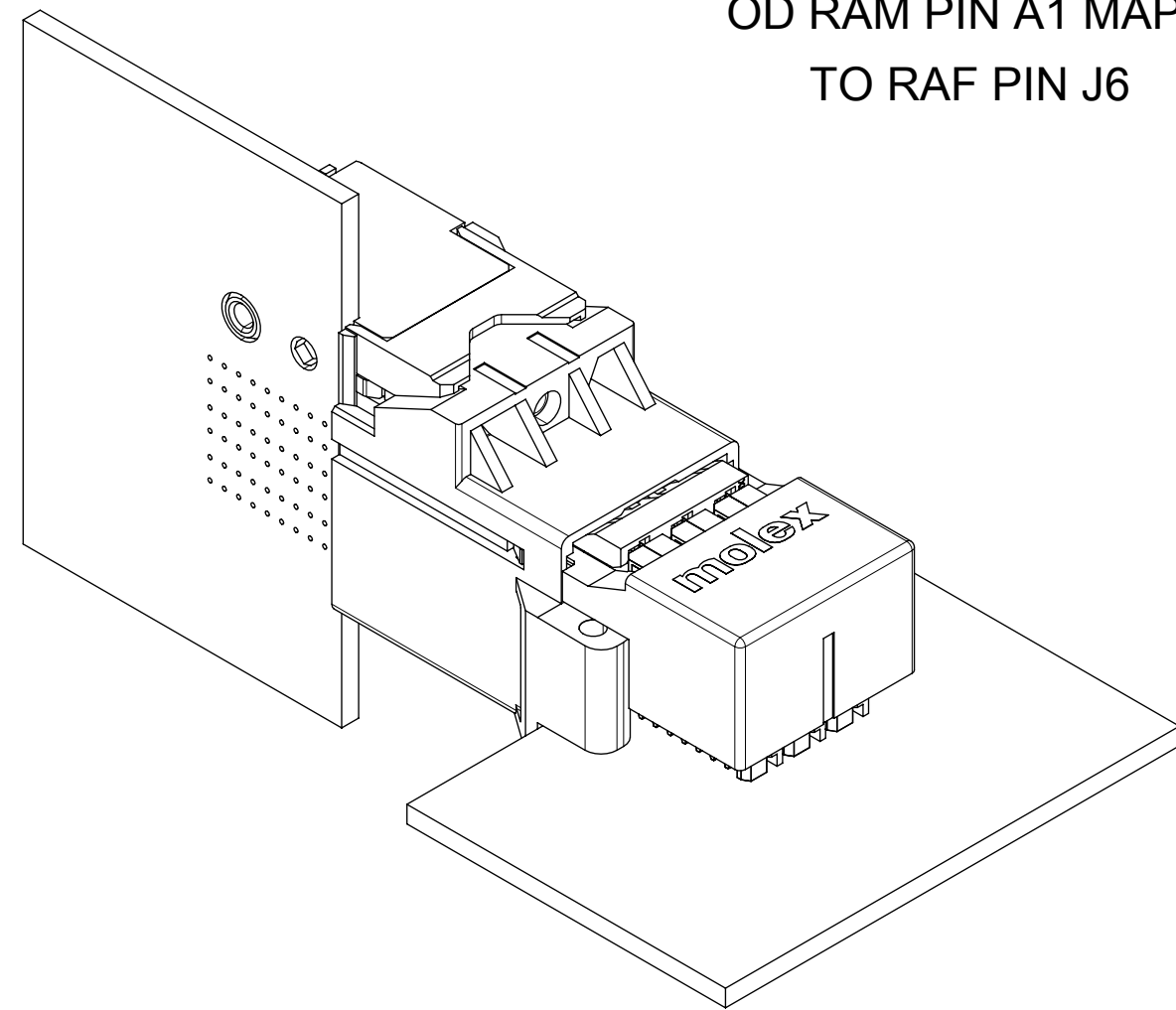
MATE POSITION  
0 = 90 DEGREE  
3 = 270 DEGREE



FUNCTIONAL SYMBOLS	THIS DRAWING CONTAINS INFORMATION THAT IS PROPRIETARY TO MOLEX ELECTRONIC TECHNOLOGIES, LLC AND SHOULD NOT BE USED WITHOUT WRITTEN PERMISSION									
	DIMENSION UNITS	SCALE	CURRENT REV DESC: MIGRATED TO NX & CORRECTED 3 DIMENSIONS @ SHT_1 (F07, F06 & E06).							
$\nabla_A = 0$	mm	NTS	GENERAL TOLERANCES (UNLESS SPECIFIED)		EC NO: 655850					<b>IMPACT ORTHOGONAL DIRECT</b> <b>3 PAIR RAM 90 &amp; 270 ASSY TOP GUIDED SALES</b> <b>DRAWING</b>
$\nabla_C = 0$			ANGULAR TOL $\pm 0.5^\circ$		DRWN: ABN 2018/08/29					
$\nabla_P = 0$			4 PLACES $\pm$		CHK'D: SHONG 2021/02/18					<b>SD-171573-0002</b>
DIVISIONAL SYMBOLS			3 PLACES $\pm$		APPR: SHONG 2021/02/18					
			2 PLACES $\pm 0.13$		INITIAL REVISION:					<b>2 OF 4</b>
			1 PLACE $\pm 0.25$		DRWN: JMENDOZA 2012/12/14					
			0 PLACES $\pm$		APPR: JMENDOZA 2012/12/14					
DRAFT WHERE APPLICABLE MUST REMAIN WITHIN DIMENSIONS			THIRD ANGLE PROJECTION		DRAWING	SERIES	MATERIAL NUMBER	CUSTOMER	SHEET NUMBER	
					C-SIZE	171573	SEE CHART	GENERAL MARKET	2 OF 4	

# ORTHO POSITION 90°

OD RAM PIN A1 MAPS  
TO RAF PIN J6



REFER TO MOLEX SALES DRAWING SD-76860-002  
FOR MATING RECEPTACLES.

ORTHO PIN MAPPING					
OPTION 90 (NEARSIDE - FARSIDE)					
A1-J6	A2-H6	A3-F6	A4-E6	A5-C6	A6-B6
B1-J5	B2-G6	B3-F5	B4-D6	B5-C5	B6-A6
C1-H5	C2-G5	C3-E5	C4-D5	C5-B5	C6-A5
D1-J4	D2-H4	D3-F4	D4-E4	D5-C4	D6-B4
E1-J3	E2-G4	E3-F3	E4-D4	E5-C3	E6-A4
F1-H3	F2-G3	F3-E3	F4-D3	F5-B3	F6-A3
G1-J2	G2-H2	G3-F2	G4-E2	G5-C2	G6-B2
H1-J1	H2-G2	H3-F1	H4-D2	H5-C1	H6-A2
J1-H1	J2-G1	J3-E1	J4-D1	J5-B1	J6-A1

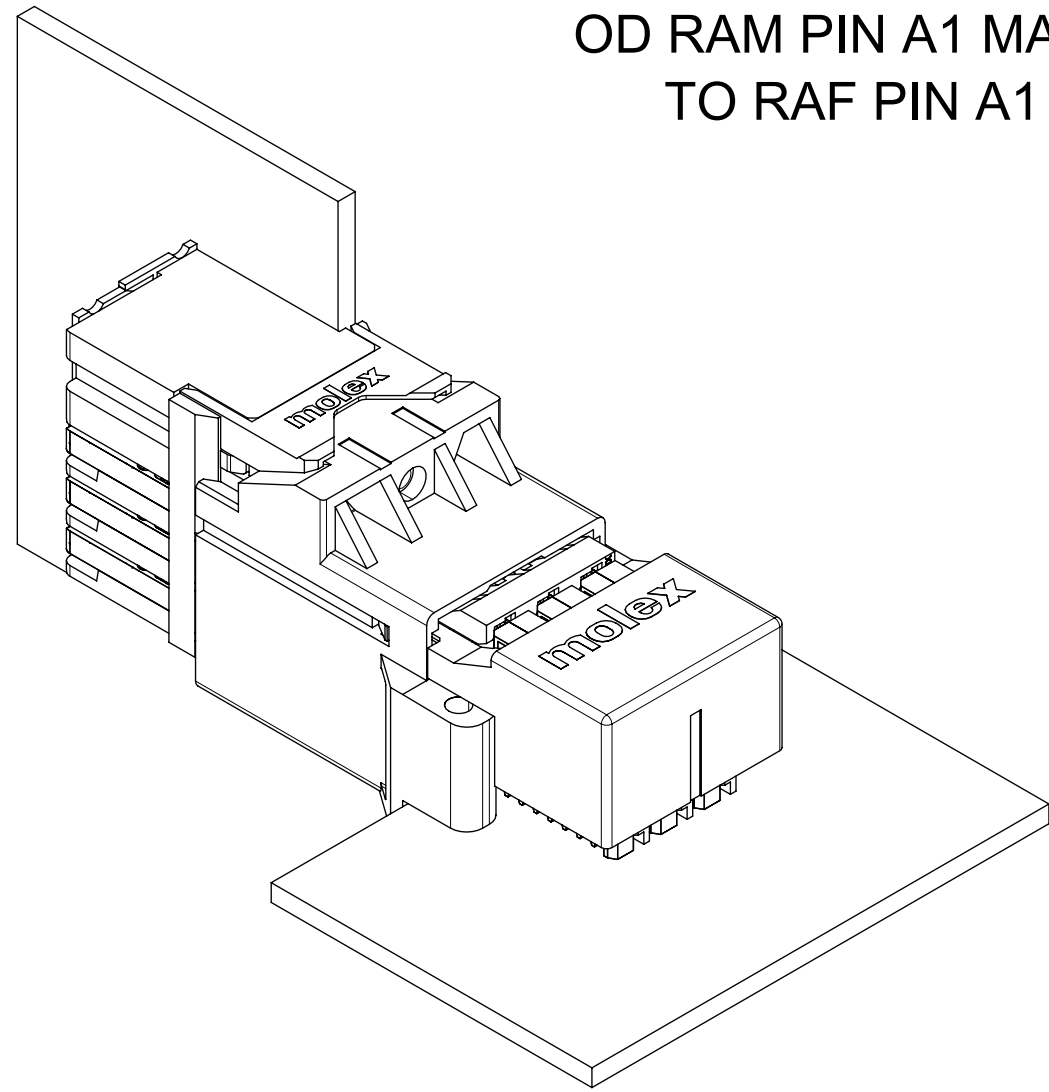
NOTE: PINOUTS SHOWN IN BALLOONS ARE GROUNDS.  
GROUND PATHS ARE NOT DISCRETE CIRCUITS.

MATERIAL NUMBER	# OF COLUMNS	# OF DIFF PAIR	MATE POSITION	DIM P	PTH Ø
171573-7604	6	18	90	4.90	0.46±0.05
171573-7605	6	18	90	5.50	0.46±0.05
171573-7607	6	18	90	4.90	0.39±0.05
171573-7608	6	18	90	5.50	0.39±0.05

<b>FUNCTIONAL SYMBOLS</b> $\nabla_A = 0$ $\nabla_C = 0$ $\nabla_P = 0$ <b>DIVISIONAL SYMBOLS</b> 3 PLACES ± 2 PLACES ± 0.13 1 PLACE ± 0.25 0 PLACES ±	THIS DRAWING CONTAINS INFORMATION THAT IS PROPRIETARY TO MOLEX ELECTRONIC TECHNOLOGIES, LLC AND SHOULD NOT BE USED WITHOUT WRITTEN PERMISSION DIMENSION UNITS: <b>mm</b> SCALE: <b>NTS</b>		CURRENT REV DESC: MIGRATED TO NX & CORRECTED 3 DIMENSIONS @ SHT_1 (F07, F06 & E06). EC NO: 655850 DRWN: ABN 2018/08/29 CHK'D: SHONG 2021/02/18 APPR: SHONG 2021/02/18		 <b>IMPACT ORTHOGONAL DIRECT</b> <b>3 PAIR RAM 90 &amp; 270 ASSY TOP GUIDED SALES</b> <b>DRAWING</b> PRODUCT CUSTOMER DRAWING					
	GENERAL TOLERANCES (UNLESS SPECIFIED) ANGULAR TOL ± 0.5°		INITIAL REVISION: DRWN: JMENDOZA 2012/12/14 APPR: JMENDOZA 2012/12/14			DOCUMENT NUMBER <b>SD-171573-0002</b>	DOC TYPE <b>PSD</b>	DOC PART <b>001</b>	REVISION <b>C1</b>	
	DRAFT WHERE APPLICABLE MUST REMAIN WITHIN DIMENSIONS		THIRD ANGLE PROJECTION 	DRAWING <b>C-SIZE</b>		SERIES <b>171573</b>	MATERIAL NUMBER SEE CHART	CUSTOMER GENERAL MARKET	SHEET NUMBER 3 OF 4	
	<b>DOCUMENT STATUS</b> P1		<b>RELEASE DATE</b> 2021/02/18 15:00:58							

# ORTHO POSITION 270°

OD RAM PIN A1 MAPS  
TO RAF PIN A1



REFER TO MOLEX SALES DRAWING SD-76860-004  
FOR MATING RECEPTACLES.

ORTHO PIN MAPPING					
OPTION 270 (NEARSIDE - FARSIDE)					
A1-A1	A2-B1	A3-D1	A4-E1	A5-G1	A6-H1
B1-A2	B2-C1	B3-D2	B4-F1	B5-G2	B6-J1
C1-B2	C2-C2	C3-E2	C4-F2	C5-H2	C6-J2
D1-A3	D2-B3	D3-D3	D4-E3	D5-G3	D6-H3
E1-A4	E2-C3	E3-D4	E4-F3	E5-G4	E6-J3
F1-B4	F2-C4	F3-E4	F4-F4	F5-H4	F6-J4
G1-A5	G2-B5	G3-D5	G4-E5	G5-G5	G6-H5
H1-A6	H2-C5	H3-D6	H4-F5	H5-G6	H6-J5
J1-B6	J2-C6	J3-E6	J4-F6	J5-H6	J6-J6

NOTE: PINOUTS SHOWN IN BALLOONS ARE GROUNDS.  
GROUND PATHS ARE NOT DISCRETE CIRCUITS.

MATERIAL NUMBER	# OF COLUMNS	# OF DIFF PAIR	MATE POSITION	DIM P	PTH Ø
171573-7634	6	18	270	4.90	0.46±0.05
171573-7635	6	18	270	5.50	0.46±0.05
171573-7637	6	18	270	4.90	0.39±0.05
171573-7638	6	18	270	5.50	0.39±0.05

<b>FUNCTIONAL SYMBOLS</b> $\frac{F}{A} = 0$ $\frac{F}{C} = 0$ $\frac{F}{P} = 0$ <b>DIVISIONAL SYMBOLS</b> 3 PLACES ± 2 PLACES ± 0.13 1 PLACE ± 0.25 0 PLACES ±	THIS DRAWING CONTAINS INFORMATION THAT IS PROPRIETARY TO MOLEX ELECTRONIC TECHNOLOGIES, LLC AND SHOULD NOT BE USED WITHOUT WRITTEN PERMISSION DIMENSION UNITS: <b>mm</b> SCALE: <b>NTS</b>		CURRENT REV DESC: MIGRATED TO NX & CORRECTED 3 DIMENSIONS @ SHT_1 (F07, F06 & E06). EC NO: 655850 DRWN: ABN 2018/08/29 CHK'D: SHONG 2021/02/18 APPR: SHONG 2021/02/18		 <b>IMPACT ORTHOGONAL DIRECT</b> <b>3 PAIR RAM 90 &amp; 270 ASSY TOP GUIDED SALES</b> <b>DRAWING</b> PRODUCT CUSTOMER DRAWING		
	GENERAL TOLERANCES (UNLESS SPECIFIED) ANGULAR TOL ± 0.5°		INITIAL REVISION: DRWN: JMENDOZA 2012/12/14 APPR: JMENDOZA 2012/12/14			DOCUMENT NUMBER: <b>SD-171573-0002</b>	
	DRAFT WHERE APPLICABLE MUST REMAIN WITHIN DIMENSIONS		THIRD ANGLE PROJECTION	DRAWING: <b>C-SIZE</b>		SERIES: <b>171573</b>	MATERIAL NUMBER: SEE CHART CUSTOMER: GENERAL MARKET
	DOC TYPE: PSD DOC PART: 001 REVISION: C1		SHEET NUMBER: 4 OF 4				