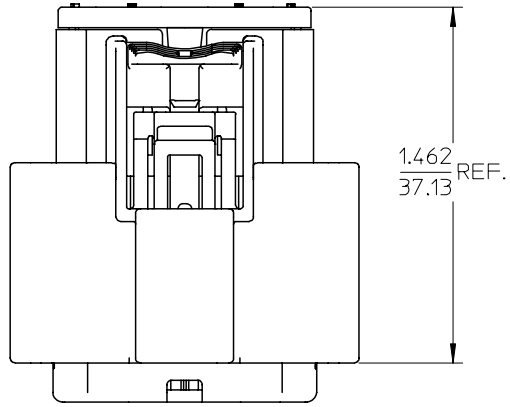
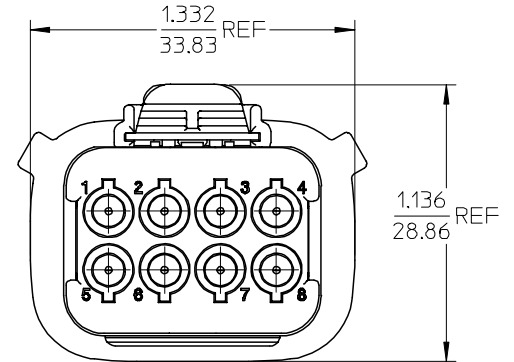
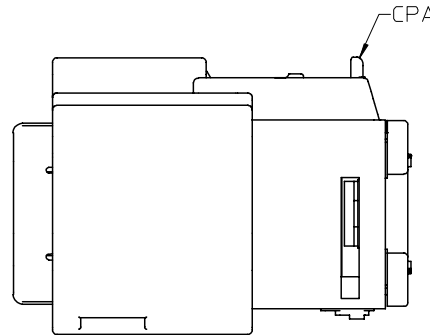
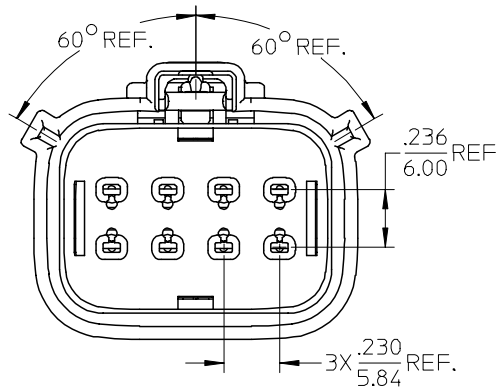
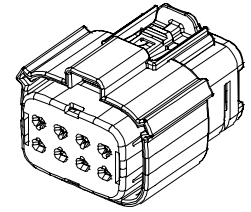


10 9 8 7 6 5 4 3 2 1



194180023	16-14	NO
194180022	22-18	
194180002	16-14	YES
194180001	22-18	
MATERIAL NUMBER	UL WIRE AWG	CPA



NOTES:

- MATERIALS:
HOUSING: POLYESTER (PBT), GLASS FILLED, UL94 V-0,
COLOR: BLACK.
SEALS: SILICONE RUBBER.
- PRODUCT SPECIFICATION: PS-19417-001.
- PACKAGING SPECIFICATION: PK-19418-001.
- MATES WITH: 19419 SERIES PLUG ASSEMBLIES.
- USE CONNECTOR WITH FEMALE CRIMP TERMINAL SERIES 19420.

REVISED EC NO: DRW: JPAMLCK 2005/08/30 CHKD: JPAMLCK 2005/09/12 APPR: JPAMLCK 2005/09/12	DESCRIPTION B1	QUALITY SYMBOLS	GENERAL TOLERANCES (UNLESS SPECIFIED)	DIMENSION STYLE	SCALE	DESIGN UNITS	THIRD ANGLE PROJECTION																																		
		$\nabla=0$ $\nabla=0$	<table border="1"> <thead> <tr> <th></th> <th>mm</th> <th>INCH</th> </tr> </thead> <tbody> <tr> <td>4 PLACES</td> <td>± ---</td> <td>± ---</td> </tr> <tr> <td>3 PLACES</td> <td>± ---</td> <td>± .015</td> </tr> <tr> <td>2 PLACES</td> <td>± 0.38</td> <td>± ---</td> </tr> <tr> <td>1 PLACE</td> <td>± ---</td> <td>± ---</td> </tr> </tbody> </table>		mm	INCH	4 PLACES	± ---	± ---	3 PLACES	± ---	± .015	2 PLACES	± 0.38	± ---	1 PLACE	± ---	± ---	<table border="1"> <thead> <tr> <th>DRAWN BY</th> <th>DATE</th> </tr> </thead> <tbody> <tr> <td>BRUPERT</td> <td>12/06/02</td> </tr> <tr> <th>CHECKED BY</th> <th>DATE</th> </tr> <tr> <td>JPAWLICK</td> <td>12/06/02</td> </tr> <tr> <th>APPROVED BY</th> <th>DATE</th> </tr> <tr> <td>RDEROSS</td> <td>12/06/02</td> </tr> </tbody> </table>	DRAWN BY	DATE	BRUPERT	12/06/02	CHECKED BY	DATE	JPAWLICK	12/06/02	APPROVED BY	DATE	RDEROSS	12/06/02	<table border="1"> <thead> <tr> <th>TITLE</th> </tr> </thead> <tbody> <tr> <td>8 WAY RECEPTACLE ASSEMBLY, KEY A POLARIZATION</td> </tr> </tbody> </table>	TITLE	8 WAY RECEPTACLE ASSEMBLY, KEY A POLARIZATION	<table border="1"> <thead> <tr> <th>MATERIAL NO.</th> <th>DOCUMENT NO.</th> <th>SHEET NO.</th> </tr> </thead> <tbody> <tr> <td>SEE CHART</td> <td>SD-19418-003</td> <td>1 OF 1</td> </tr> </tbody> </table>	MATERIAL NO.	DOCUMENT NO.	SHEET NO.	SEE CHART	SD-19418-003	1 OF 1
			mm	INCH																																					
		4 PLACES	± ---	± ---																																					
3 PLACES	± ---	± .015																																							
2 PLACES	± 0.38	± ---																																							
1 PLACE	± ---	± ---																																							
DRAWN BY	DATE																																								
BRUPERT	12/06/02																																								
CHECKED BY	DATE																																								
JPAWLICK	12/06/02																																								
APPROVED BY	DATE																																								
RDEROSS	12/06/02																																								
TITLE																																									
8 WAY RECEPTACLE ASSEMBLY, KEY A POLARIZATION																																									
MATERIAL NO.	DOCUMENT NO.	SHEET NO.																																							
SEE CHART	SD-19418-003	1 OF 1																																							
DRAFT WHERE APPLICABLE MUST REMAIN WITHIN DIMENSIONS			<table border="1"> <thead> <tr> <th>SIZE</th> <th colspan="7">THIS DRAWING CONTAINS INFORMATION THAT IS PROPRIETARY TO MOLEX INCORPORATED AND SHOULD NOT BE USED WITHOUT WRITTEN PERMISSION</th> </tr> </thead> <tbody> <tr> <td>B</td> <td colspan="7"></td> </tr> </tbody> </table>					SIZE	THIS DRAWING CONTAINS INFORMATION THAT IS PROPRIETARY TO MOLEX INCORPORATED AND SHOULD NOT BE USED WITHOUT WRITTEN PERMISSION							B																									
SIZE	THIS DRAWING CONTAINS INFORMATION THAT IS PROPRIETARY TO MOLEX INCORPORATED AND SHOULD NOT BE USED WITHOUT WRITTEN PERMISSION																																								
B																																									
<table border="1"> <thead> <tr> <th>IN/MM</th> <th>INCH</th> </tr> </thead> <tbody> <tr> <td>IN/MM</td> <td>INCH</td> </tr> </tbody> </table>								IN/MM	INCH	IN/MM	INCH																														
IN/MM	INCH																																								
IN/MM	INCH																																								
<table border="1"> <thead> <tr> <th>MOLEX</th> <th>MOLEX INCORPORATED</th> </tr> </thead> <tbody> <tr> <td>MOLEX</td> <td>MOLEX INCORPORATED</td> </tr> </tbody> </table>								MOLEX	MOLEX INCORPORATED	MOLEX	MOLEX INCORPORATED																														
MOLEX	MOLEX INCORPORATED																																								
MOLEX	MOLEX INCORPORATED																																								

9 8 7 6 5 4 3 2 1