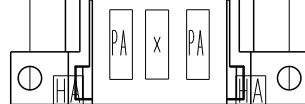
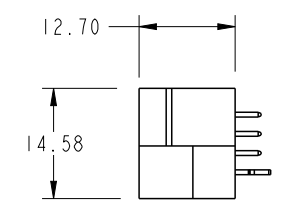
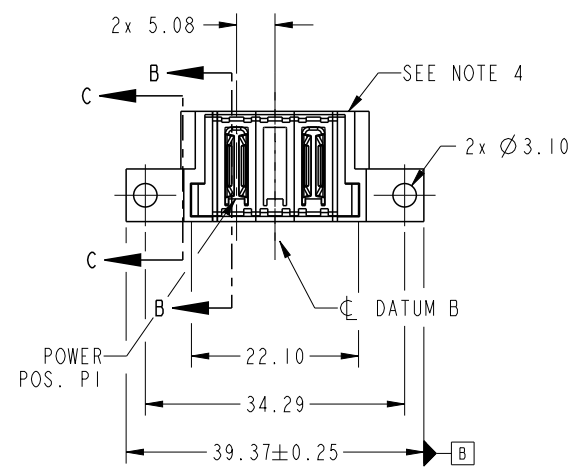
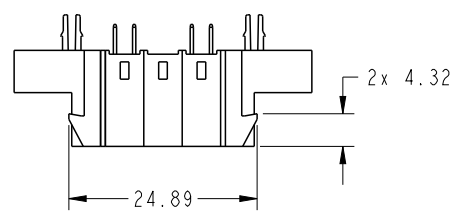


PRODUCT NO. 51963-083-- NOTE ③	POWER				
	E1	P1	P2	P3	E2

CODE	DIM "M" MATING LENGTH	CONTACT TYPE
PA	[N/A]	POWER
HA	[N/A]	HOLD-DOWN
X	[N/A]	OMITTED

spec ref	-	dr	Ruan MT	2014/04/09	projection	MM	size	A4	scale	1:1
tolerance std	TOLERANCES UNLESS OTHERWISE SPECIFIED	eng	De-Ming Lu	2014/04/15			ecn no	-	rel level	Released
SEE NOTE		chr	-	-						
surface		appr	Pei-Ming Zheng	2014/04/15						
	linear	0.X	±0.5		title	3DCP	dwg no	51963-083	rev	A
		0.XX	±0.25							
	angular	0°	±2°							
		www.fci.com		cat. no.	&model_name	Product - Customer Drw	sheet 1 of 4			

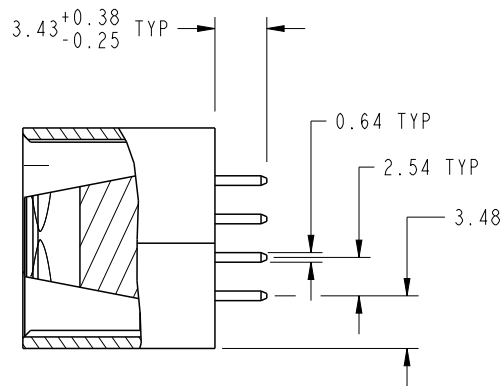
PrdE File - REV C - 2009-06-09



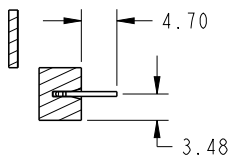
Copyright FCI.

PRODUCT NUMBER

51963-083__
NOTE 3



SECTION B-B
SCALE 2:1

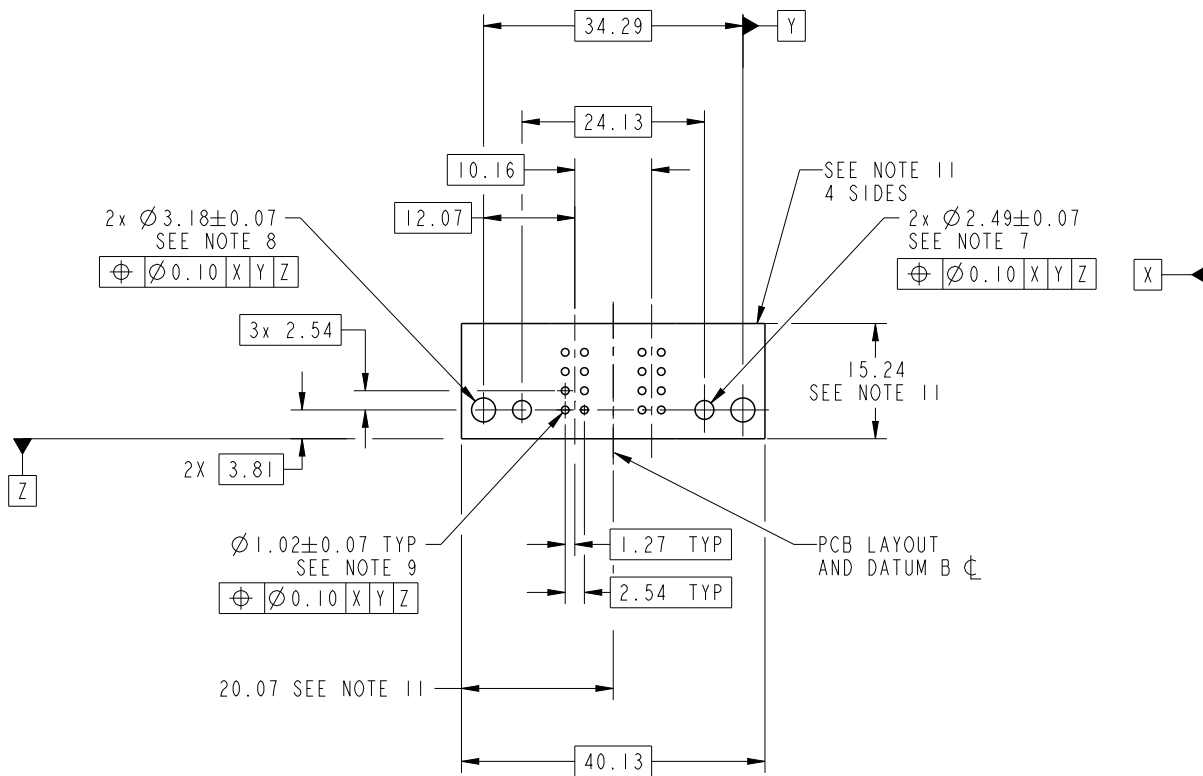


SECTION C-C

dr	Ruan MT	2014/04/09	projection 	MM 	size	A4	scale	1:1			
eng	De-Ming Lu	2014/04/15			ecn no	-					
chr	-	-			product family	PwrBlade	rel level	Released			
appr	Pei-Ming Zheng	2014/04/15			title	3DCP		dwg no	51963-083	rev	A
www.fci.com		cat. no.	&model_name	Product - Customer Drw			sheet 2 of 4				

PRODUCT NUMBER

51963-083__
NOTE 3



dr	Ruan MT	2014/04/09	projection 	MM 	size	A4	scale	1:1
eng	De-Ming Lu	2014/04/15			ecn no	-		
chr	-	-						
appr	Pei-Ming Zheng	2014/04/15	product family	PwrBlade	rel level	Released		
	title	3DCP VERTICAL SOLDER HEADER		dwg no	51963-083		rev	A
www.fci.com	cat. no.	&model_name	Product - Customer Drw		sheet 3 of 4			

PRODUCT NUMBER

51963-083__
NOTE 3

NOTES:

1. DIMENSIONS AND TOLERANCES ARE IN ACCORDANCE WITH ASME Y14.5M, 1994 UNLESS OTHERWISE SPECIFIED.

CONNECTOR NOTES:

- ② HOUSING MATERIAL: UL 94 V-0 GLASS FILLED HIGH-TEMP THERMOPLASTIC
POWER CONTACT MATERIAL: COPPER ALLOY
SIGNAL PIN MATERIAL: COPPER ALLOY
- 3. PLATING:
SEE ITEM 1 & 2 IN PRINT 10064183 FOR PLATING SPEC OF 51963-083; 51963-083LF PRESPECTIVELY

④ MANUFACTURER'S NAME, DATE CODE AND OPTIONAL P/N TO APPEAR ON THIS SURFACE.
THE P/N CAN BE OMITTED IF THERE IS NOT ENOUGH SPACE ON THIS SURFACE

5. PRODUCT SPECIFICATION GS-12-149.
APPLICATION SPECIFICATION BUS-20-067.

6. PACKAGED IN TRAYS.

PCB NOTES:

- 7. ALL HOLE DIAMETERS ARE FINISHED HOLE SIZE.
- 8. MOUNTING HOLES, WHERE APPLICABLE, ARE UNPLATED.

⑨ $\varnothing 1.151 \pm 0.025$ DRILLED HOLES PLATED WITH
0.008 MIN SnPb OR Sn OVER .001 [0.03]
TO 0.08 Cu PLATING TO ACHIEVE
 $\varnothing 1.02 \pm .07$ HOLE.

⑩ "DIM XXX" TO BE DETERMINED BY THE CUSTOMER.

⑪ CONNECTOR KEEP-OUT ZONE.

A

B

C

D

A

B

C

D



Copyright FCI.

dr	Ruan MT	2014/04/09	projection 	MM 	size	A4	scale	1:1
eng	De-Ming Lu	2014/04/15			ecn no	-		
chr	-	-			product family	PwrBlade	rel level	Released
appr	Pei-Ming Zheng	2014/04/15			title	3DCP		rev
www.fci.com			cat. no.		&model_name		Product - Customer Drw	sheet 4 of 4
			title		VERTICAL SOLDER HEADER		dwg no	51963-083
							rev	A