

# PEAMW6I Power Supply Series (6W)



## Features:

- IEC 60601-1-2:2014 4th Edition EMC Compliant
- Class II Double Insulated (2 MOPP Rated)
- Meets Efficiency Level VI Requirements
- Interchangeable Plugs for Worldwide Use
- Optional USB (5V only) or Cable Output
- Short Circuit Protection
- Overload Protection



## Description:

The PEAMW6I series of AC/DC wall mount switching power supplies provide 6 watts of continuous power. They are Class II devices with interchangeable AC plugs that provide ease of use in several regions throughout the world and can be provided with a USB output connector. All devices in series meet FCC, EN55011, and CISPR11 class B emission limits, and comply with UL, IEC, DOE level VI, CE, and more.

Model Number	Voltage	Current	Total Power	Output Regulation	Ripple & Noise (P-P)	Efficiency Level
PEAMW6I-10-B1	5VDC	1.20A	6W	±5%	100mV	VI
PEAMW6I-10-USB	5VDC	1.20A	6W	±5%	100mV	VI
PEAMW6I-11-B1	9VDC	0.66A	6W	±5%	180mV	VI
PEAMW6I-12-B1	12VDC	0.50A	6W	±5%	180mV	VI

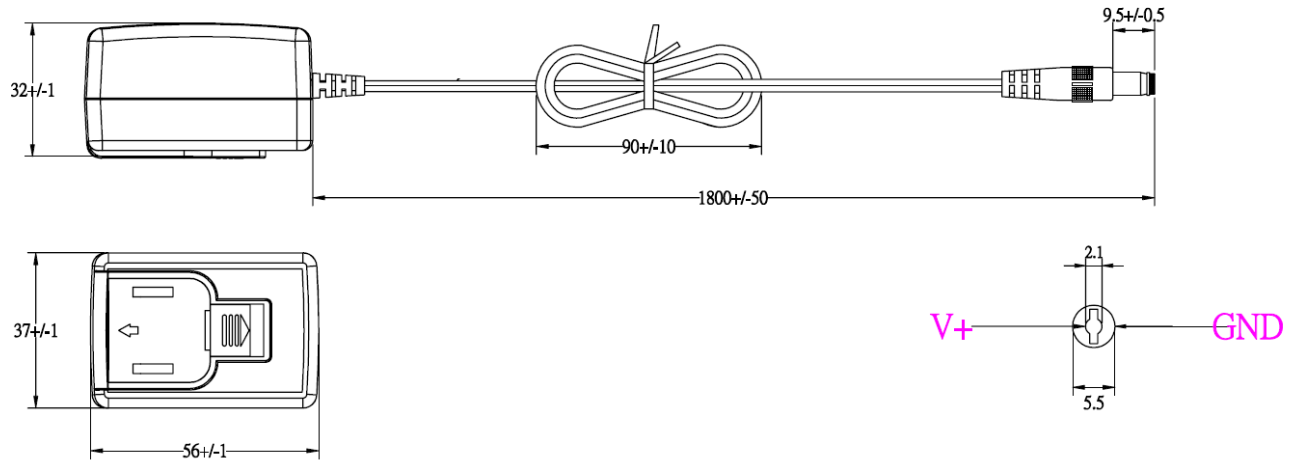
## NOTES:

- Ripple & Noise is measured using a 20MHz bandwidth oscilloscope with a 0.1uf ceramic capacitor and 4.7uf electrolytic capacitor in parallel across the output at full load and nominal line voltage.
- PEAMW6I-10-USB has a standard USB A output port. All other models have at 4ft cable terminated with a 5.5 x 2.1mm barrel connect-or. Consult PPI for custom connectors.
- Shipped with USA AC Blades; others ordered separately.

<b>Specifications</b>	
<b>Input</b>	
Input Voltage	90-264VAC
Input Frequency	47-63Hz
Input Current	<0.6A, 115VAC– 230VAC
Safety Isolation	4.0kVAC Input to Output
Inrush Current	<30A peak @ 115VAC, cold start at 25°C <60A peak @ 230VAC, cold start at 25°C
No Load Power	<100mW
<b>Output</b>	
Total Output Power	6W
Output Voltage	See table
Hold Up Time	>8.3m sec @ full load and 115VAC/60Hz input
Turn on Time	<3 seconds
Efficiency	Meets DOE level VI requirements
Minimum Load	No Minimum Load
Switching Frequency	50 kHz typical
Line Regulation	<± 1% of rated output voltage at full load
<b>Protection Features</b>	
Overvoltage Protection	150% Max. of rated voltage. Latching mode. Cycle AC for recovery
Overcurrent Protection	150% Max. of rated current. Auto-restart when fault removed.
Short Circuit Protection	Hiccup Mode. Auto Recovery
Ingress	IP22 Compliant
<b>Environmental</b>	
Operating Temperature	0°C to 60°C (Derate output power linearly from 100% at 40°C to 50% at 60°C)
Storage Temperature	-20°C to +85°C
Operating Humidity	10% - 90% non-condensing
Storage Humidity	5% - 90% non-condensing
Operating Altitude	<5000m
<b>General Specifications</b>	
Dimensions	2.20"(56.0mm)L x 1.46"(37.0mm)W x 1.26"(32.0mm)H
Weight	0.3 pounds
MTBF	>100,000 hours per MIL-HDBK-217F at full load and 25°C ambient
AC Input Receptacle	Interchangeable Plugs
DC output Plug	Barrel Type: 5.5mm x 2.1mm x 9.5mm Center positive (others upon request) Optional USB output for 5V models

<b>Specifications Continued</b>	
<b>Safety</b>	
Approved to USA/Canada	ANSI/AAMI ES60601-1 cUL ES60601-1
Approved to Europe	TUV EN60601-1 3rd edition CB Report
*Consult with TT Electronics for information on additional country safety approvals	
<b>EMC</b>	
EMC (IEC60601-1-2:2014)	FCC Class B Radiated & Conducted CISPR11 Class B Radiated & Conducted EN55011 Class B Radiated & Conducted
Harmonic Currents	IEC 61000-3-2
Voltage Flicker	IEC 61000-3-3
Electrostatic Discharge	IEC 61000-4-2: ±15kV Air, ±8kV contact
Radiated Immunity	IEC 61000-4-3: 10V/m
EFT/Burst	IEC 61000-4-4: ±2kV
Surge Immunity	IEC 61000-4-5: ±1kV
Conducted Immunity	IEC 61000-4-6: 10Vrms
Magnetic Field	IEC 61000-4-8: 30A/m
Dips/Interruptions	IEC 61000-4-11: Voltage dip immunity, 30% reduction for 500ms, 100% reduction for 10ms

## Diagrams



\*Shipped with USA AC Blades; others ordered separately.

