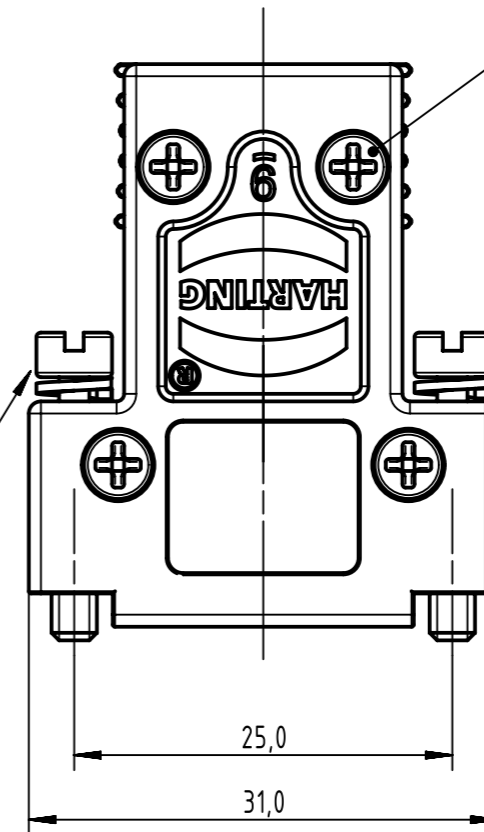
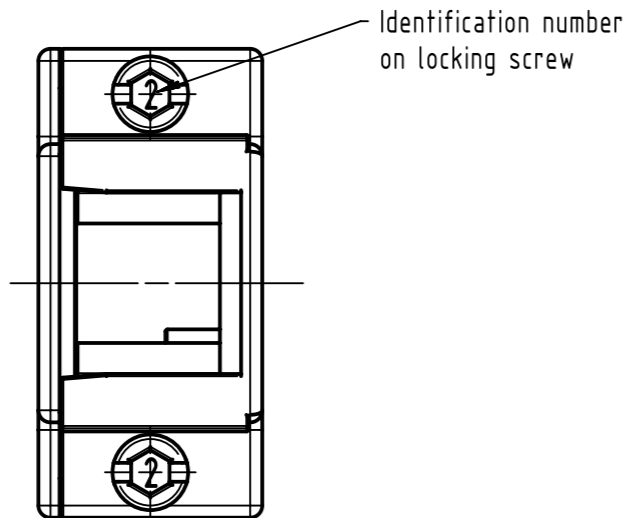


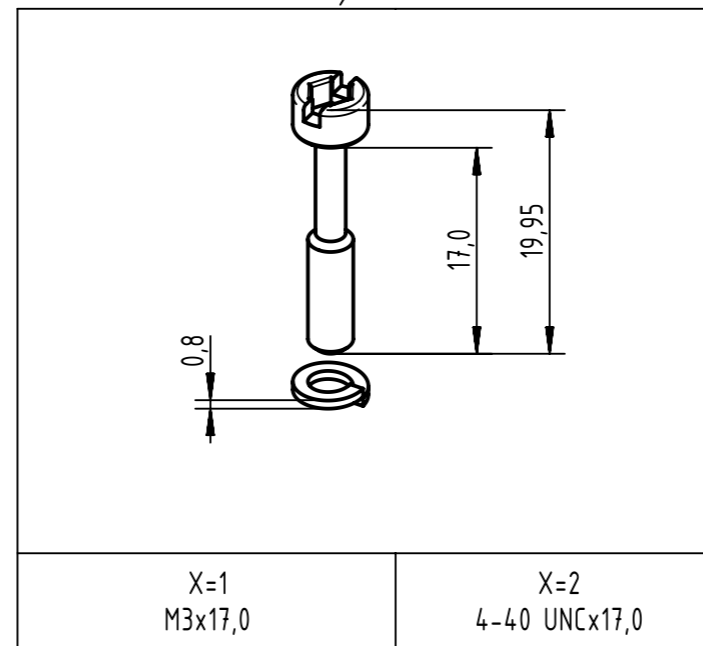
Hexagonal head screw driver
for cylinder head cap screw
Part number: 6103 600 0021
Max. torque = 0,4Nm



Cover screws(x4)
M2,5x8,0
Type Z phillips
Screwdriver head #1
Max. torque = 0,3Nm



Identification number
on locking screw



X=1
M3x17,0

X=2
4-40 UNCx17,0

Note: Full metal hood made with Zinc diecast

6103 001 X010 123		
6103 001 2010 123	4-40UNC x 17,0	2
6103 001 1010 123	M3 x 17,0	without number
Part number	Screw size	Identification number

	All rights reserved Department EC PD - CN HARTING Electronics GmbH D-32339 Espelkamp	All Dimensions in mm Original Size DIN A3	Scale 2:1	Free size tol.	Ref. Sub.
		Created by LUOK	Inspected by WANGSTE	Standardisation HOFFMANN	Date 2014-03-11
Title InduCom 9-pole straight full metal hood for coding					Doc-Key / ECM-Nr. 100233374/UGD/000/C 50000072589
Type TB		Number 6103001X010123			Rev. C
					Page 1/1