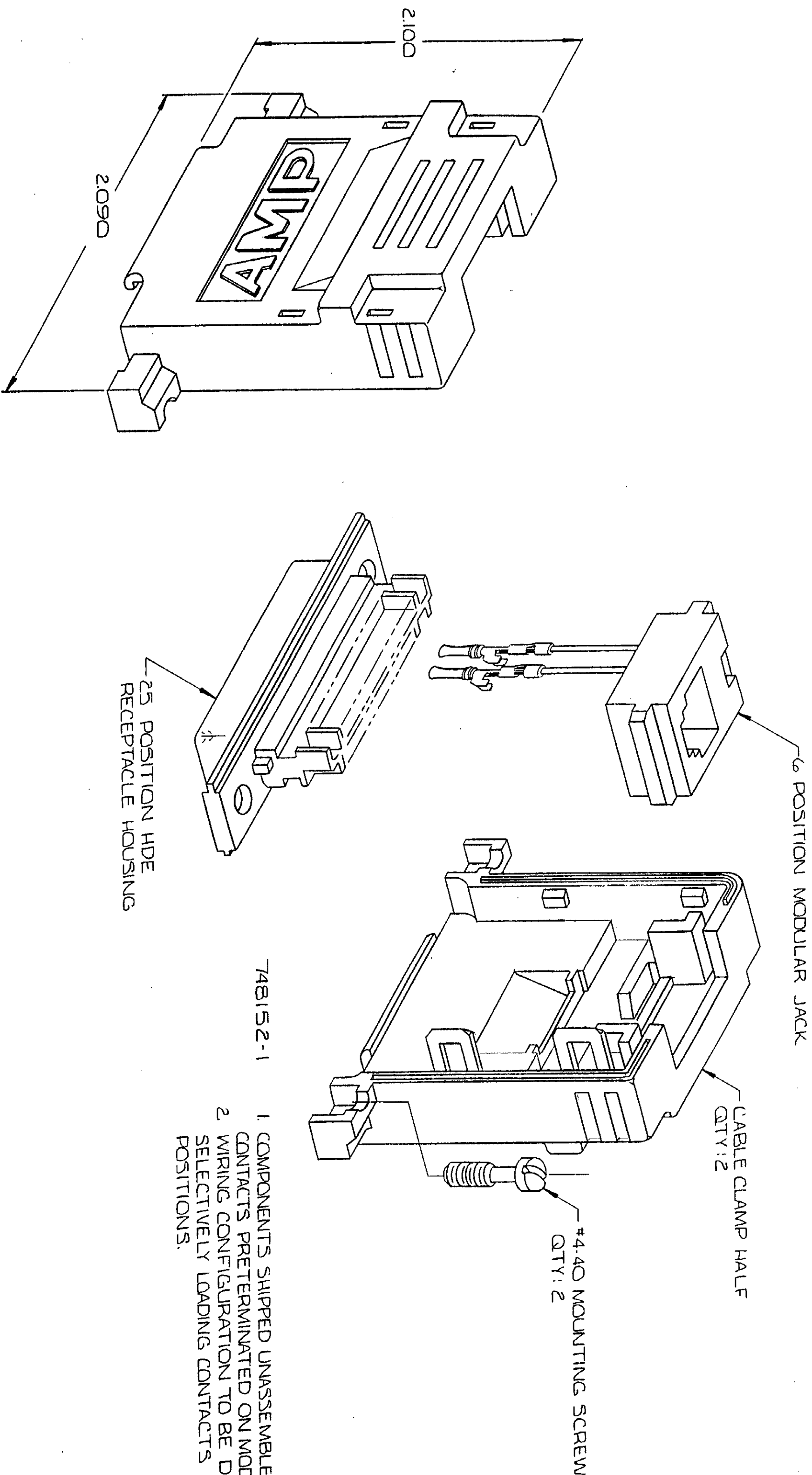


THIS DRAWING IS UNPUBLISHED. RELEASED FOR PUBLICATION  
 © COPYRIGHT 19 BY AMP INCORPORATED, HARRISBURG, PA. ALL INTERNATIONAL RIGHTS RESERVED. AMP PRODUCTS MAY BE COVERED BY U.S. AND FOREIGN PATENTS AND/OR PATENTS PENDING.

REVISIONS		DATE	APPROVED
P	ZONE LTR		
0	RELEASED		
1	REV-EQUN 1775	5/12/87	R

LOC R15T  
BD 39



- 748152-1
1. COMPONENTS SHIPPED UNASSEMBLED IN KIT FORM WITH CONTACTS PRETERMINATED ON MODULAR JACK WIRES.
  2. WIRING CONFIGURATION TO BE DETERMINED BY USER, SELECTIVELY LOADING CONTACTS INTO DESIRED CIRCUIT POSITIONS.

748152

UNLESS OTHERWISE SPECIFIED DIMENSIONS ARE IN INCHES. TOLERANCES ON: DECIMALS ± .010 ANGLES		CONTRACT NO		PART NO	
MATERIAL MOLDED PARTS: FLAME RETARDANT BLACK THERMOPLASTIC SCREWS: STEEL		DR <i>C. Richard</i> 11/11/85		AMP   AMP INCORPORATED Harrisburg, Pa. 17105	
FINISH SCREWS: ZINC PLATED		CHK <i>[Signature]</i> 11/22/85		NAME RS 232 / 6 POSITION MODULAR JACK INTERFACE CONNECTOR KIT, AMPLIMITE	
OTHER APPD		APPD <i>[Signature]</i> 11/12/85		SIZE C	
		DSGN APPD <i>[Signature]</i> 11/12/85		FSCM NO 00779	
				DRAWING NO 748152	
				SCALE NTS	
				SHEET	