

NOTES:

1. MATERIALS AND FINISHES:  
 BODY & CONTACT - BeCu, GOLD PLATING  
 INSULATORS - PTFE, NATURAL  
 RETAINER RING - BeCu, NICKEL PLATING
2. ELECTRICAL:  
 A. IMPEDANCE: 50 OHM  
 B. FREQUENCY RANGE: DC - 26.5 GHz  
 C. VSWR (RETURN LOSS): 1.20 MAX. (-20.8 dB MIN.) @ DC - 18 GHz  
 1.35 MAX. (-16.5 dB MIN.) @ 18 - 26.5 GHz  
 D. DIELECTRIC WITHSTANDING VOLTAGE: 500 VRMS, MIN.
3. MECHANICAL:  
 A. DURABILITY: 100 CYCLES MIN. WHEN MATED FULL DETENT JACK  
 500 CYCLES MIN. WHEN MATED LIMITED DETENT JACK  
 1000 CYCLES MIN. WHEN MATED A SMOOTH BORE JACK  
 B. TEMPERATURE RANGE: -65°C TO +165°C  
 C. MATING FORCES (PER DSCC #94007):  
 ENGAGEMENT: FULL DETENT: 15 LBS (67 N) MAX.  
 LIMITED DETENT: 10 LBS (45 N) MAX.  
 SMOOTH BORE: 2 LBS (9 N) MAX.  
 DISENGAGEMENT: FULL DETENT: 2 LBS (9 N) MIN.  
 LIMITED DETENT: 2 LBS (9 N) MIN.  
 SMOOTH BORE: 0.5 LBS (2.2 N) MIN.

THIRD ANGLE PROJ.

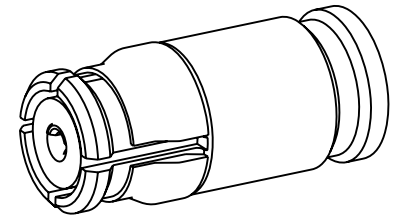
REVISIONS

REV	DESCRIPTION	DATE	ECO	APPR
A	RELEASE TO MFG	30-May-18	08221	BMG

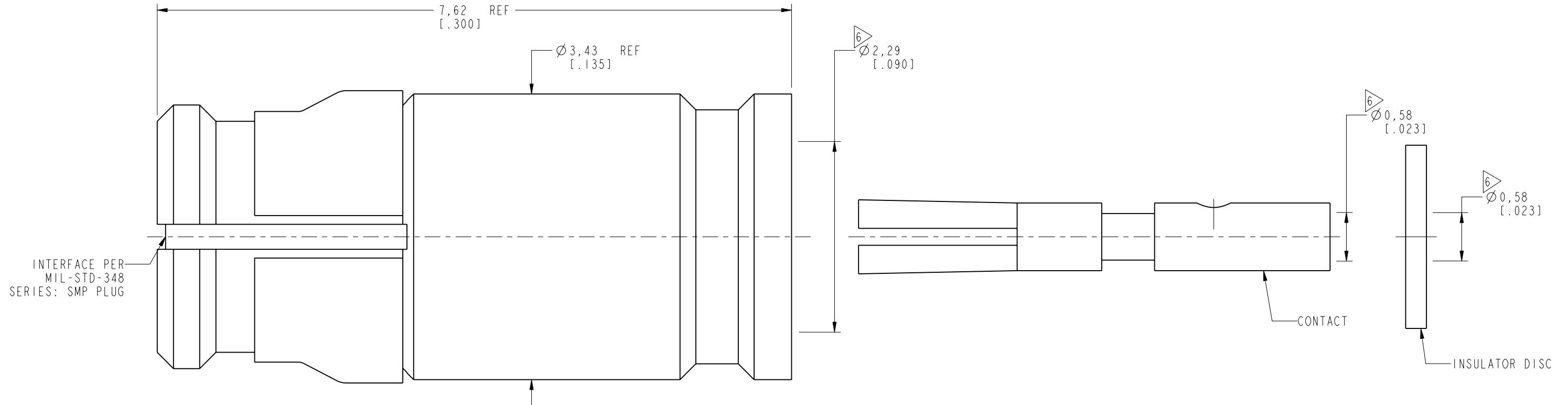
4. PACKAGING:  
 A. QUANTITY: SINGLE PACK  
 B. MARKING: BAG TO BE MARKED  
 "AMPHENOL RF, SMP-FS-C07-5, DATE CODE"

5. CABLE ASSEMBLY INSTRUCTIONS:  
 A. SEE AMPHENOL SPEC 349-50685.

SHOWS CABLE ENTRY DIMENSIONS.



SCALE 6.000



**CUSTOMER OUTLINE DRAWING**

ALL OTHER SHEETS ARE FOR INTERNAL USE ONLY

UNLESS OTHERWISE SPECIFIED, DIMENSIONS ARE IN METRIC AND TOLERANCES ARE: <0.5mm ±0.05mm    0.5 - 6mm ±0.1mm    6 - 30mm ±0.2mm    30 - 120mm ±0.3mm    ANGLES ±1°  NOTICE - These drawings, specifications, or other data (1) are, and remain the property of Amphenol corp. (2) must be returned upon request; and (3) are confidential and not to be disclosed to any person other than those to whom they are given by Amphenol Corp. the furnishing of these drawings, specifications, or other data by Amphenol Corp., or to any other person to anyone for any purpose is not to be regarded by implication or otherwise in any manner licensing, granting rights to permitting such holder or any other person to manufacture, use or sell any product, process or design, patented or otherwise, that may in any way be related to or disclosed by said drawings, specifications, or other data.	MATERIAL	DRAWN	DATE	TITLE	Amphenol RF www.amphenolrf.com DRAWING NO. SMP-FS-C07-5 ITEM NO. SMP-FS-C07-5 PART NO. SMP-FS-C07-5
	SEE NOTES	K. SONG	02-Jun-18	SMP STR PLUG WITH ANTI-ROCK RING FOR RG405 OR .086" SEMI RIGID	
	REFERENCE EAR # 8016 AND SMP-FS-C07	KARTHIK R	05-Dec-17	SCALE: 21.0:1.0   SHEET 2 OF 2	
	CONFIGURATION LEVEL: In Work	S. HSIEH	05-Jun-18	DWG SIZE B    REV A	