

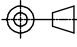


# CODE 54 - LOW PROFILE HEAT SHRINK BOOT BACKSHELL

201M916-19C

SERIES \_\_\_\_\_  
 ORDER NUMBER (TABLE 1) \_\_\_\_\_  
 MATERIAL \_\_\_\_\_  
 REFER TO CH00-0250-004  
 FINISH \_\_\_\_\_  
 REFER TO CH00-0250-004  
 MODIFICATION CODE \_\_\_\_\_  
 REFER TO CH00-0250-004 (2)

## NOTES:

1. THIS PRODUCT IS DESIGNED TO TERMINATE A HEAT SHRINKABLE LIPPED BOOT TO A CONNECTOR.
- (2) FOR ADDITIONAL DIMENSIONS, ORDERING INFORMATION AND MODIFICATIONS, SEE CH00-0250-004.
3. BACKSHELL TO BE PERMANENTLY MARKED/BAGGED AND LABELLED WITH CODE IDENTIFICATION NUMBER AND PART NUMBER. (e.g. 06090-201M916-19B YYWW).
- (4) BACKSHELL MATES TO MIL-C-81703, SERIES III, MS3424, MS3446, MS3464, MS3467, MS3468, CLASS E & L
- (5) BACKSHELL MATES TO MIL-C-5015G, MS3400 SERIES, CLASS D, E, K, L, U & W, MS3400, MS3401, MS3404, MS3406, MS3450, MS3451, MS3454, MS3456, MS3470, MS3471, MS3472, MS3474, MS3475, MS3476. MIL-C-83723, SERIES II, CLASS A & L. MIL-C-83723, SERIES I & III, CLASS A, G, K, R & S: M83723/1, /2, /3, /4, /5, /6, /7, /8, /13, /14, /36, /37, /38, /40, /41, /42, /43, /48, /49, /65, /66, /67, /68, /69, /70, /71, /72, /73, /74, /75, /76, /77, /78, /82, /83, /84, /85, /86, /87, /91, /92, /95, /97, /98, (MS3155 CONTROLLED INTERFACE).
6. THIS PRODUCT IS A FUNCTIONAL EQUIVALENT OF SAE-AS85049/60-2.

DRAWN	K.WINCZURA	DATE 18/02/2015	 3RD ANGLE PROJECTION NOT TO SCALE	<b>TITLE:</b>  LOW PROFILE HEAT SHRINK BOOT BACKSHELL(CODE 54)	 <b>Polamco</b>  connectivity	
CHECKED		18/02/2015				
APPROVED	K.SHEPPARD	25/02/2015				UNLESS OTHERWISE SPECIFIED ALL DIMENSIONS IN MILLIMETRES GENERAL TOL LINEAR +/-0.25MM ANGULAR +/- 1°
APPROVED	H.SMITH	20/08/2015				
<b>REVISIONS</b>				<b>ASSY USED ON:</b>  MIL-DTL-26482 SERIES II, MIL-DTL-83723 SERIES I & III		
LTR	DESCRIPTION	DATE	APPROVED			
K	REVISED PER ECO-15-003652	03/06/2015	I.MYONG			
L	REVISED PER ECO-15-012000	20/08/2015	H.SMITH			
TE CAGE CODE: 06090 POLAMCO/TE CAGE CODE: U5792				TE CONNECTIVITY - POLAMCO LTD RESERVES THE RIGHT TO AMEND THIS DRAWING AND THE INFORMATION SET FORTH HEREON AT ANY TIME. USERS SHOULD INDEPENDENTLY EVALUATE THE SUITABILITY OF THE PRODUCT FOR THEIR APPLICATION.	DRAWING NO: <b>201M9XX</b>	
				DRAWING REV: <b>L</b>	SHT <b>1</b>	

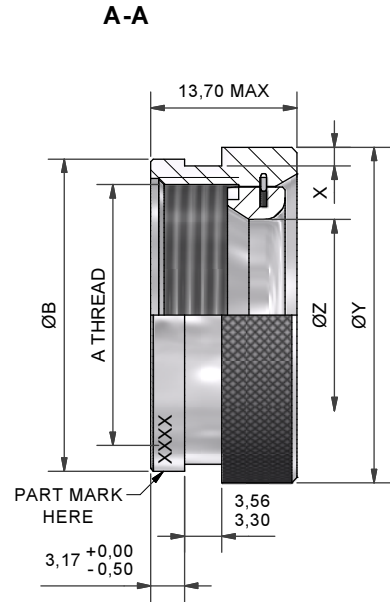
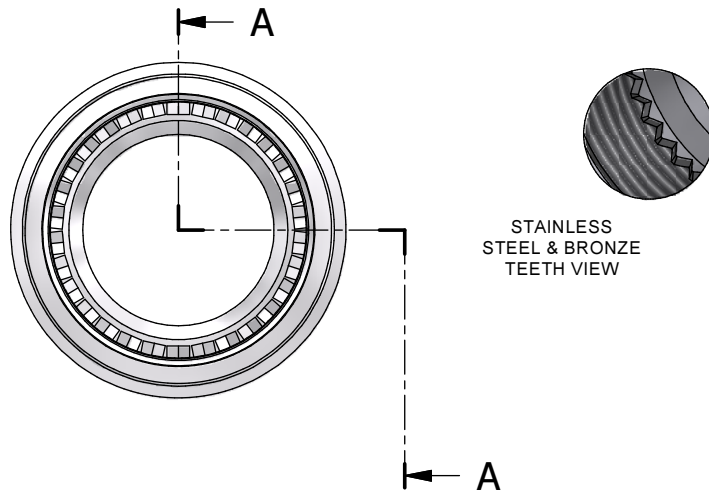
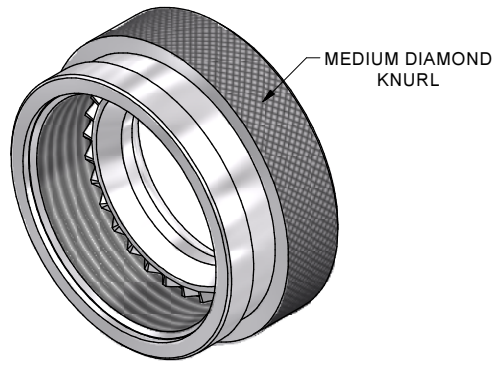


TABLE 1

BASE PART NUMBER	SHELL SIZE	A	ØB	ØZ	ØY	X
201M903	3	9/16 -24UNEF	18,0	6,5	19,1	1,12
201M908	8 & 8S	1/2 -20UNF	16,6	6,6	17,4	1,12
201M910	10, 10S & 10SL	5/8 -24UNEF	19,6	9,3	20,4	1,12
201M912	7 12 & 12S	3/4 -20UNEF	22,7	12,8	23,8	1,12
201M914	12 14 & 14S	7/8 -20UNEF	25,9	14,7	27,0	1,12
201M916	19 16 & 16S	1 -20UNEF	29,2	17,8	31,4	1,75
201M918	27 18	1 1/16 -18UNEF	31,5	19,8	33,2	1,75
201M920	37 20	1 3/16 -18UNEF	34,7	23,0	36,4	1,75
201M922	22	1 5/16 -18UNEF	36,6	26,2	39,6	1,75
201M924	24	1 7/16 -18UNEF	41,0	29,1	42,8	1,75
201M928	28	1 3/4 -18UNS	50,0	34,9	52,4	2,18
201M932	32	2 -18UNS	56,4	41,4	58,3	2,18
201M936	36	2 1/4 -16UN	62,7	46,6	65,1	2,18
201M940	40	2 1/2 -16UN	69,1	52,1	71,4	2,18
201M944	44	2 3/4 -16UN	75,4	58,6	77,4	2,18
201M948	48	3 -16UN	81,8	64,9	84,1	2,18
201M961	61	1 1/2 -18UNEF	42,0	30,0	44,4	1,75

DRAWN	K.WINCZURA	DATE	18/02/2015	 3RD ANGLE PROJECTION NOT TO SCALE UNLESS OTHERWISE SPECIFIED ALL DIMENSIONS IN MILLIMETRES GENERAL TOL LINEAR +/-0,25MM ANGULAR +/- 1°
CHECKED		DATE	18/02/2015	
APPROVED	K.SHEPPARD	DATE	25/02/2015	
APPROVED	H.SMITH	DATE	20/08/2015	
REVISIONS				
LTR	DESCRIPTION	DATE	APPROVED	
K	REVISED PER ECO-15-003652	03/06/2015	I.MYONG	
L	REVISED PER ECO-15-012000	20/08/2015	H.SMITH	
TE CAGE CODE: 06090 POLAMCO/TE CAGE CODE: U5792				

TITLE:		LOW PROFILE HEAT SHRINK BOOT BACKSHELL(CODE 54)		
ASSY USED ON:		MIL-DTL-26482 SERIES II, MIL-DTL-83723 SERIES I & III		
TE CONNECTIVITY - POLAMCO LTD RESERVES THE RIGHT TO AMEND THIS DRAWING AND THE INFORMATION SET FORTH HEREON AT ANY TIME. USERS SHOULD INDEPENDENTLY EVALUATE THE SUITABILITY OF THE PRODUCT FOR THEIR APPLICATION.		DRAWING NO:	DRAWING REV:	SHT
		201M9XX	L	2

Polamco  
TE connectivity