

INTERCONNECTS

SERIES 304, 346 • .100" GRID SOLDERLESS PRESS-FIT • SINGLE ROW STRIPS

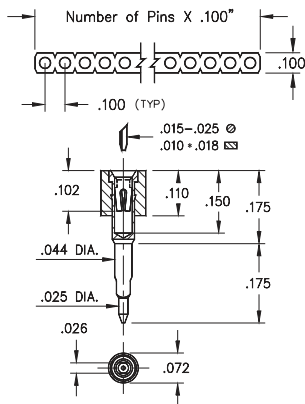


FIG. 1

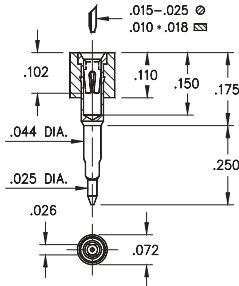


FIG. 2

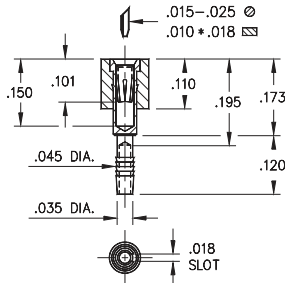


FIG. 3

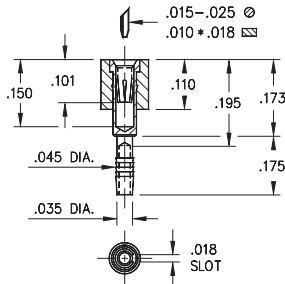


FIG. 4

- Unique compliant tail pins conform to the plated through-hole without stressing the inner layers of a multilayer board
- Recommended plated through-hole for 304 series: .036"-.041" use a 1,1mm drill prior to plating. Using MM #0477 & #0478 pins. See page 162 for details
- For 346 series: .040"±.003" finished plated through-hole. Using MM #4612 & #4613 pins. See page 162 for details. Patent No. 4,799,904
- Hi-Rel, 4-finger BeCu #30 contact is rated at 3 amps. See page 253 for details
- Insulators are high temperature thermoplastic



ORDERING INFORMATION

FIG. 1	Series 304...770	Solderless Press-Fit						
		For .062" Thick Boards						
	304-XX-1__-41-770000							
	Specify number of pins	01-64						
FIG. 2	Series 304...780	Solderless Press-Fit						
		For .125" Thick Boards						
	304-XX-1__-41-780000							
	Specify number of pins	01-64						
Mill-Max recommends plating Code 13 for Series 304...770 and 304...780								
FIG. 3	Series 346...012	Compliant Solderless Press-Fit						
		For .060"-.100" Thick Boards						
	346-XX-1__-41-012000							
	Specify number of pins	01-64						
FIG. 4	Series 346...013	Compliant Solderless Press-Fit						
		For .090"-.130" Thick Boards						
	346-XX-1__-41-013000							
	Specify number of pins	01-64						
<div style="display: flex; justify-content: space-around; align-items: center;"> <div style="border: 1px solid black; padding: 5px; background-color: #90EE90;">RoHS-2 2011/65/EU</div> <div style="border: 1px solid black; border-radius: 50%; padding: 5px;">XX=Plating Code See Below</div> <div style="border: 1px solid black; border-radius: 50%; padding: 5px;">For Electrical, Mechanical & Environmental Data, See page 264</div> </div>								
SPECIFY PLATING CODE XX=								
	11	13	91	93	99	41	43	44
Sleeve (Pin)	10 μ" Au	10 μ" Au	200 μ" Sn/Pb	200 μ" Sn/Pb	200 μ" Sn/Pb	200 μ" Sn	200 μ" Sn	200 μ" Sn
Contact (Clip)	10 μ" Au	30 μ" Au	10 μ" Au	30 μ" Au	100 μ" Sn/Pb	10 μ" Au	30 μ" Au	100 μ" Sn

