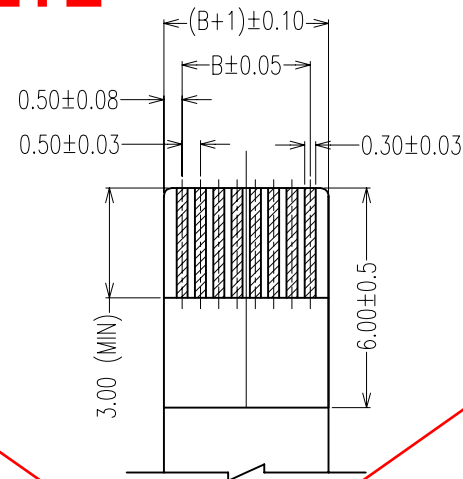
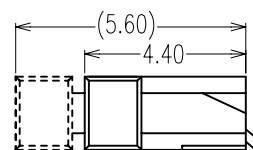
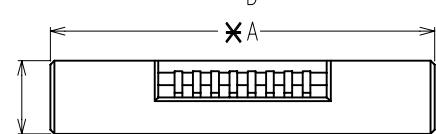
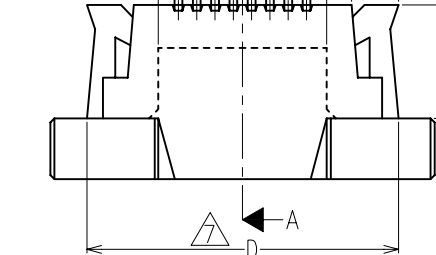
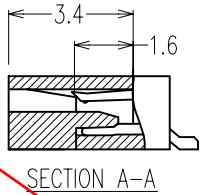
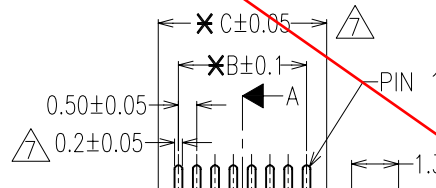
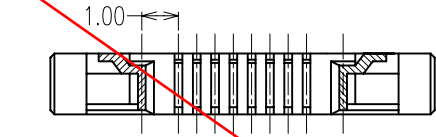


**OBSOLETE**

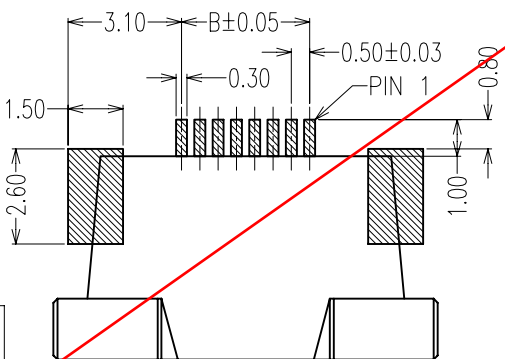


RECOMMENDED APPLICABLE FPC LAYOUT (THICKNESS: 0.30 ± 0.03)



PIN	A	B	C	D
04	8.50	1.50	2.60	7.1
05	9.00	2.00	3.10	7.6
06	9.50	2.50	3.60	8.1
07	10.00	3.00	4.10	8.6
08	10.50	3.50	4.60	9.1
09	11.00	4.00	5.10	9.6
10	11.50	4.50	5.60	10.1
11	12.00	5.00	6.10	10.6
12	12.50	5.50	6.60	11.1
13	13.00	6.00	7.10	11.6
14	13.50	6.50	7.60	12.1
15	14.00	7.00	8.10	12.6
16	14.50	7.50	8.60	13.1
17	15.00	8.00	9.10	13.6
18	15.50	8.50	9.60	14.1
19	16.00	9.00	10.10	14.6
20	16.50	9.50	10.60	15.1
21	17.00	10.00	11.10	15.6
22	17.50	10.50	11.60	16.1
23	18.00	11.00	12.10	16.6
24	18.50	11.50	12.60	17.1
25	19.00	12.00	13.10	17.6
26	19.50	12.50	13.60	18.1
27	20.00	13.00	14.10	18.6
28	20.50	13.50	14.60	19.1
29	21.00	14.00	15.10	19.6
30	21.50	14.50	15.60	20.1

PIN	A	B	C	D
* 31	22.00	15.00	16.10	20.6
32	22.50	15.50	16.60	21.1
33	23.00	16.00	17.10	21.6
34	23.50	16.50	17.60	22.1
* 35	24.00	17.00	18.10	22.6
36	24.50	17.50	18.60	23.1
* 37	25.00	18.00	19.10	23.6
* 38	25.50	18.50	19.60	24.1
* 39	26.00	19.00	20.10	24.6
40	26.50	19.50	20.60	25.1
41	27.00	20.00	21.10	25.6
* 42	27.50	20.50	21.60	26.1
* 43	28.00	21.00	22.10	26.6
* 44	28.50	21.50	22.60	27.1
45	29.00	22.00	23.10	27.6
* 46	29.50	22.50	23.60	28.1
* 47	30.00	23.00	24.10	28.6
* 48	30.50	23.50	24.60	29.1
* 49	31.00	24.00	25.10	29.6
50	31.50	24.50	25.60	30.1
* 51	32.00	25.00	26.10	30.6
* 52	32.50	25.50	26.60	31.1
* 53	33.00	26.00	27.10	31.6
54	33.50	26.50	27.60	32.1
* 55	34.00	27.00	28.10	32.6
* 56	34.50	27.50	28.60	33.1
* 57	35.00	28.00	29.10	33.6
* 58	35.50	28.50	29.60	34.1
* 59	36.00	29.00	30.10	34.6
60	36.50	29.50	30.60	35.1



RECOMMENDED PCB PATTERN DIM.

SPECIFICATIONS:

- MATERIALS:-  
 HOUSING: HIGH TEMPERATURE THERMOPLASTIC UL94V-0  
 COLOUR: BLACK  
 ACTUATOR: HIGH TEMPERATURE THERMOPLASTIC UL94V-0  
 COLOUR: WHITE  
 CONTACT: COPPER ALLOY, T=0.2mm  
 FITTING NAIL: COPPER ALLOY, T=0.2mm  
 FINISH:-  
 CONTACT: TIN  
 FITTING NAIL: TIN

NOTES: ALL DIMENSIONS AND NOTES MARKED \* ARE CRITICAL AND MUST BE CHECKED IN ACCORDANCE WITH QUALITY DOC. Q1-02A

\*PLEASE CONTACT TECHNICAL SALES FOR WAYS WITH \* FOR AVAILABILITY

TOLERANCE:

DIMENSIONS	ANGLES
X.X = ±0.30mm	±0°30'
X.XX = ±0.20mm	

Allan	7	29.09.09	A240
Allan	6	02.09.09	A232
Allan	5	15.09.08	A161
Allan	4	18.12.07	A099

NAME	ISS.	DATE	C/NOTE

APPROVED: *Paul*

CHECKED:

DRAWN: Allan

CUSTOMER REF.:

ASSEMBLY DRG:

ORDER CODE  
**F05E- XX 1146R**  
 NO. OF WAYS

**HARWIN**

THIS DRAWING AND ANY INFORMATION OR DESCRIPTIVE MATTER SET OUT HEREON ARE CONFIDENTIAL AND COPYRIGHT PROPERTY OF THE HARWIN GROUP AND MUST NOT BE DISCLOSED, LOANED, COPIED OR USED FOR MANUFACTURING, TENDERING OR FOR ANY OTHER PURPOSE WITHOUT THEIR WRITTEN PERMISSION.

TOLERANCES  
 X = ±1mm  
 X.X = ±0.25mm  
 X.XX = ±0.10mm  
 X.XXX = ±0.01mm  
 ANGLES = ±5°  
 UNLESS STATED

MATERIAL: SEE ABOVE  
 FINISH: SEE ABOVE  
 S/AREA: mm<sup>2</sup>

TITLE:  
 0.5 ZIP FPC SMT R/A TYPE TOP CONTACT  
 DRAWING NUMBER:  
**F05E- XX 1146R**  
 SHT 1 OF 1

HARWIN USA TEL: 603 893 5376 FAX: 603 893 5396 mis@harwin.com	HARWIN Europe (UK) TEL: 023 9231 4545 FAX: 023 9231 4590 mis@harwin.co.uk	HARWIN Asia TEL: +65 6 779 4909 FAX: +65 6 779 3868 mis@harwin.com.sg
--	--	--