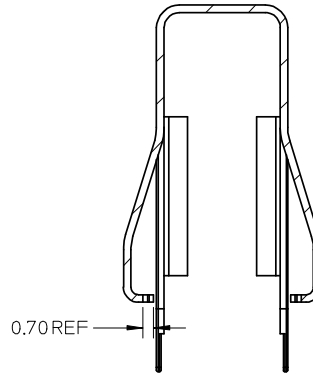
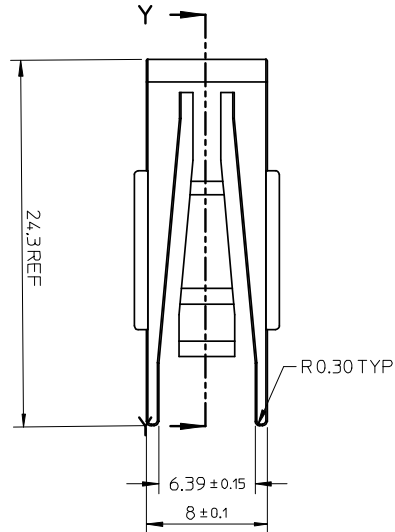
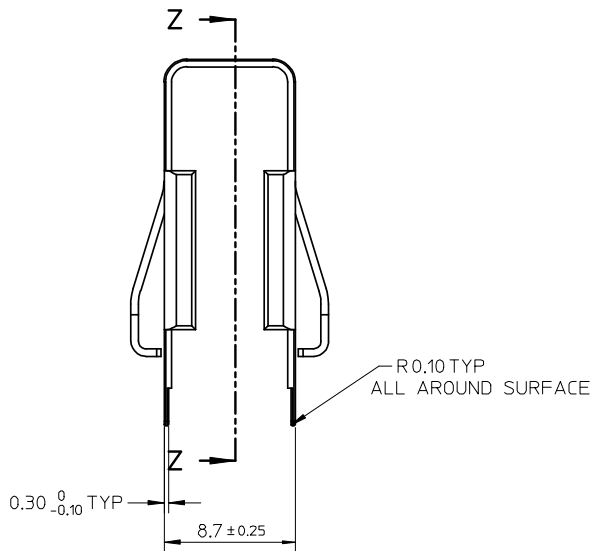
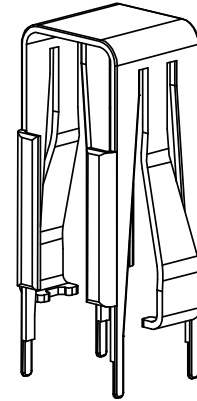


SECTION Z-Z



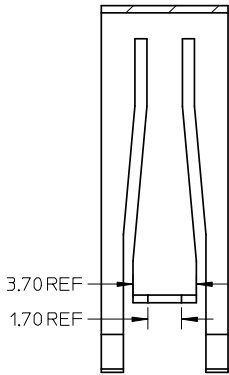
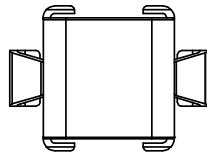
SECTION Y-Y



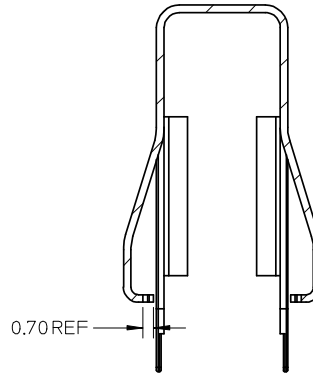
NOTE:

- 1.MATERIAL: 0.5MM STAINLESS STEEL SUS301H.
- 2.FINISH: NON-PLATING.
- 3.COMPLIANT TO RoHS DIRECTIVE 200/95/EC AND ELV 2000/53/EC

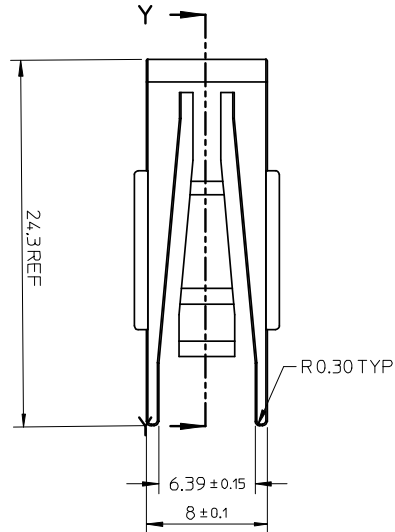
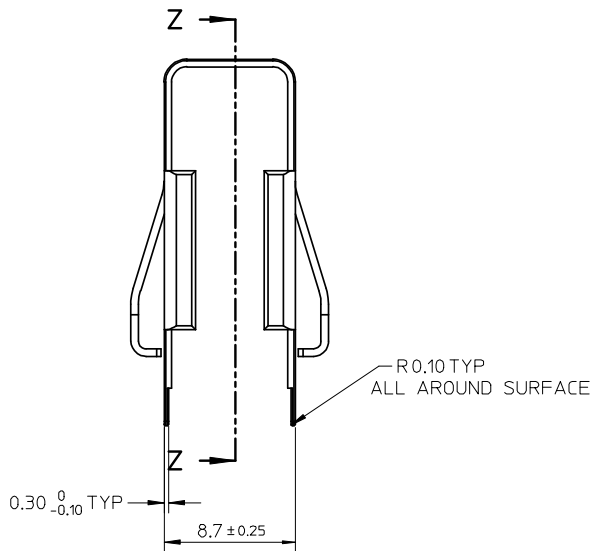
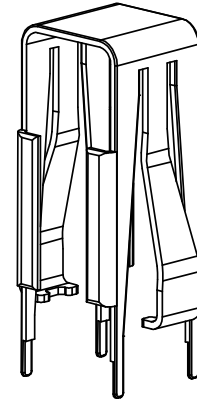
NEW RELEASE EC NO: SHZ008-04Z1 DRWN:MSH CHKD:YLZHU APPR:HWANG	2008/02/22 2008/02/26 2008/03/20	DESCRIPTION REV	QUALITY SYMBOLS	GENERAL TOLERANCES (UNLESS SPECIFIED)	DIMENSION STYLE	SCALE	DESIGN UNITS	THIRD ANGLE PROJECTION	
			$\nabla=0$ $\square=0$	mm INCH 4 PLACES ± --- ± --- 3 PLACES ± --- ± --- 2 PLACES ± 0.25 ± --- 1 PLACE ± 0.25 ± --- ANGULAR ± 3 °	MM ONLY	8:1	METRIC		
				DRAFT WHERE APPLICABLE MUST REMAIN WITHIN DIMENSIONS	DRAWN BY: IHE DATE: 2006/08/28 CHECKED BY: YLZHU DATE: 2007/10/31 APPROVED BY: HWANG DATE: 2007/10/31	TITLE	EXTRACTOR FOR 8X8 CAMERA SOCKET		
					MATERIAL NO. 472490007 SIZE A3	MOLEX INCORPORATED DOCUMENT NO. SD-47249-007 SHEET NO. 1 OF 1	THIS DRAWING CONTAINS INFORMATION THAT IS PROPRIETARY TO MOLEX INCORPORATED AND SHOULD NOT BE USED WITHOUT WRITTEN PERMISSION		



SECTION Z-Z



SECTION Y-Y



NOTE:

- 1.MATERIAL: 0.5MM STAINLESS STEEL SUS301H.
- 2.FINISH: NON-PLATING.
- 3.COMPLIANT TO RoHS DIRECTIVE 200/95/EC AND ELV 2000/53/EC

NEW RELEASE EC NO: SHZ008-04Z1 DRW:MSH CHKD:YLZHU APPR:HWANG	2008/02/22 2008/02/26 2008/03/20	DESCRIPTION REV	QUALITY SYMBOLS	GENERAL TOLERANCES (UNLESS SPECIFIED)	DIMENSION STYLE	SCALE	DESIGN UNITS	THIRD ANGLE PROJECTION	
	$\nabla=0$ $\square=0$		mm INCH 4 PLACES ± --- ± --- 3 PLACES ± --- ± --- 2 PLACES ± 0.25 ± --- 1 PLACE ± 0.25 ± --- ANGULAR ± 3 °	MM ONLY	8:1	METRIC			
			DRAWN BY: IHE DATE: 2006/08/28 CHECKED BY: YLZHU DATE: 2007/10/31 APPROVED BY: HWANG DATE: 2007/10/31	TITLE			EXTRACTOR FOR 8X8 CAMERA SOCKET		
			MATERIAL NO. 472490007 SIZE A3	MOLEX INCORPORATED DOCUMENT NO. SD-47249-007 SHEET NO. 1 OF 1			THIS DRAWING CONTAINS INFORMATION THAT IS PROPRIETARY TO MOLEX INCORPORATED AND SHOULD NOT BE USED WITHOUT WRITTEN PERMISSION		