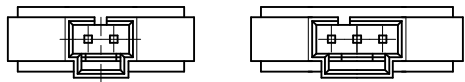


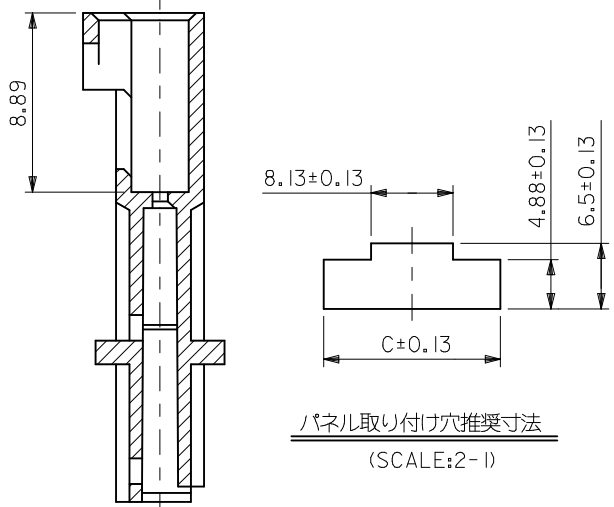
OPTION B

注記

1. 適合オスターミナル：50087-****, 50088-****
2. 適合メスコネクター：51030-***3*, 52109-****
3. 推奨パネル厚：t=0.81~2.36
- △ 2極の場合は、5.4±0.5
- 5.ハウジングの色（ENG. No. の下1桁に対応する。）：
白 色；51029-**00

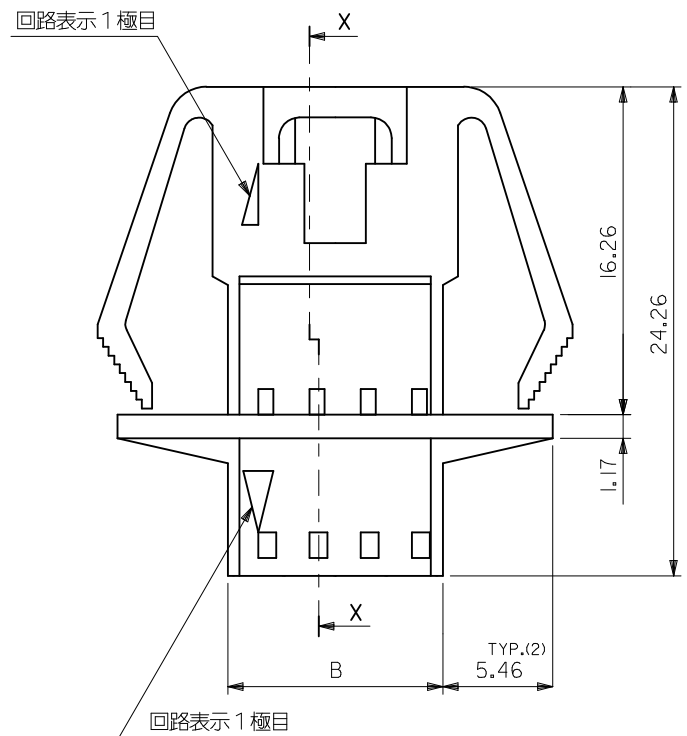


2極, 3極の場合
(SCALE:2-1)



パネル取り付け穴推奨寸法
(SCALE:2-1)

断面 X-X



68.96	61.47	58.42	51029-2400	24
66.42	58.93	55.88	↑ -2300	23
63.88	56.39	53.34	-2200	22
61.34	53.85	50.80	-2100	21
58.80	51.31	48.26	-2000	20
56.26	48.77	45.72	-1900	19
53.72	46.23	43.18	-1800	18
51.18	43.69	40.64	-1700	17
48.64	41.15	38.10	-1600	16
46.10	38.61	35.56	-1500	15
43.56	36.07	33.02	-1400	14
41.02	33.53	30.48	-1300	13
38.48	30.99	27.94	-1200	12
35.94	28.45	25.40	-1100	11
33.40	25.91	22.86	-1000	10
30.86	23.37	20.32	-0900	9
28.32	20.83	17.78	-0800	8
25.78	18.29	15.24	-0700	7
23.24	15.75	12.70	-0600	6
20.70	13.21	10.16	-0500	5
18.16	10.67	7.62	-0400	4
15.62	8.13	5.08	↓ -0300	3
13.08	5.59	2.54	51029-0200	2
C	B	A	MATERIAL NO.	極数

材料
MATERIAL
ガラス入り ポリエステル
UL 94V-0

REVISED EC NO: J2009-1245 DRWN:NAKAMURA 2008/12/15 CHKD:T. HARUYAMA 2008/12/15 APPR:NUKITA 2009/01/13	GENERAL TOLERANCES (UNLESS SPECIFIED)		DIMENSION STYLE MM ONLY		SCALE 4:1	DESIGN UNITS METRIC	THIRD ANGLE PROJECTION	
	10 UNDER	±0.2	DRAWN BY M. SASAOKA	DATE '88/11/14	TITLE J-SL 2.54 SINGLE ROW HSG CONN (OPTION B)			
	10 OVER 30 UNDER	±0.25	CHECKED BY H. HIRATA	DATE	MOLEX INCORPORATED			
	30 OVER	±0.3	APPROVED BY A. ASO	DATE	DOCUMENT NO. SD-51029-001		SHEET NO. 1 OF 1	
REV	DESCRIPTION	ANGULAR ±3 °	MATERIAL NO. SEE TABLE		THIS DRAWING CONTAINS INFORMATION THAT IS PROPRIETARY TO MOLEX INCORPORATED AND SHOULD NOT BE USED WITHOUT WRITTEN PERMISSION			
		DRAFT WHERE APPLICABLE MUST REMAIN WITHIN DIMENSIONS		SIZE A3				