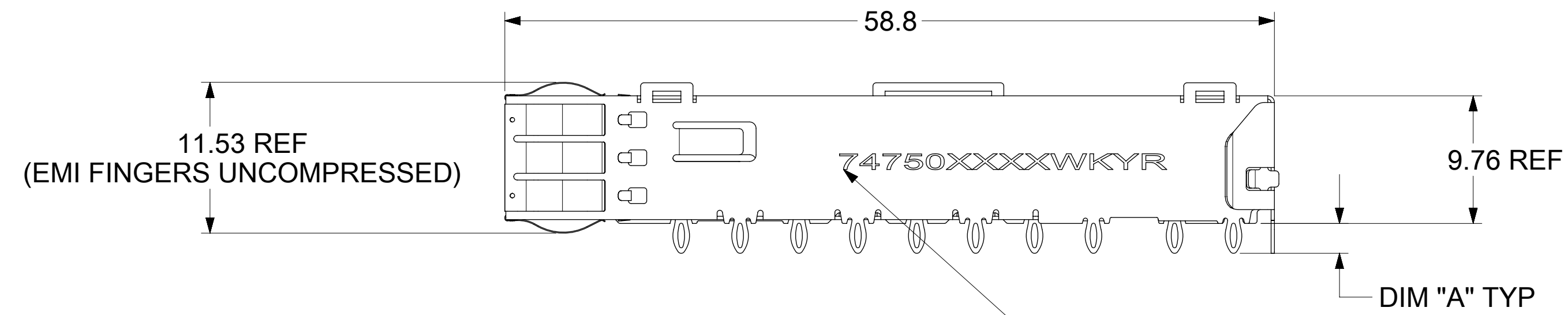
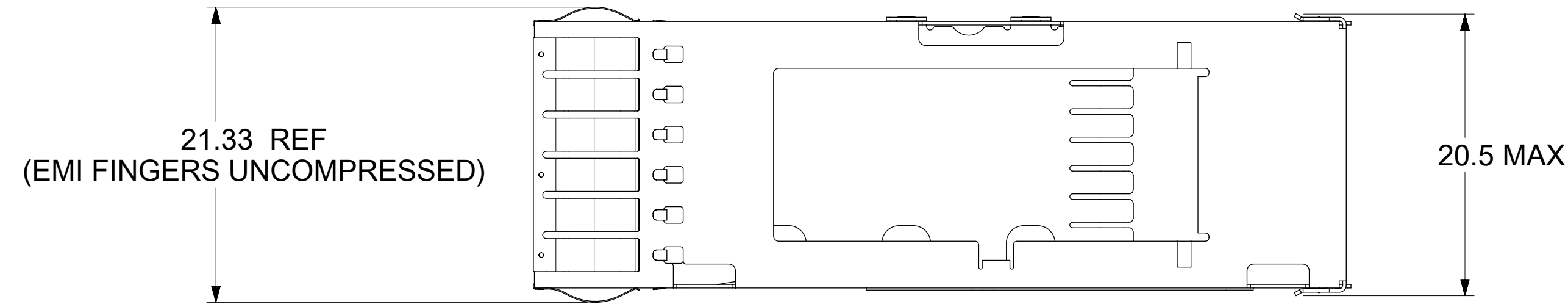


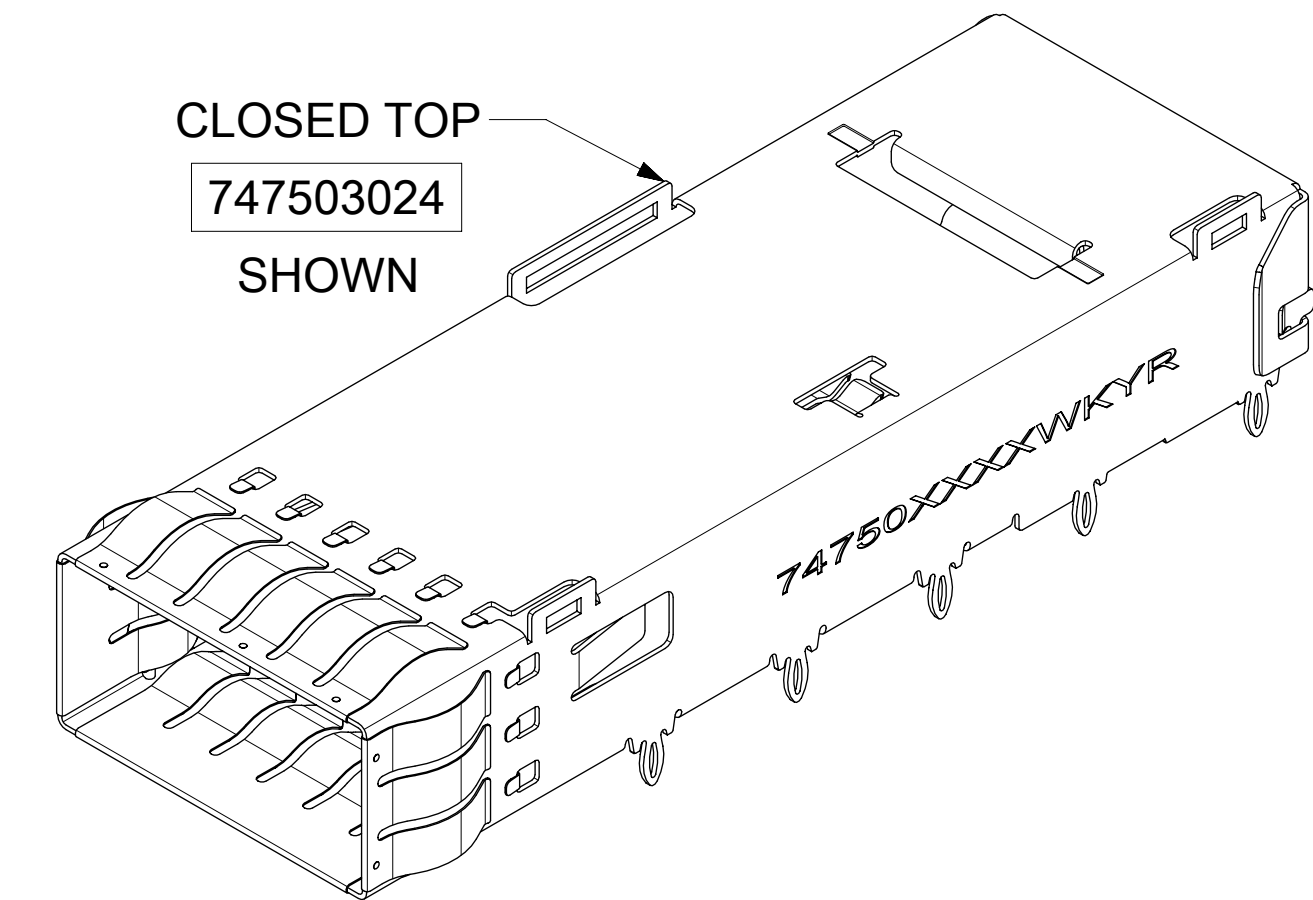
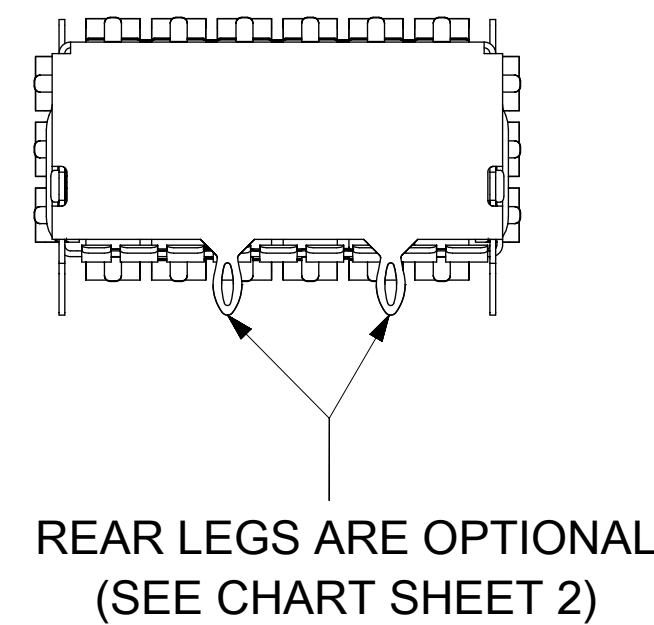
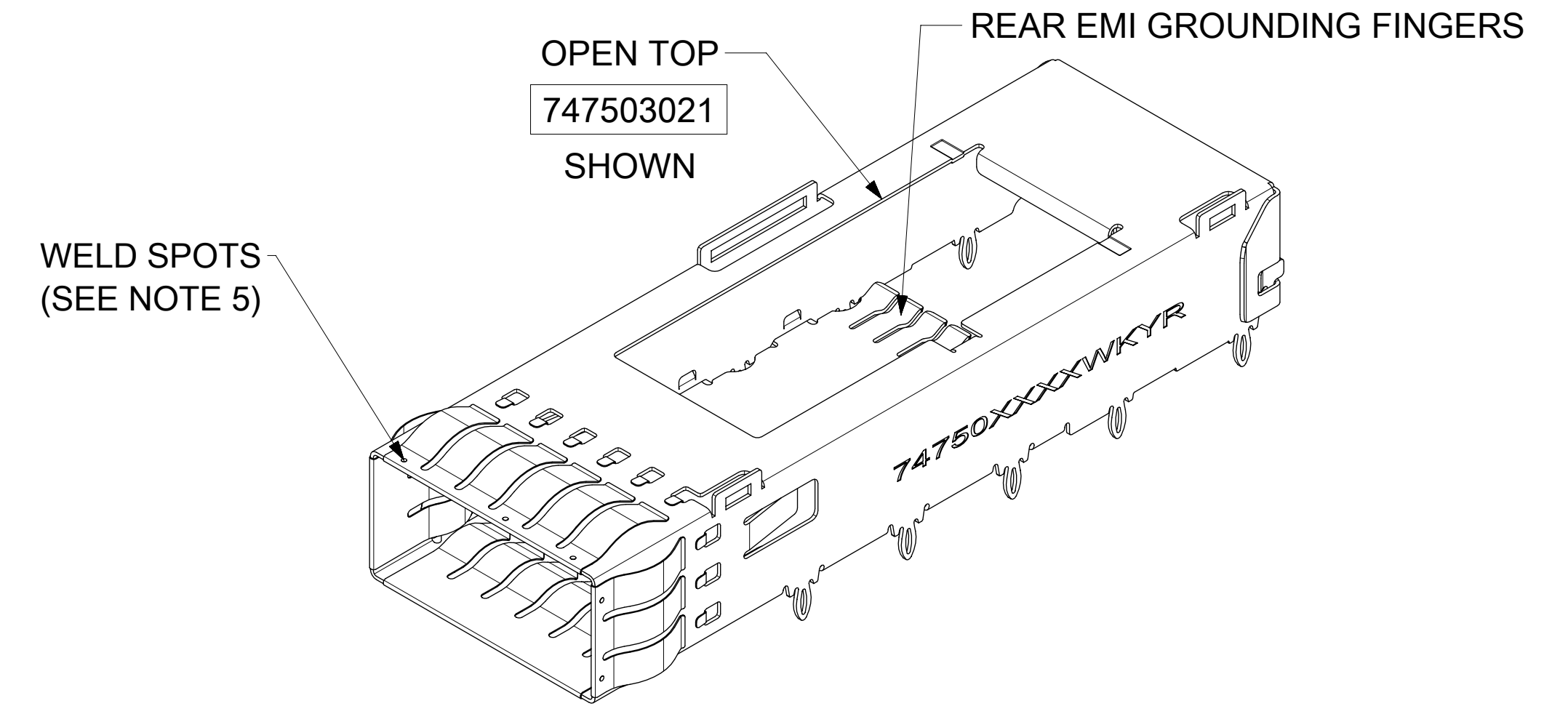
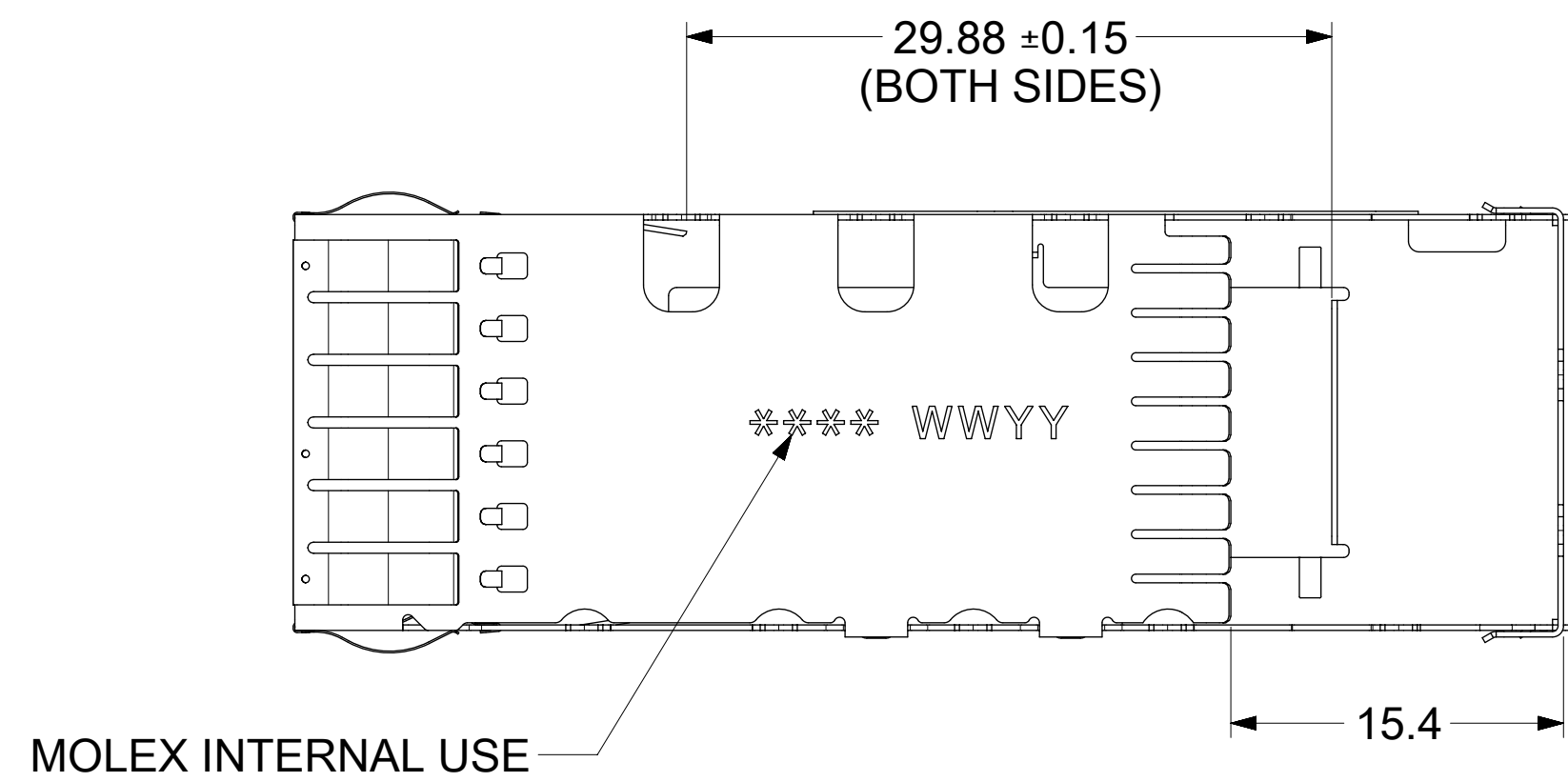
BASE CAGE DETAILS

(APPLIES TO ALL CAGES IN THIS DRAWING)



PART NO. AND WEEK/YEAR DATE CODE TO BE PRINTED ON SIDE OF COMPLETED CAGE ASSEMBLY AS SHOWN.

WEEK/YEAR DATE CODE TABLE	
WK	01 THRU 52 EXAMPLE: 01 = FIRST WEEK OF YEAR 52 = LAST WEEK OF YEAR
YR	22, 23, 24 (ETC. EXAMPLE: YEAR 2022 = 22)



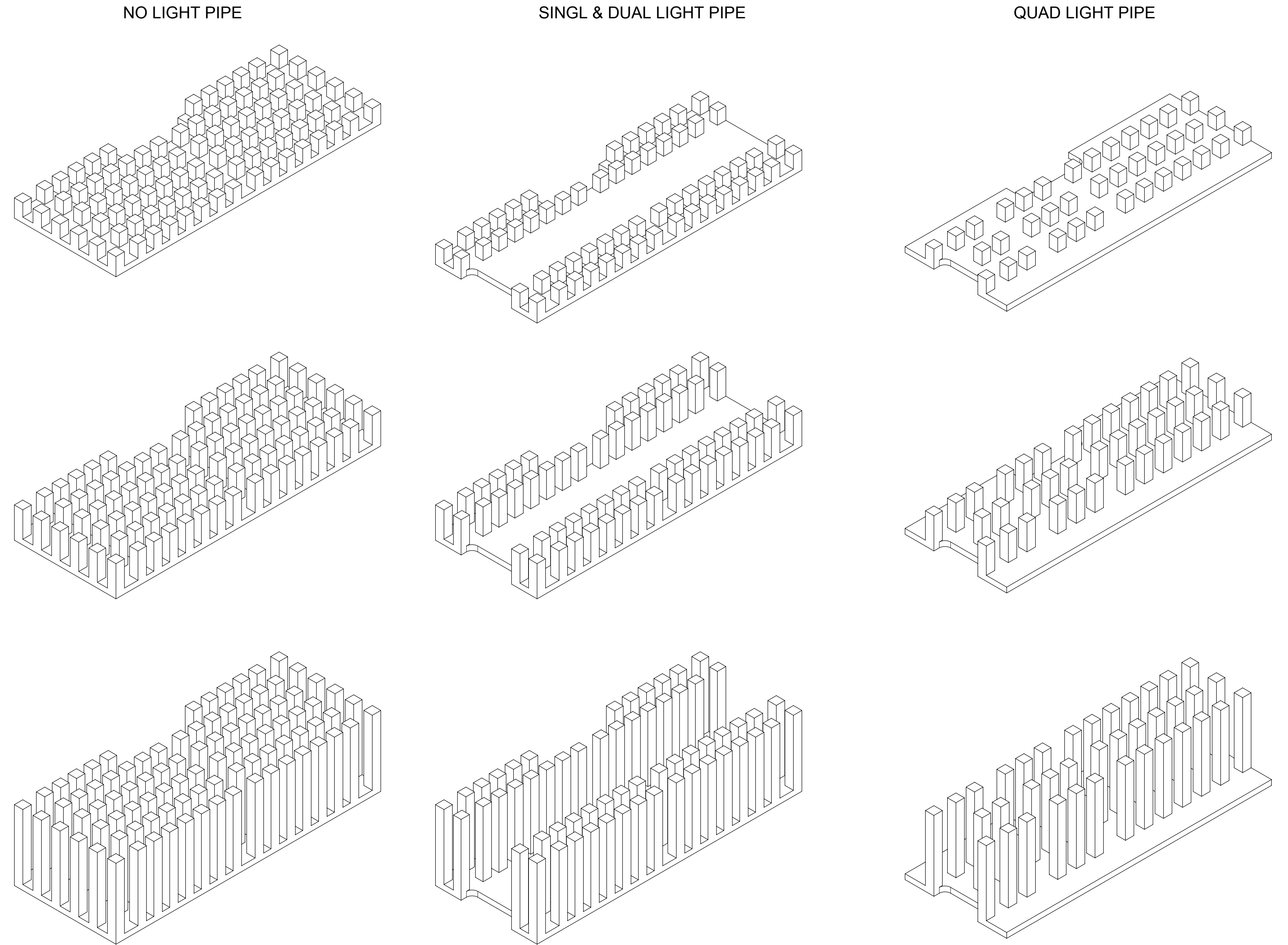
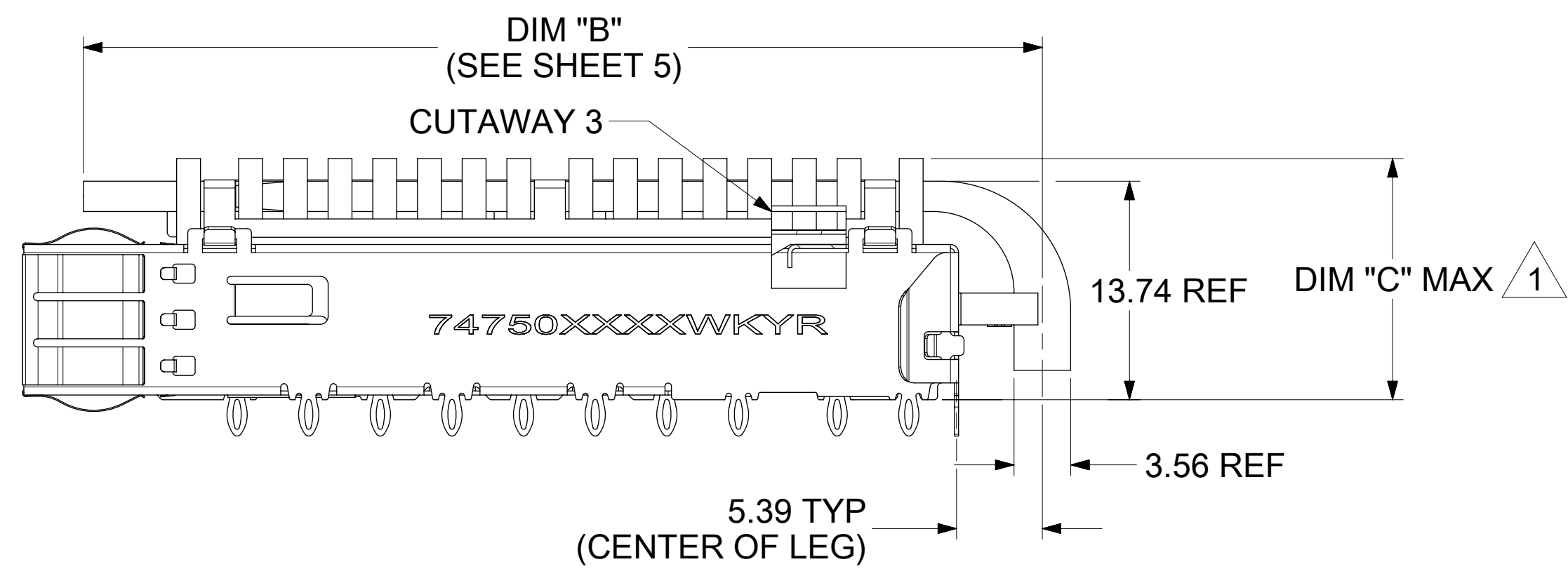
NOTES:

1. QSFP+ ASSEMBLIES ALSO AVAILABLE WITH 1X2 (74767 SERIES), 1X3 (74768 SERIES), 1X4 (74769 SERIES) AND 1X6 (74771 SERIES) CONFIGURATIONS.
2. MATERIAL:
 LIGHT PIPE/HEATSINK CLIP: STAINLESS STEEL
 LIGHT PIPES: POLYCARBONATE (UL 94-V-0 RATED)
 HEAT SINKS: BLACK ANNOXIDIZED ALUMINUM
 CAGE: STAINLESS STEEL
 SPRING FINGERS: STAINLESS STEEL
3. NO RoHS EXEMPTIONS
4. CUSTOM HEATSINKS AVAILABLE UPON REQUEST.
5. WELD SPOTS MAY SHOW SLIGHT MATERIAL DISCOLORATION.

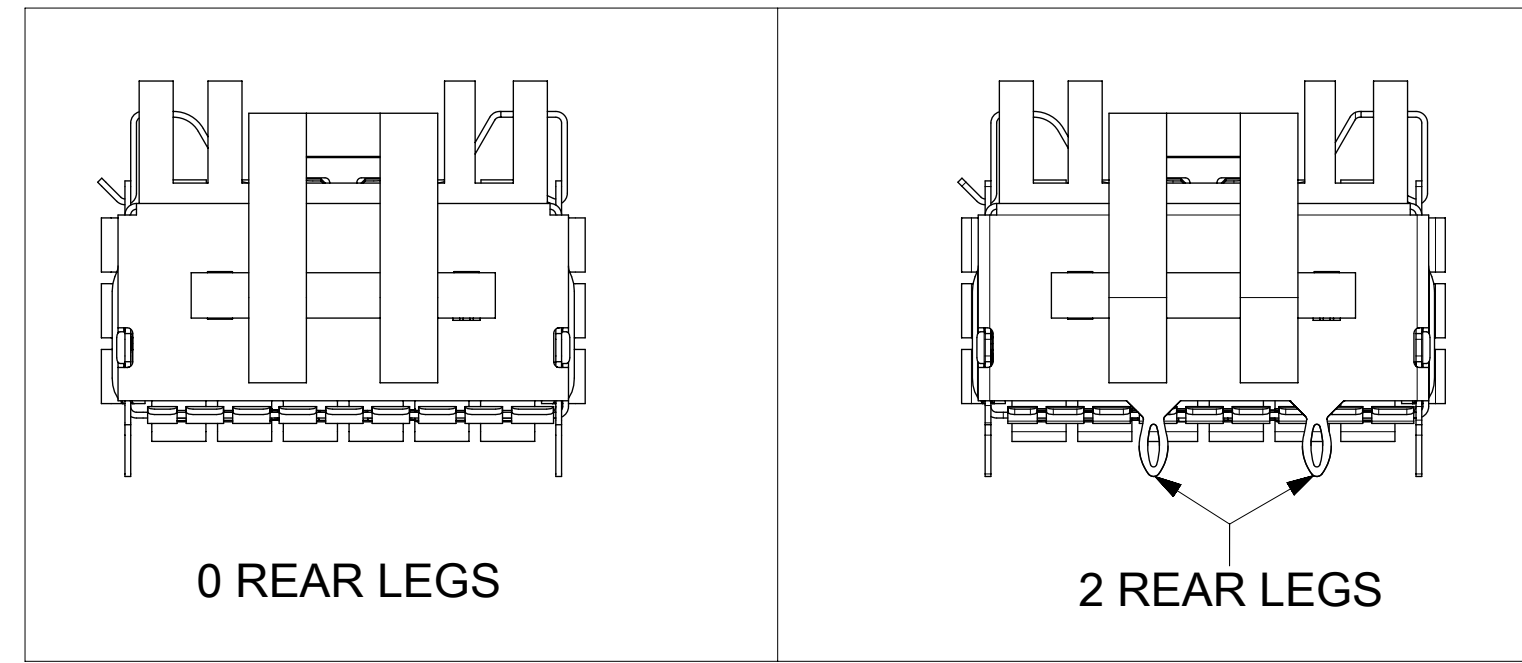
FUNCTIONAL SYMBOLS $\nabla_A = 0$ $\nabla_C = 0$ $\nabla_D = 0$	THIS DRAWING CONTAINS INFORMATION THAT IS PROPRIETARY TO MOLEX ELECTRONIC TECHNOLOGIES, LLC AND SHOULD NOT BE USED WITHOUT WRITTEN PERMISSION	SCALE		CURRENT REV DESC: SEE REV TABLE.					
	DIMENSION UNITS	mm	4:1						
	GENERAL TOLERANCES (UNLESS SPECIFIED)								
	ANGULAR TOL $\pm 1.0^\circ$								
DIVISIONAL SYMBOLS	4 PLACES	\pm	EC NO: 723392	2022/09/27	PRODUCT CUSTOMER DRAWING DOCUMENT NUMBER: 747503021 DOC TYPE: PSD DOC PART: ASY REVISION: B				
	3 PLACES	\pm	DRWN: VISHNM2	2022/10/03					
	2 PLACES	± 0.13	CHK'D: DKUMARG	2022/10/12					
	1 PLACE	± 0.25	APPR: SCHIEN						
	0 PLACES	\pm	INITIAL REVISION:						
	DRWN: CHETHH2		2022/02/17						
	APPR: JCHIANG		2022/03/28						
DRAFT WHERE APPLICABLE MUST REMAIN WITHIN DIMENSIONS		THIRD ANGLE PROJECTION	DRAWING	SERIES	MATERIAL NUMBER	CUSTOMER	SHEET NUMBER		
			D-SIZE	74750	SEE P/N TABLE	GENERAL MARKET	1 OF 11		

DOCUMENT STATUS	P1	RELEASE DATE	2022/10/12	10:55:32
-----------------	----	--------------	------------	----------

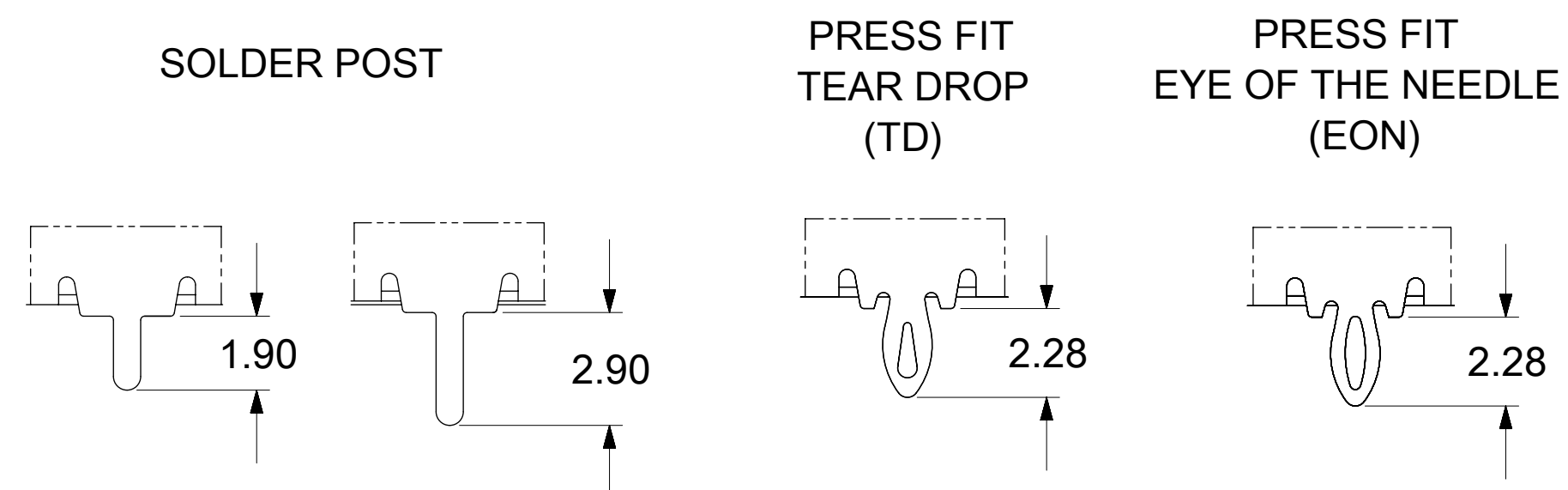
CAGE ASSEMBLY OPTIONS



REAR LEG OPTIONS



LEG OPTIONS



HEAT SINK HEIGHT OPTIONS

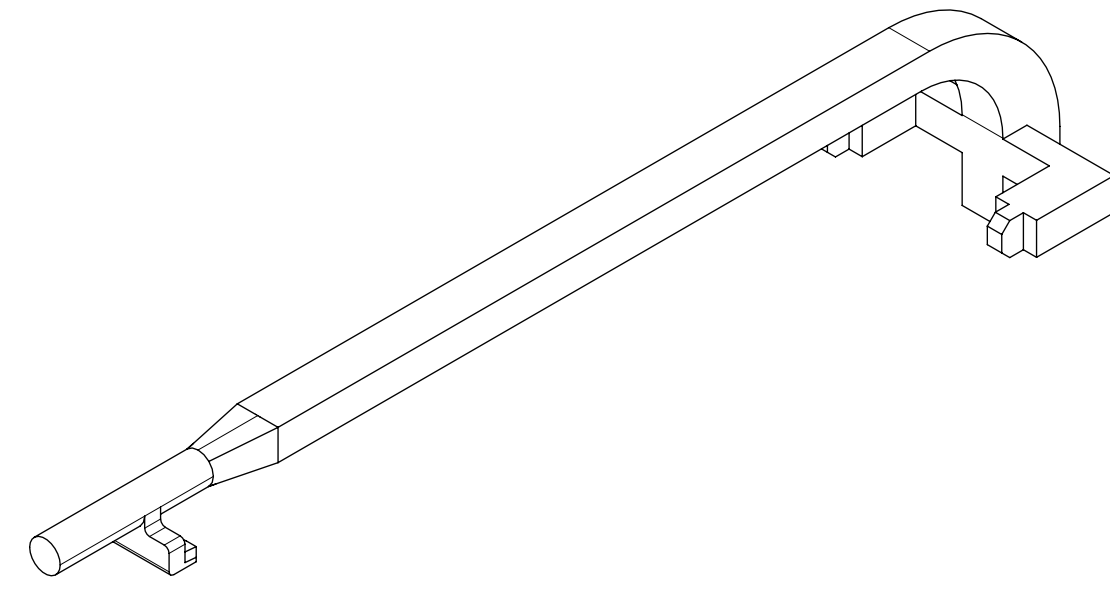
OVERALL HEAT SINK HEIGHT	DIM C
PCI	13.7
SAN	16.0
NET	23.0

FUNCTIONAL SYMBOLS FA = 0 FE = 0 FP = 0 DIVISIONAL SYMBOLS	THIS DRAWING CONTAINS INFORMATION THAT IS PROPRIETARY TO MOLEX ELECTRONIC TECHNOLOGIES, LLC AND SHOULD NOT BE USED WITHOUT WRITTEN PERMISSION DIMENSION UNITS: mm SCALE: 3:1		CURRENT REV DESC: SEE REV TABLE.			
	GENERAL TOLERANCES (UNLESS SPECIFIED) ANGULAR TOL ± 1.0°		EC NO: 723392 DRWN: VISHNM2 2022/09/27 CHK'D: DKUMARG 2022/10/03 APPR: SCHIEN 2022/10/12			
	4 PLACES ± 3 PLACES ± 2 PLACES ± 0.13 1 PLACE ± 0.25 0 PLACES ±		INITIAL REVISION: DRWN: CHETHH2 2022/02/17 APPR: JCHIANG 2022/03/28		PRODUCT CUSTOMER DRAWING	
	DRAFT WHERE APPLICABLE MUST REMAIN WITHIN DIMENSIONS		THIRD ANGLE PROJECTION		DRAWING: D-SIZE SERIES: 74750	
DOCUMENT STATUS: P1 RELEASE DATE: 2022/10/12 10:55:32		MATERIAL NUMBER: SEE P/N TABLE CUSTOMER: GENERAL MARKET		DOCUMENT NUMBER: 747503021 DOC TYPE: PSD DOC PART: ASY REVISION: B		
SHEET NUMBER: 2 OF 11						

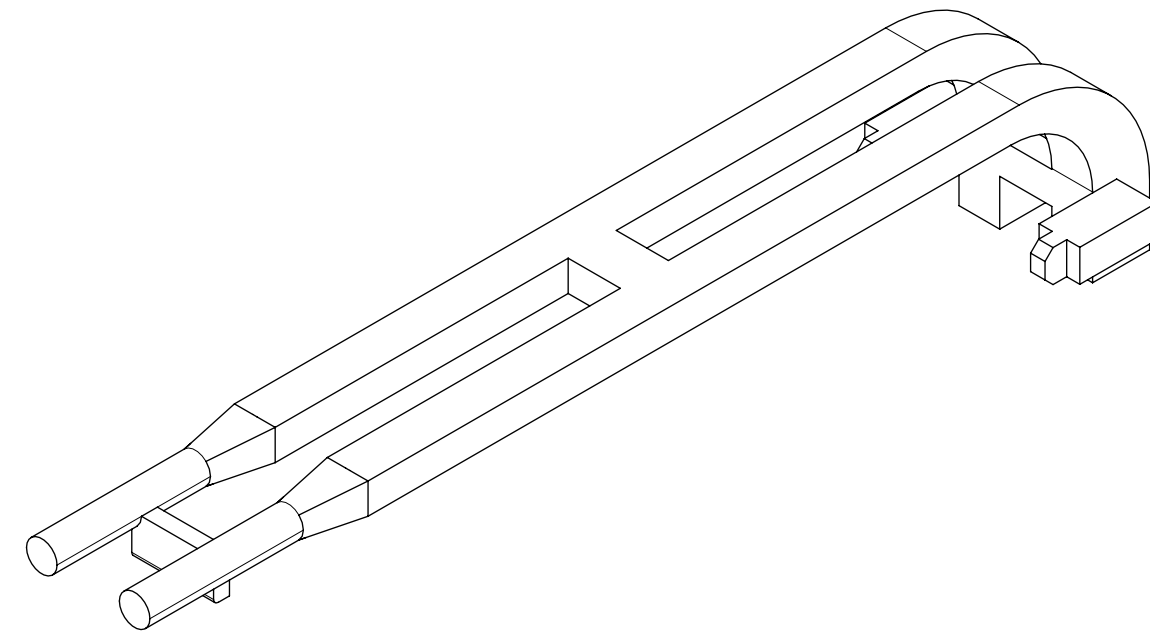
1 HEIGHT OF HEATSINK WITH MODULE INSERTED. DIMENSION MAY BE LESS DUE TO MODULE AND HEATSINK VARIATIONS.

CAGE ASSEMBLY OPTIONS (CONT.)

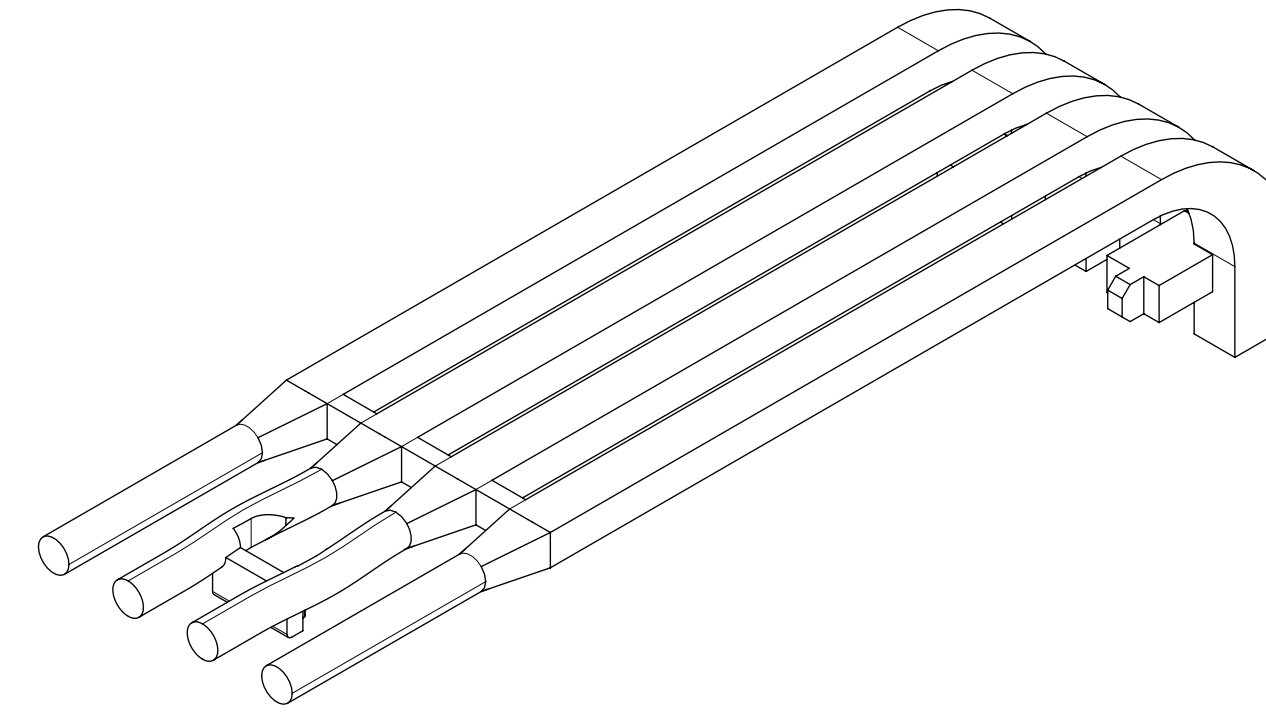
SINGLE LIGHT PIPE



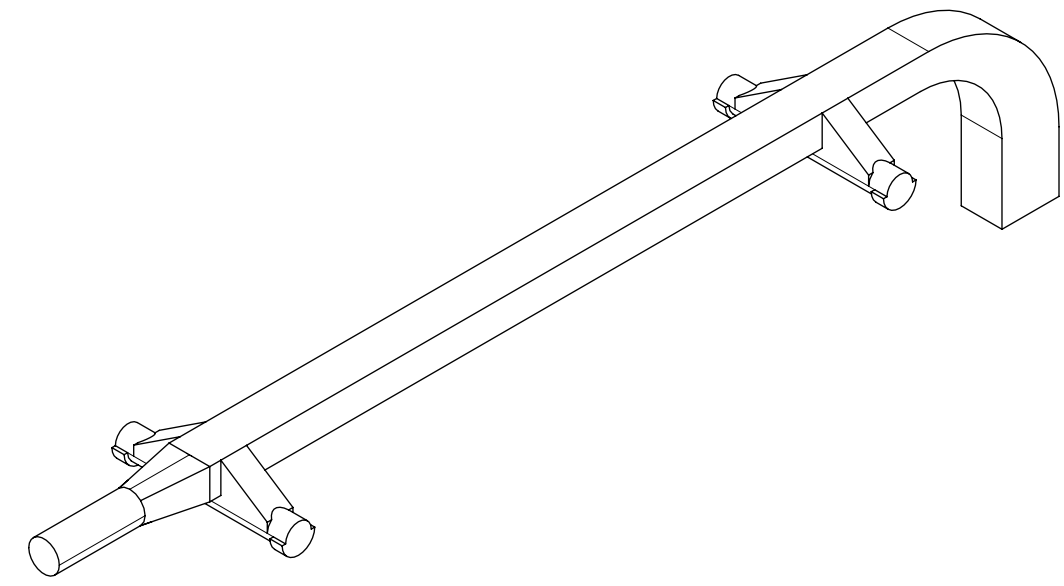
DUAL LIGHT PIPE



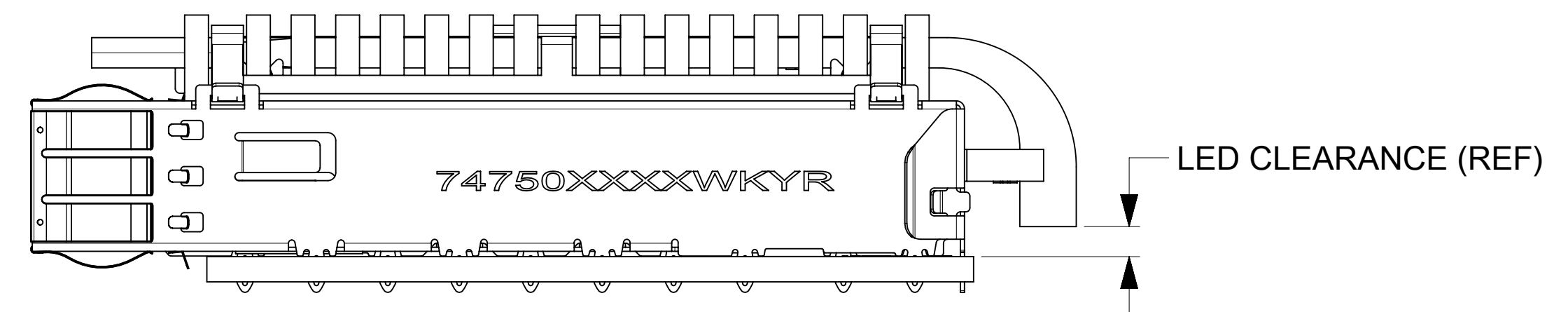
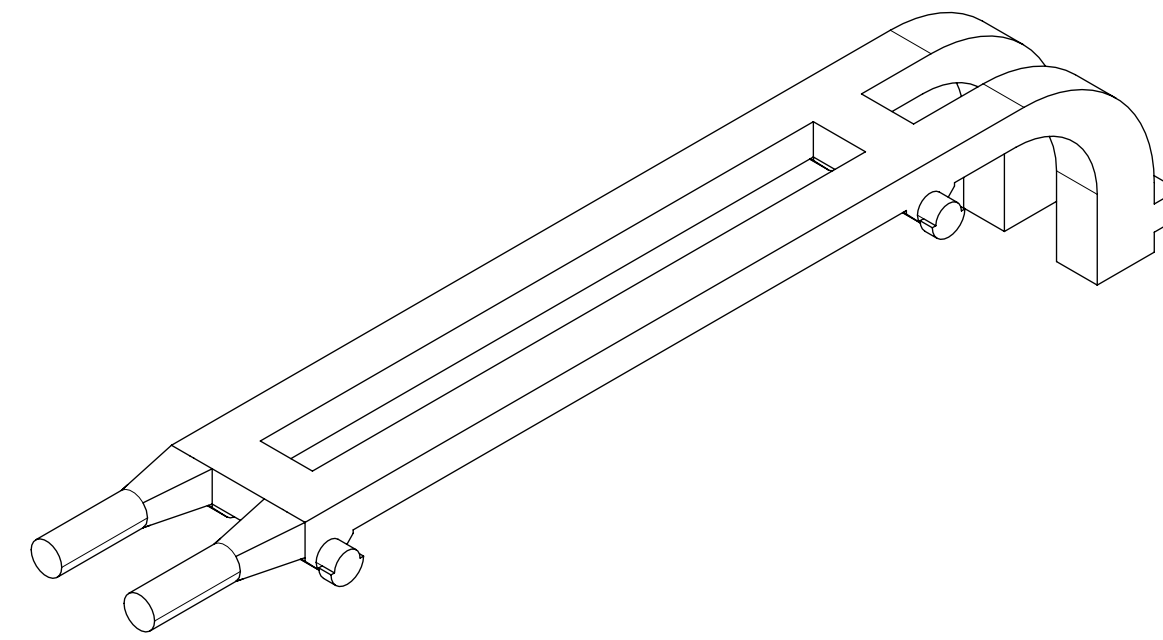
QUAD LIGHT PIPE



SINGLE LIGHT PIPE



DUAL LIGHT PIPE



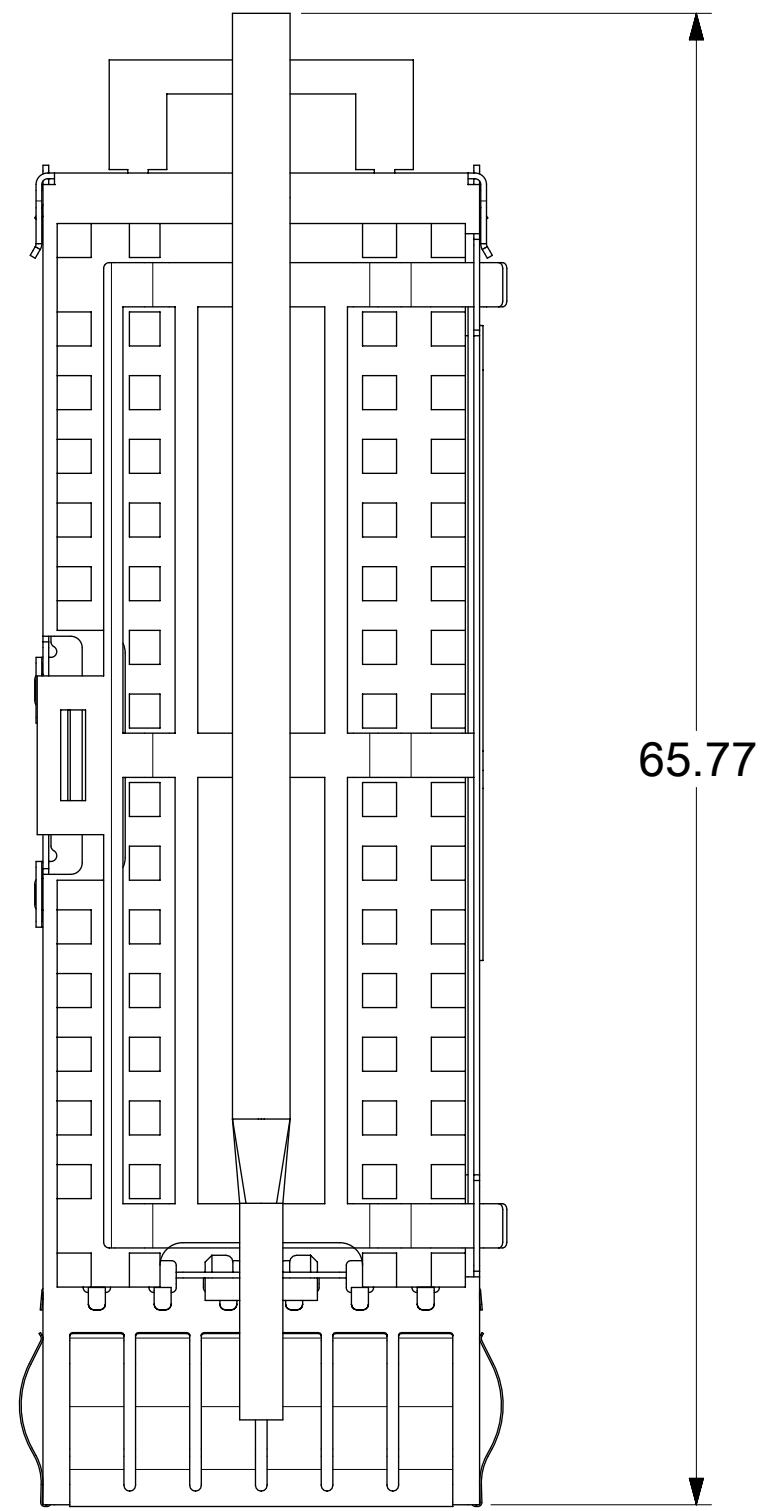
LIGHT PIPE	LED CLEARANCE (REF)
SINGLE	1.86
SINGLE	1.86
DUAL	1.86
DUAL	1.86
QUAD	1.86

FUNCTIONAL SYMBOLS $\nabla_A = 0$ $\nabla_C = 0$ $\nabla_D = 0$	THIS DRAWING CONTAINS INFORMATION THAT IS PROPRIETARY TO MOLEX ELECTRONIC TECHNOLOGIES, LLC AND SHOULD NOT BE USED WITHOUT WRITTEN PERMISSION		CURRENT REV DESC: SEE REV TABLE.				
	DIMENSION UNITS: mm SCALE: 3:1	GENERAL TOLERANCES (UNLESS SPECIFIED) ANGULAR TOL $\pm 1.0^\circ$					
	DIVISIONAL SYMBOLS 4 PLACES \pm 3 PLACES \pm 2 PLACES ± 0.13 1 PLACE ± 0.25 0 PLACES \pm	EC NO: 723392 DRWN: VISHNM2 2022/09/27 CHK'D: DKUMARG 2022/10/03 APPR: SCHIEN 2022/10/12		PRODUCT CUSTOMER DRAWING			
	DRAFT WHERE APPLICABLE MUST REMAIN WITHIN DIMENSIONS	THIRD ANGLE PROJECTION	DRAWING: D-SIZE	SERIES: 74750	MATERIAL NUMBER: 747503021	CUSTOMER: GENERAL MARKET	SHEET NUMBER: 3 OF 11

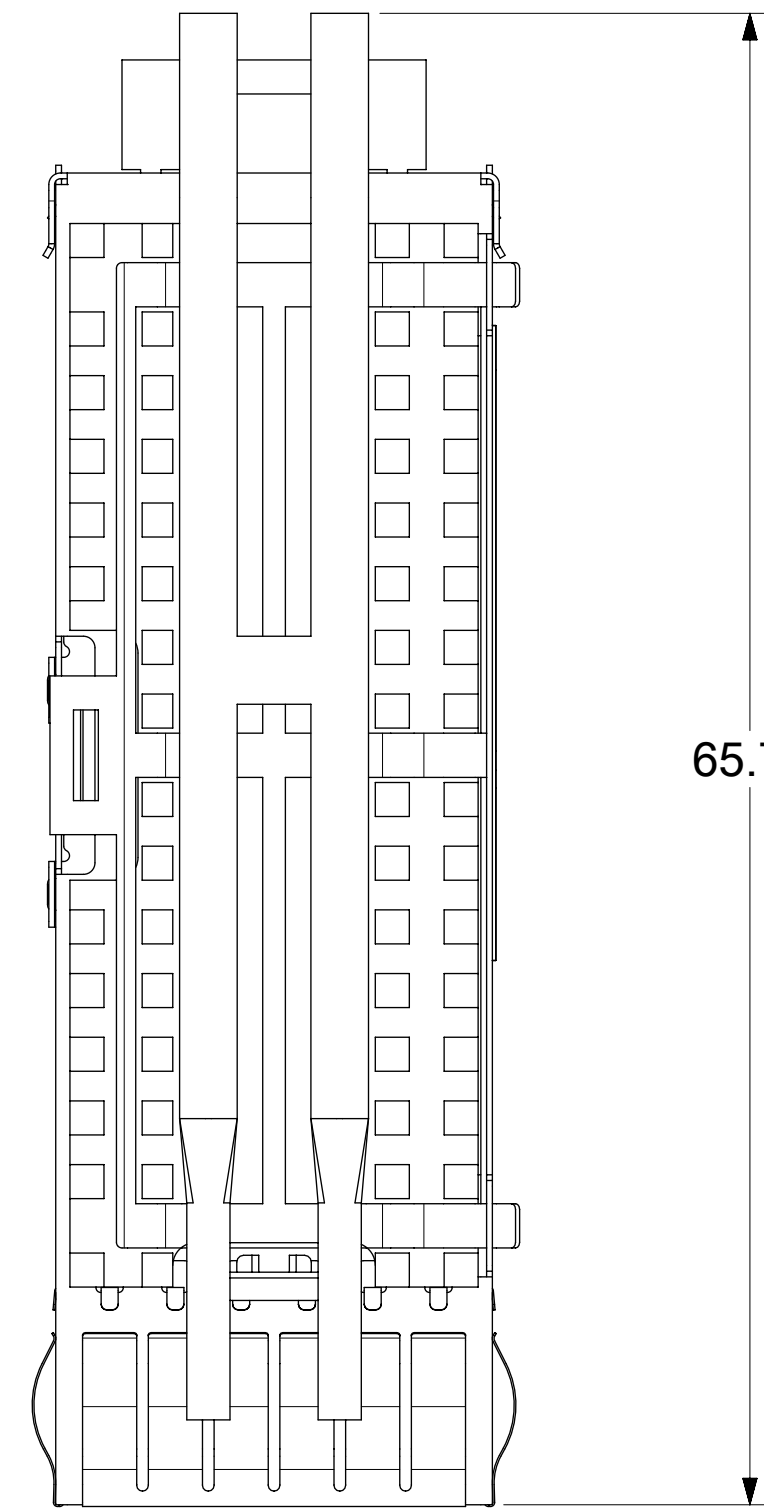
NOTE:
1) FOR HEATSINK OPTIONS SEE SHEET 2.

DOCUMENT STATUS	P1	RELEASE DATE	2022/10/12	10:55:32
-----------------	----	--------------	------------	----------

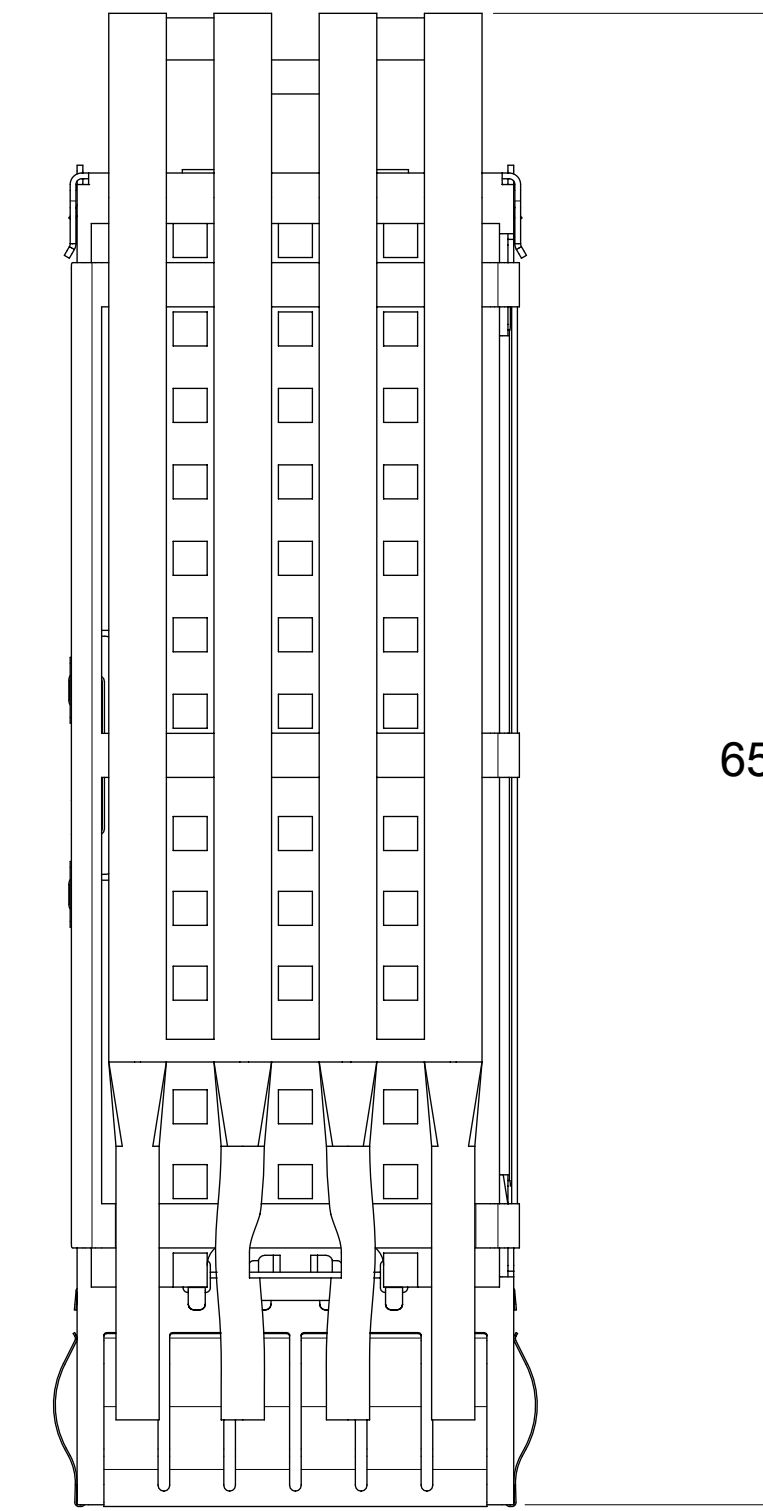
CAGE ASSEMBLY OPTIONS (CONT.)



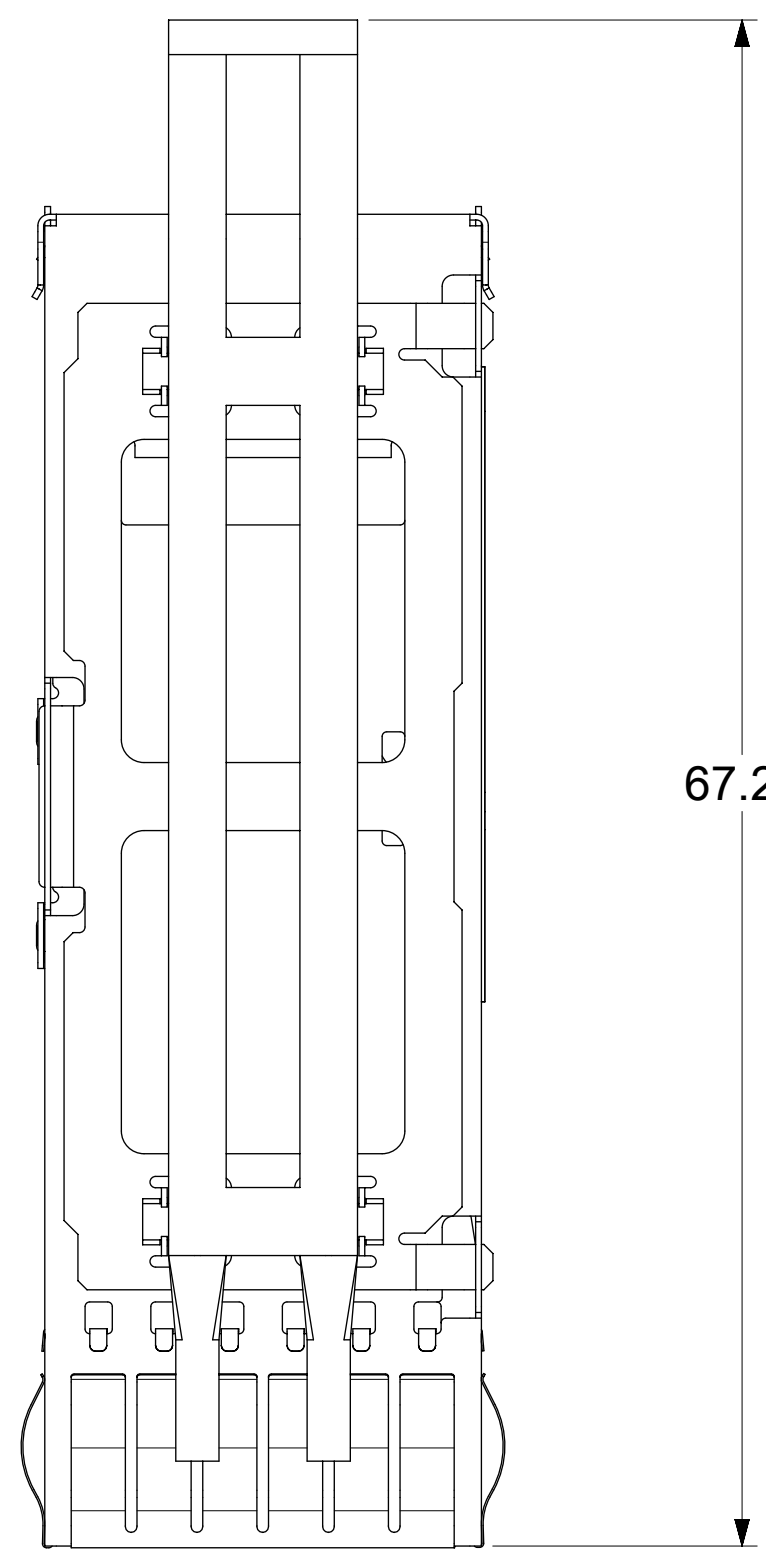
65.77



65.77



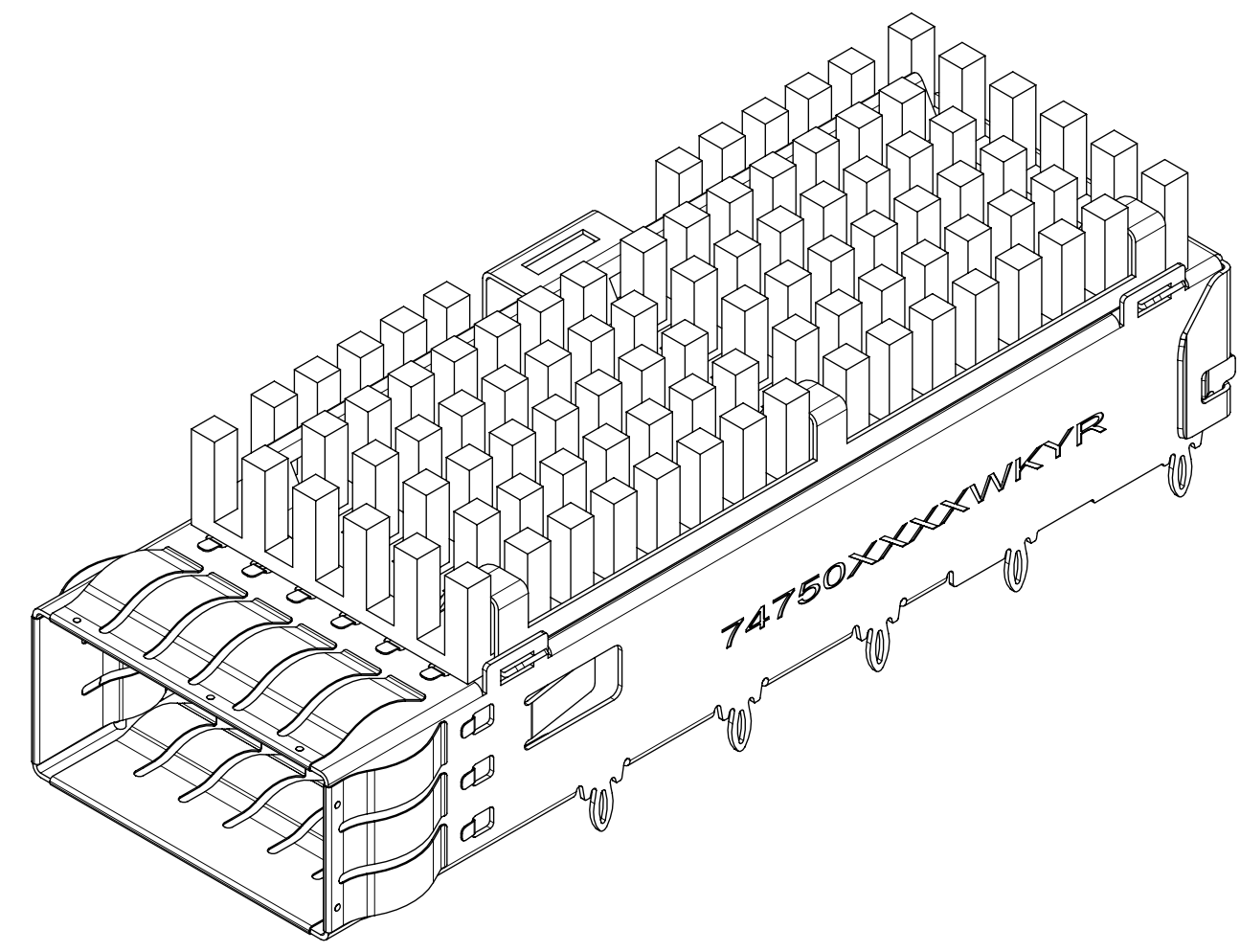
65.77



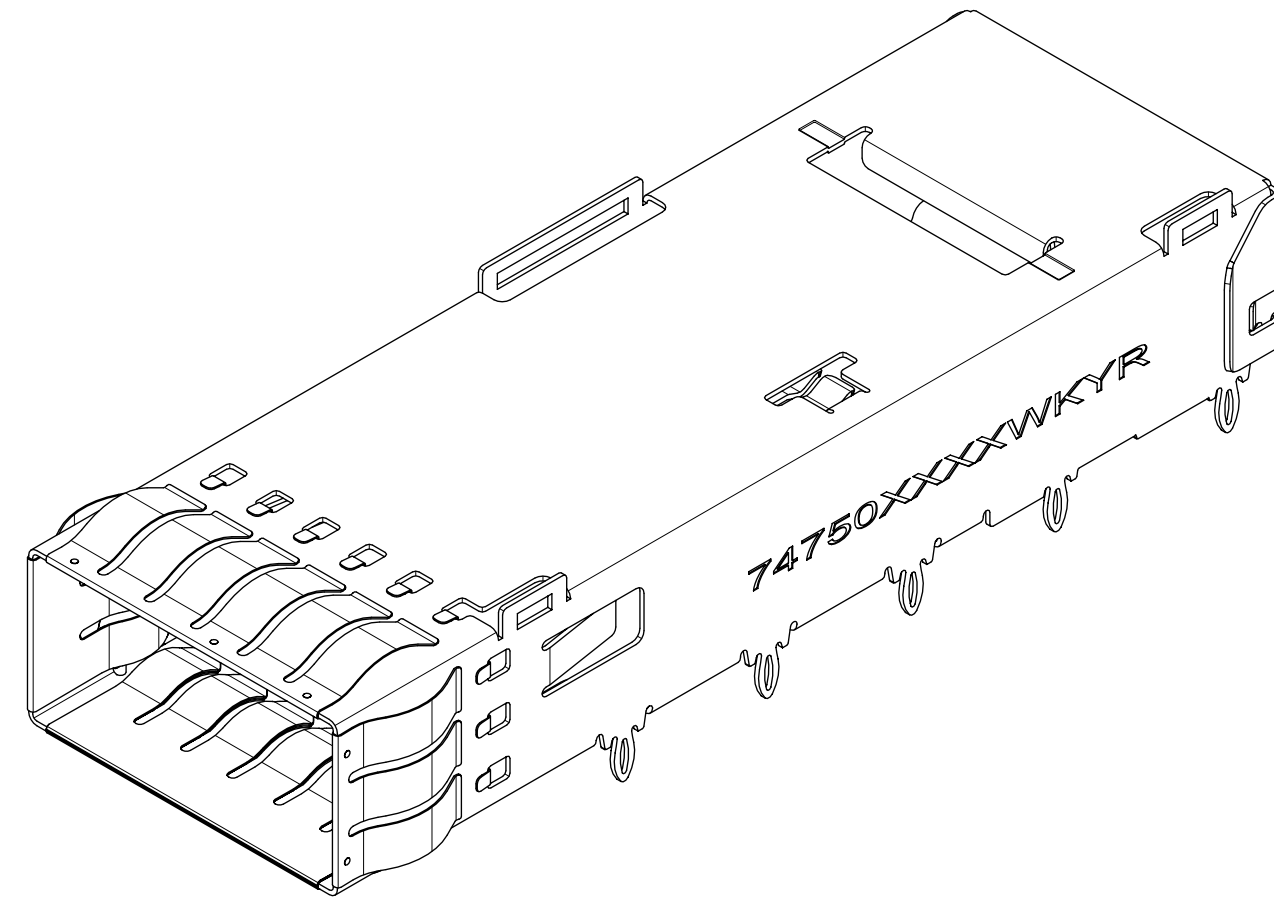
67.29

FUNCTIONAL SYMBOLS $\nabla_A = 0$ $\nabla_C = 0$ $\nabla_D = 0$	THIS DRAWING CONTAINS INFORMATION THAT IS PROPRIETARY TO MOLEX ELECTRONIC TECHNOLOGIES, LLC AND SHOULD NOT BE USED WITHOUT WRITTEN PERMISSION		CURRENT REV DESC: SEE REV TABLE.				
	DIMENSION UNITS	SCALE					
	mm	3:1					
	GENERAL TOLERANCES (UNLESS SPECIFIED)						
	ANGULAR TOL $\pm 1.0^\circ$						
DIVISIONAL SYMBOLS	4 PLACES	\pm	EC NO: 723392		PRODUCT CUSTOMER DRAWING DOCUMENT NUMBER: 747503021 DOC TYPE: PSD DOC PART: ASY REVISION: B		
	3 PLACES	\pm	DRWN: VISHNM2	2022/09/27			
	2 PLACES	± 0.13	CHK'D: DKUMARG	2022/10/03			
	1 PLACE	± 0.25	APPR: SCHIEN	2022/10/12			
	0 PLACES	\pm	INITIAL REVISION: DRWN: CHETHH2	2022/02/17			
DRAFT WHERE APPLICABLE MUST REMAIN WITHIN DIMENSIONS		THIRD ANGLE PROJECTION	DRAWING	SERIES	MATERIAL NUMBER	CUSTOMER	SHEET NUMBER
			D-SIZE	74750	SEE P/N TABLE	GENERAL MARKET	4 OF 11

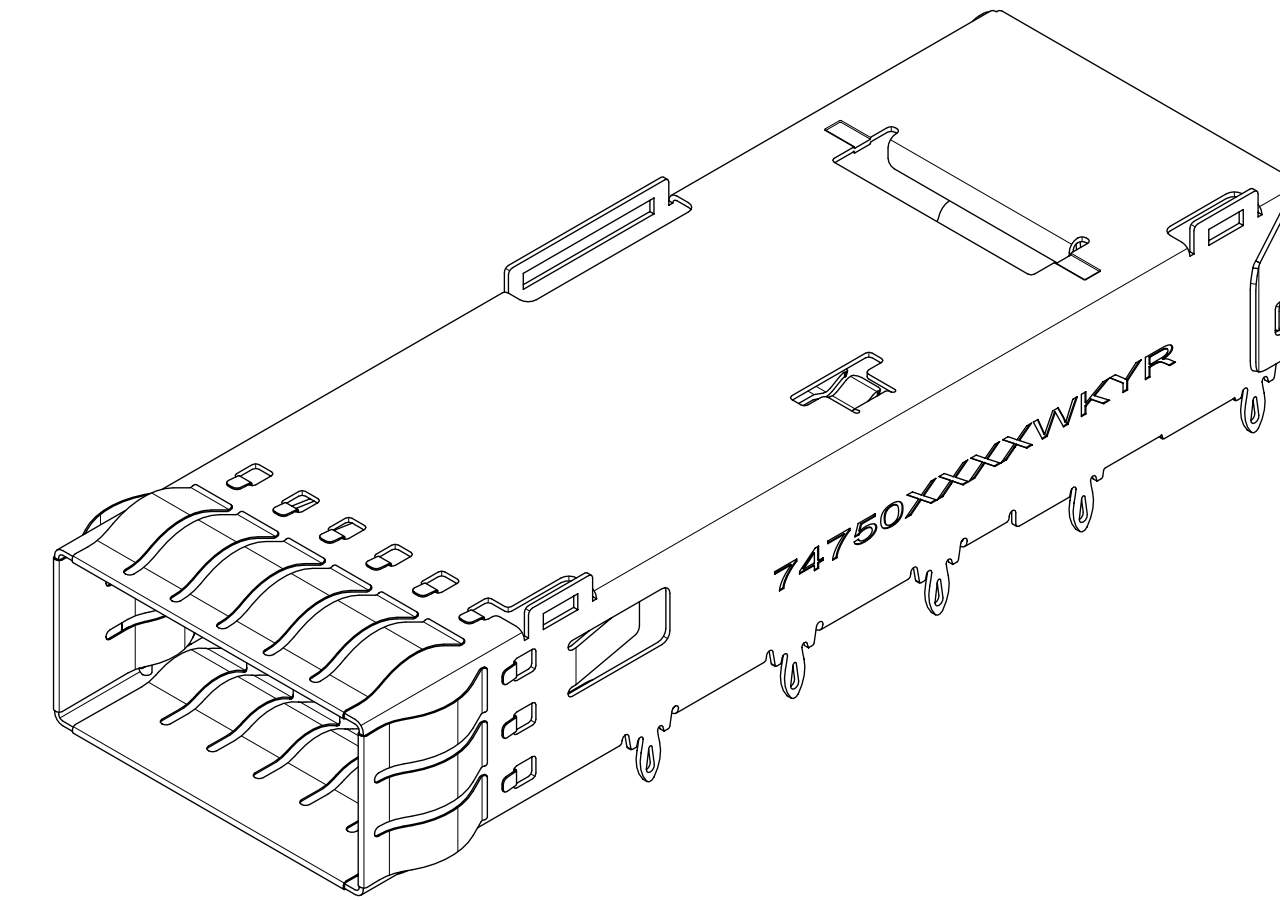
PART NUMBER SELECTION



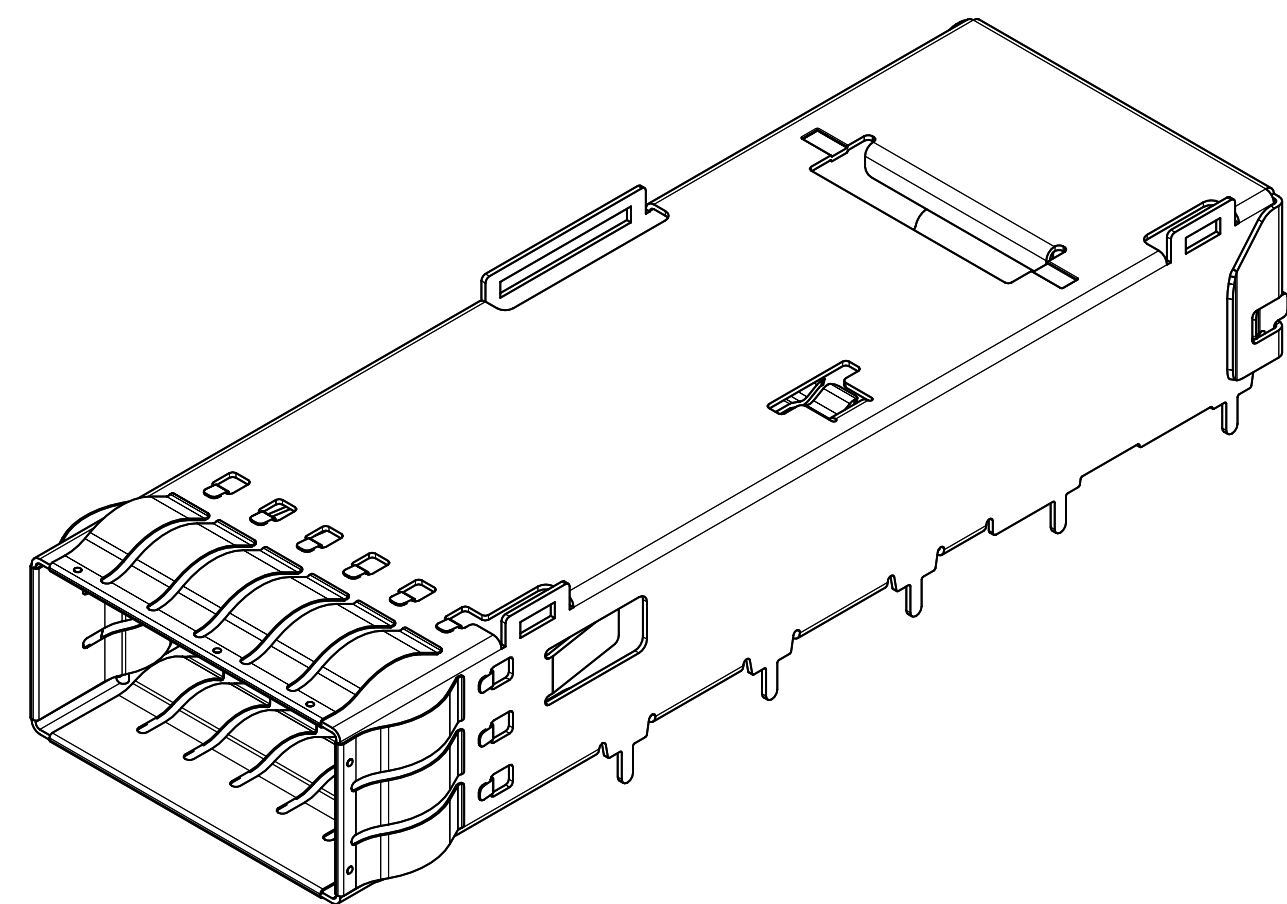
MOLEX P/N	HS	# OF REAR LEGS PER PORT	LEG TYPE	DIM "A"	PLATING
747503040	SAN	2	PRESS FIT-EON	2.28	NICKEL
747503044	PCI	2	PRESS FIT-EON	2.28	NICKEL
747503046	NET	2	PRESS FIT-EON	2.28	NICKEL



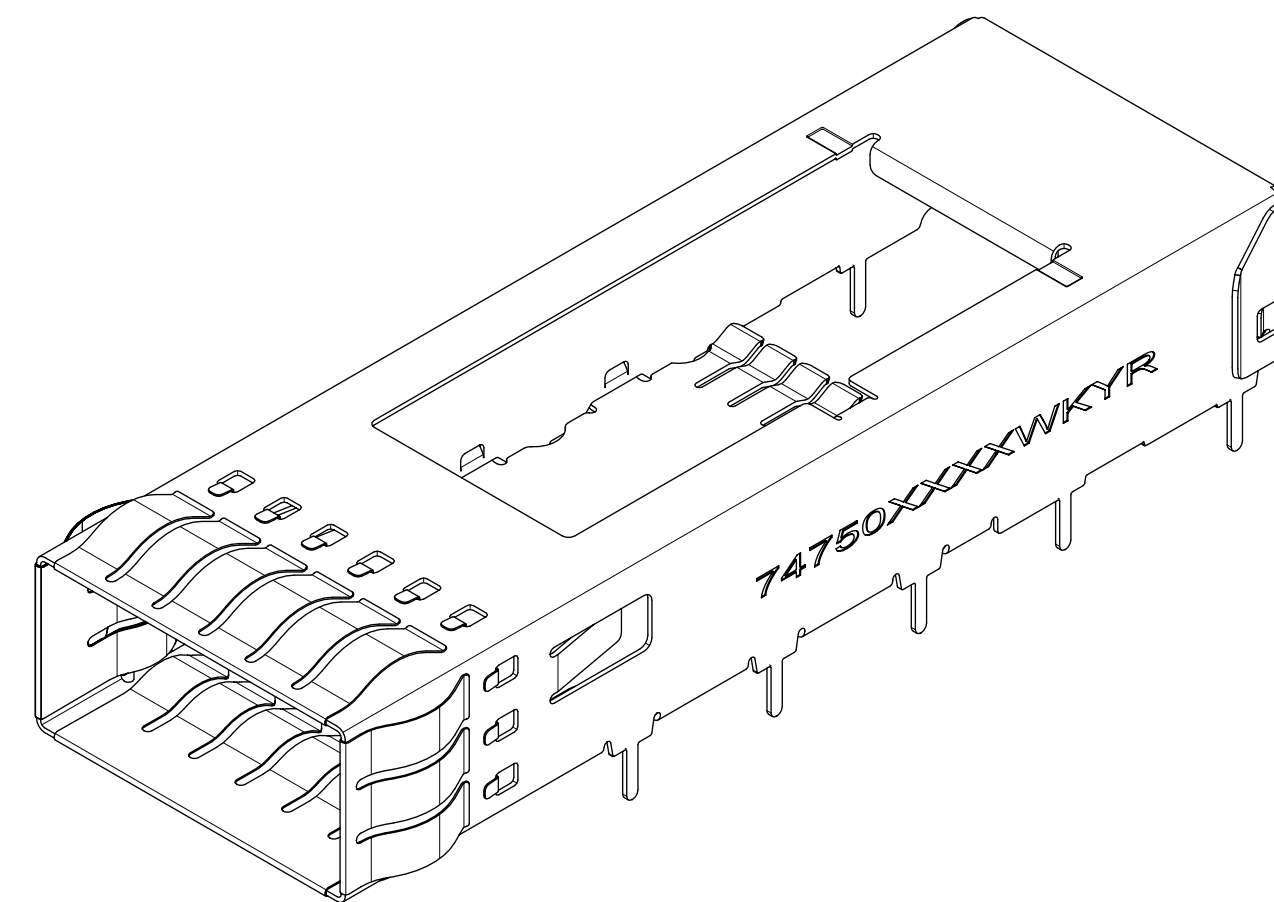
MOLEX P/N	# OF REAR LEGS PER PORT	LEG TYPE	DIM "A"	PLATING
747503024	2	PRESS FIT-EON	2.28	NICKEL



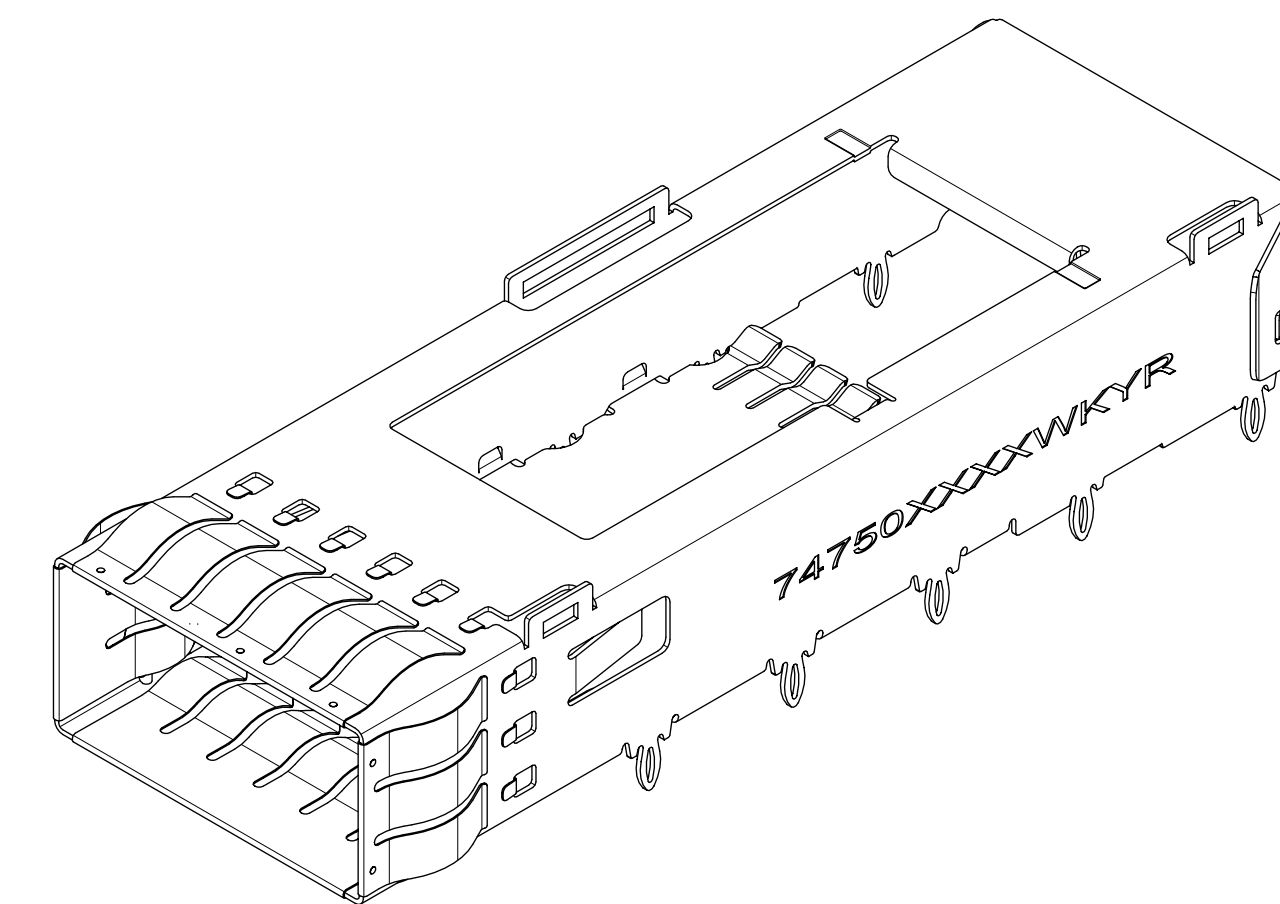
MOLEX P/N	# OF REAR LEGS PER PORT	LEG TYPE	DIM "A"	PLATING
747503102	2	PRESS FIT-TD	2.28	NICKEL



MOLEX P/N	# OF REAR LEGS PER PORT	LEG TYPE	DIM "A"	PLATING
747503051	2	SOLDER POST	1.90	NICKEL



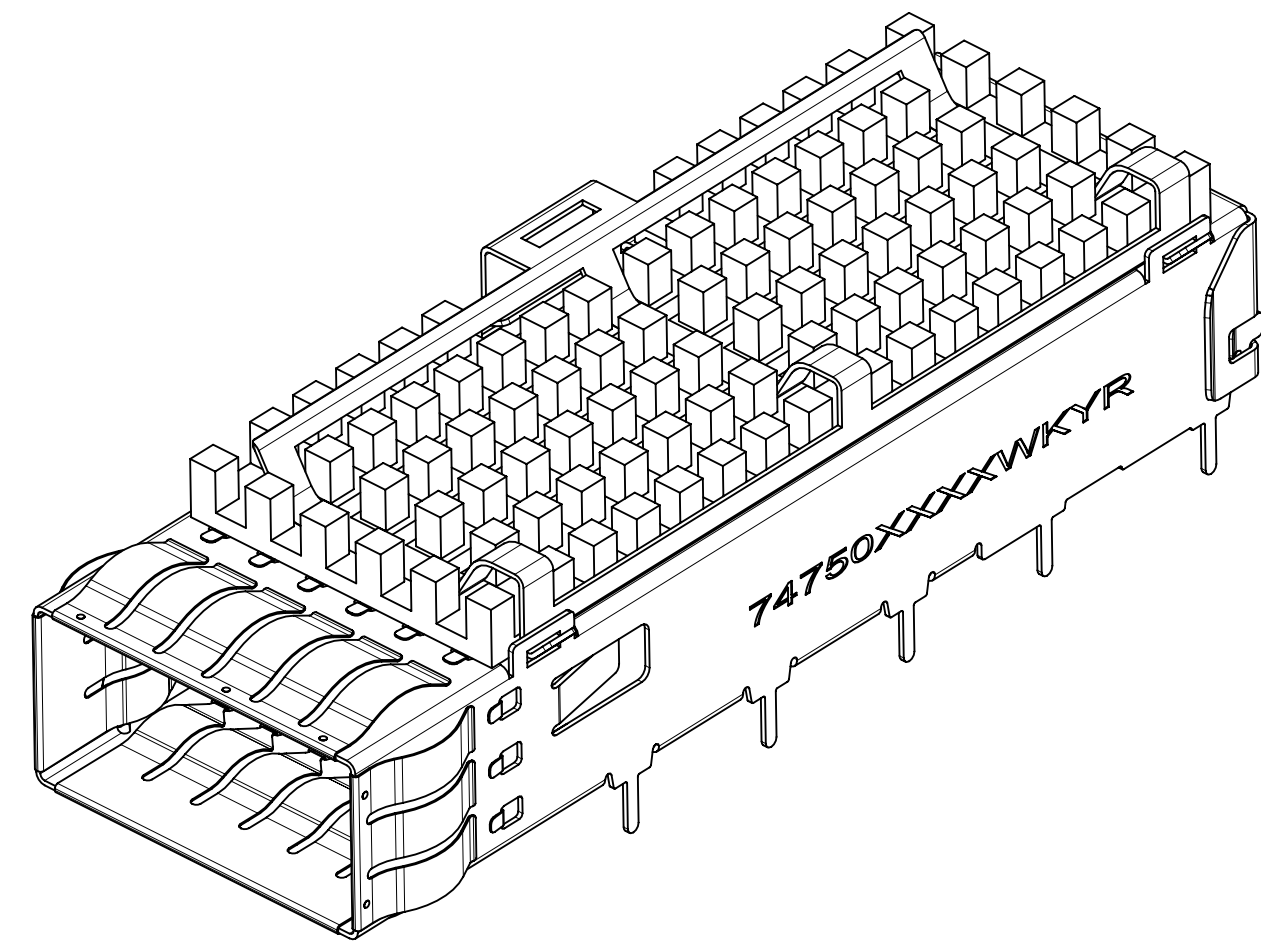
MOLEX P/N	# OF REAR LEGS PER PORT	LEG TYPE	DIM "A"	PLATING
747503062	2	SOLDER POST	2.90	NICKEL



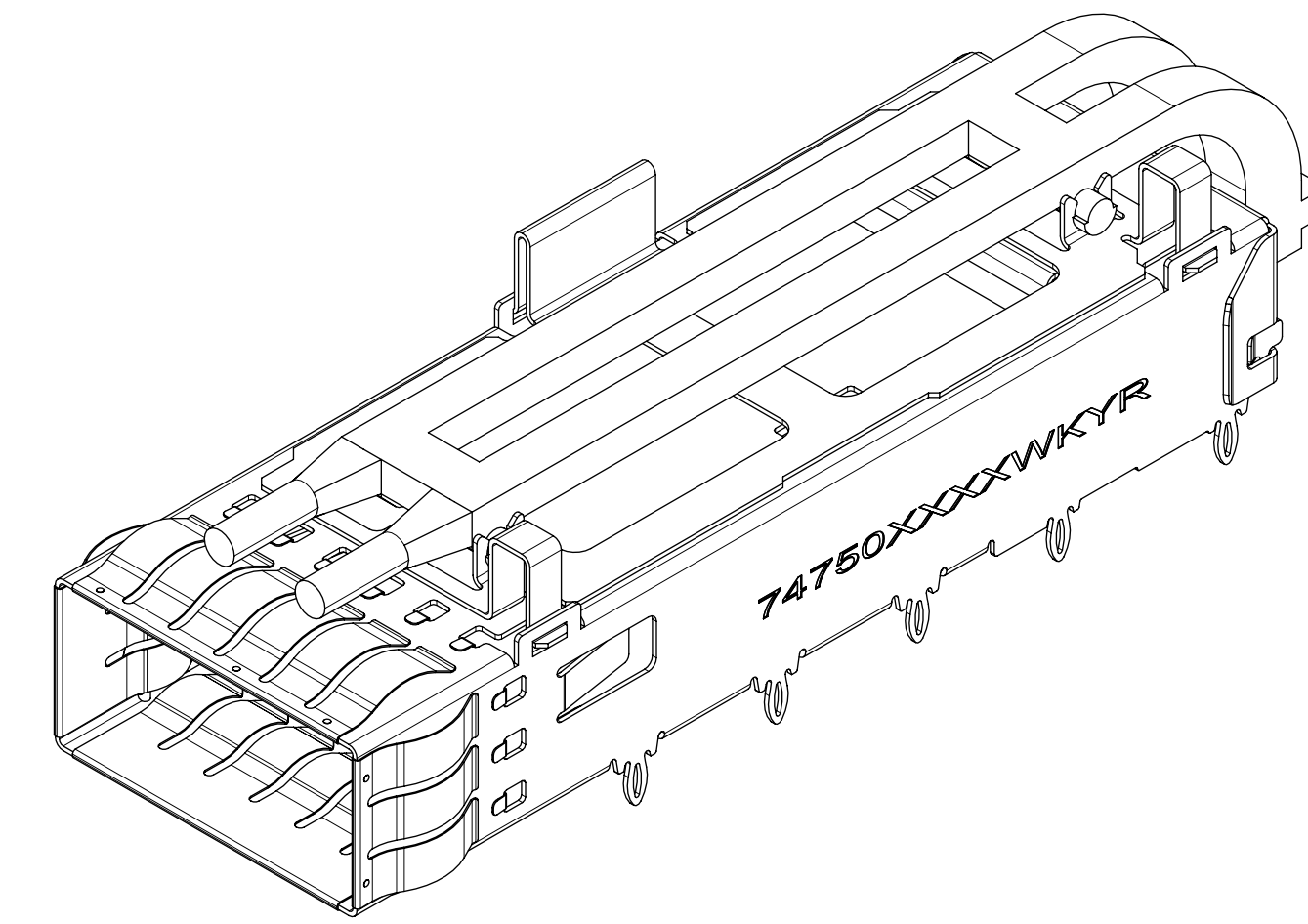
MOLEX P/N	# OF REAR LEGS PER PORT	LEG TYPE	DIM "A"	PLATING
747503021	2	PRESS FIT-EON	2.28	NICKEL
747503023	0	PRESS FIT-EON	2.28	NICKEL

FUNCTIONAL SYMBOLS FA = 0 EC = 0 EP = 0 DIVISIONAL SYMBOLS	THIS DRAWING CONTAINS INFORMATION THAT IS PROPRIETARY TO MOLEX ELECTRONIC TECHNOLOGIES, LLC AND SHOULD NOT BE USED WITHOUT WRITTEN PERMISSION DIMENSION UNITS: mm SCALE: 3:1		CURRENT REV DESC: SEE REV TABLE.			
	GENERAL TOLERANCES (UNLESS SPECIFIED) ANGULAR TOL ± 1.0°		EC NO: 723392 DRWN: VISHNM2 2022/09/27 CHK'D: DKUMARG 2022/10/03 APPR: SCHIEN 2022/10/12			QSFP+ 1X1 CAGE ASSEMBLY WITH SUS TAB TYPE SPRING FINGER PRODUCT CUSTOMER DRAWING
	4 PLACES ± 3 PLACES ± 2 PLACES ± 0.13 1 PLACE ± 0.25 0 PLACES ±		INITIAL REVISION: DRWN: CHETHH2 2022/02/17 APPR: JCHIANG 2022/03/28			
	DRAFT WHERE APPLICABLE MUST REMAIN WITHIN DIMENSIONS		THIRD ANGLE PROJECTION	DRAWING: D-SIZE		SERIES: 74750

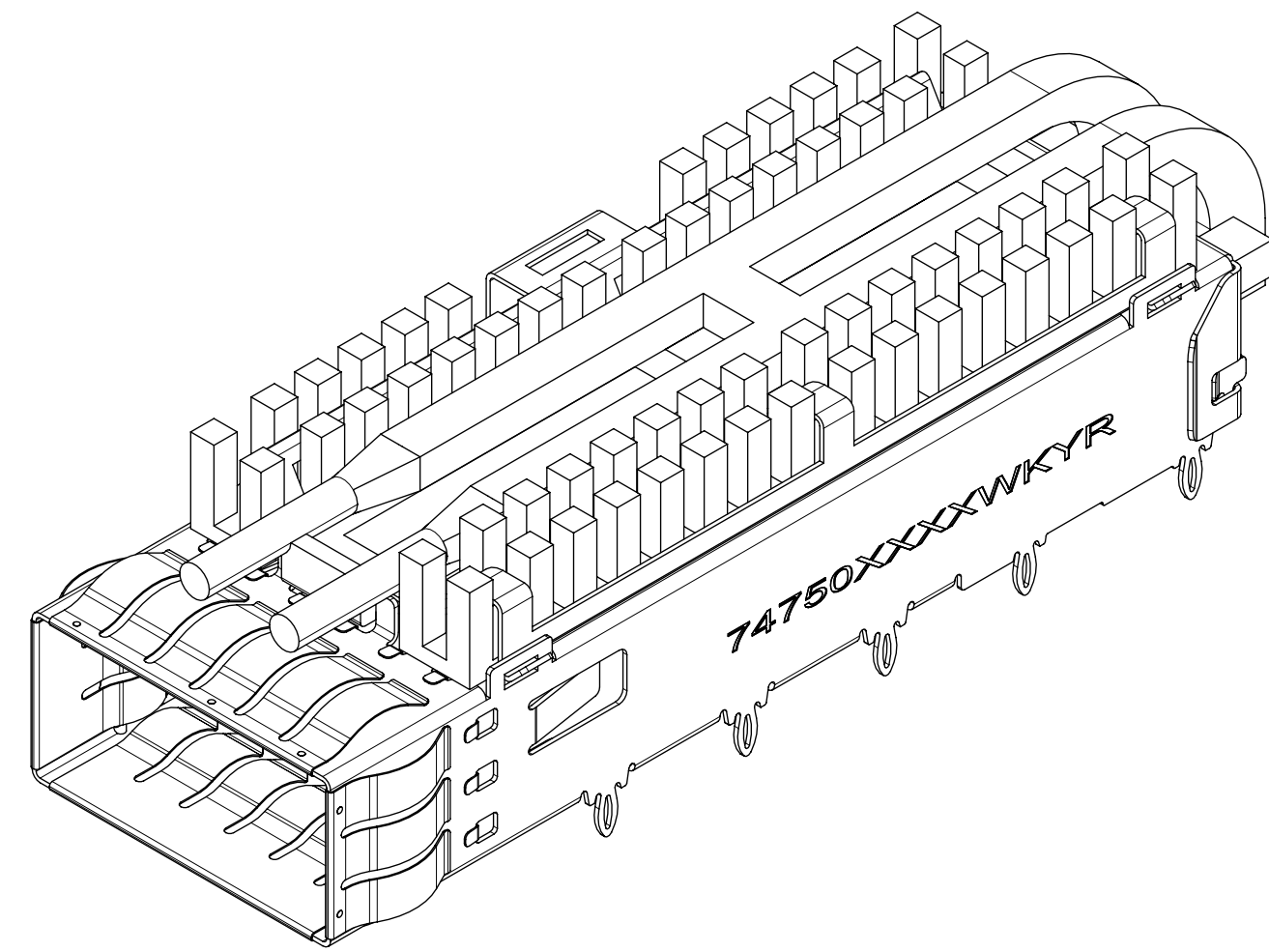
PART NUMBER SELECTION (CONT)



MOLEX P/N	HS	# OF REAR LEGS PER PORT	LEG TYPE	DIM "A"	PLATING
747503057	PCI	2	SOLDER POST	2.90	NICKEL



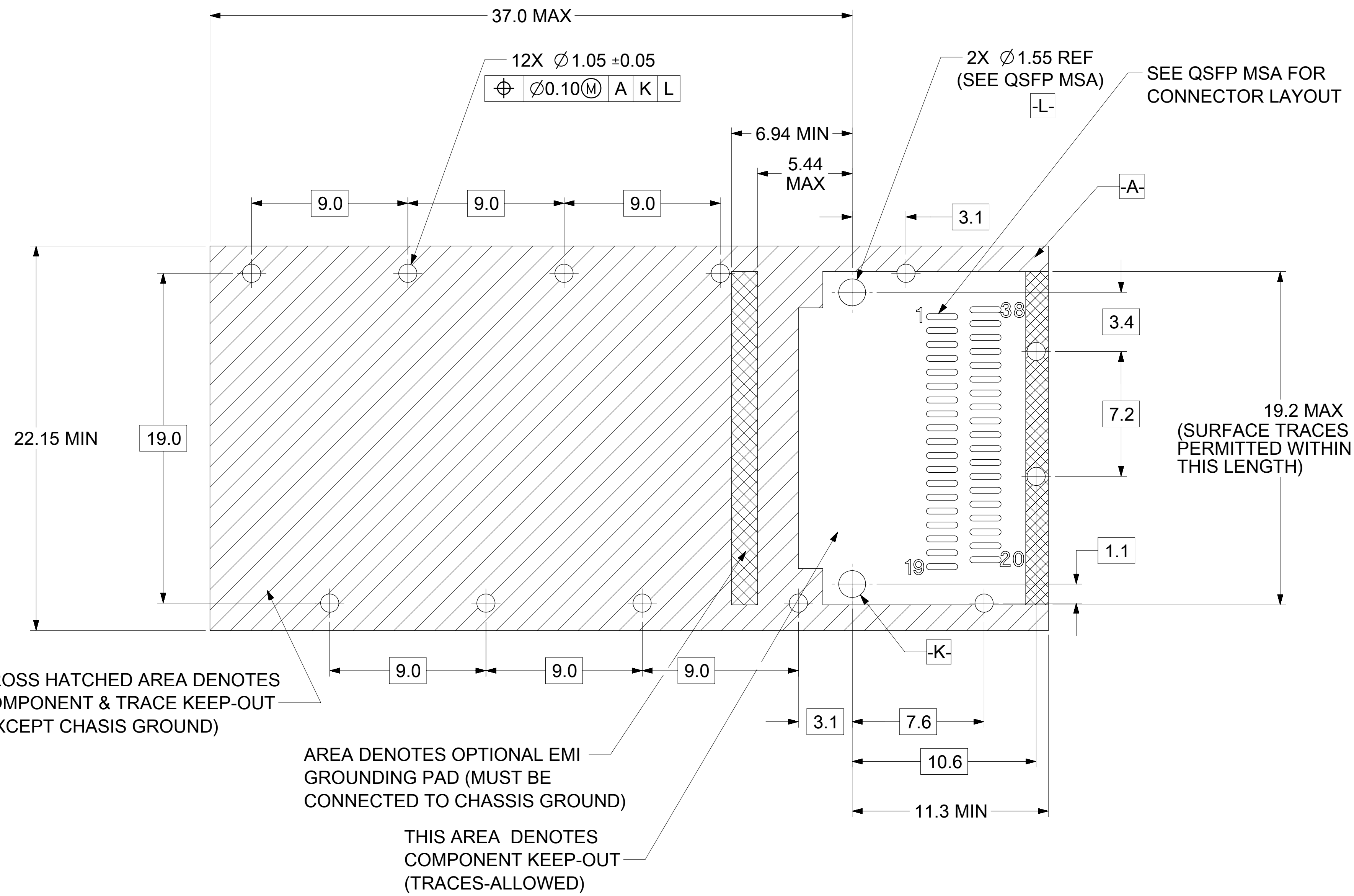
MOLEX P/N	MOLEX CAGE W/O HS ASSEMBLY P/N	LIGHT PIPE ASSEMBLY P/N	TIP STYLE	# OF REAR LEGS PER PORT	LEG TYPE	DIM "A"	DIM "B"	PLATING
747503586	747503024	747500031	ROUND	2	PRESS FIT-EON	2.28	60.25	NICKEL



MOLEX P/N	MOLEX CAGE W/O HS ASSEMBLY P/N	LP SINGLE(747500403) DUAL(747500404)	TIP STYLE	HS	# OF REAR LEGS PER PORT	LEG TYPE	DIM "A"	DIM "B"	PLATING
747503082	747500092	DUAL	ROUND	SAN	2	PRESS FIT-EON	2.28	60.25	NICKEL
747503083	747500092	DUAL	ROUND	NET	2	PRESS FIT-EON	2.28	60.25	NICKEL
747503088	N/A	DUAL	ROUND	NET	2	PRESS FIT-TD	2.28	60.25	NICKEL

FUNCTIONAL SYMBOLS $\nabla_A = 0$ $\nabla_C = 0$ $\nabla_D = 0$ DIVISIONAL SYMBOLS	THIS DRAWING CONTAINS INFORMATION THAT IS PROPRIETARY TO MOLEX ELECTRONIC TECHNOLOGIES, LLC AND SHOULD NOT BE USED WITHOUT WRITTEN PERMISSION		CURRENT REV DESC: SEE REV TABLE.		<p>QSFP+ 1X1 CAGE ASSEMBLY WITH SUS TAB TYPE SPRING FINGER</p> <p>PRODUCT CUSTOMER DRAWING</p>
	4 PLACES	±	EC NO: 723392	2022/09/27	
	3 PLACES	±	DRWN: VISHNM2	2022/10/03	
	2 PLACES	± 0.13	CHK'D: DKUMARG	2022/10/12	
1 PLACE	± 0.25	APPR: SCHIEN			
0 PLACES	±	INITIAL REVISION:			
DRAFT WHERE APPLICABLE MUST REMAIN WITHIN DIMENSIONS		THIRD ANGLE PROJECTION	DRAWING	SERIES	DOCUMENT NUMBER
			D-SIZE	74750	747503021
					PSD ASY B
					SEE P/N TABLE
					GENERAL MARKET
					6 OF 11

PCB LAYOUT FOR SINGLE SIDED MOUNTING



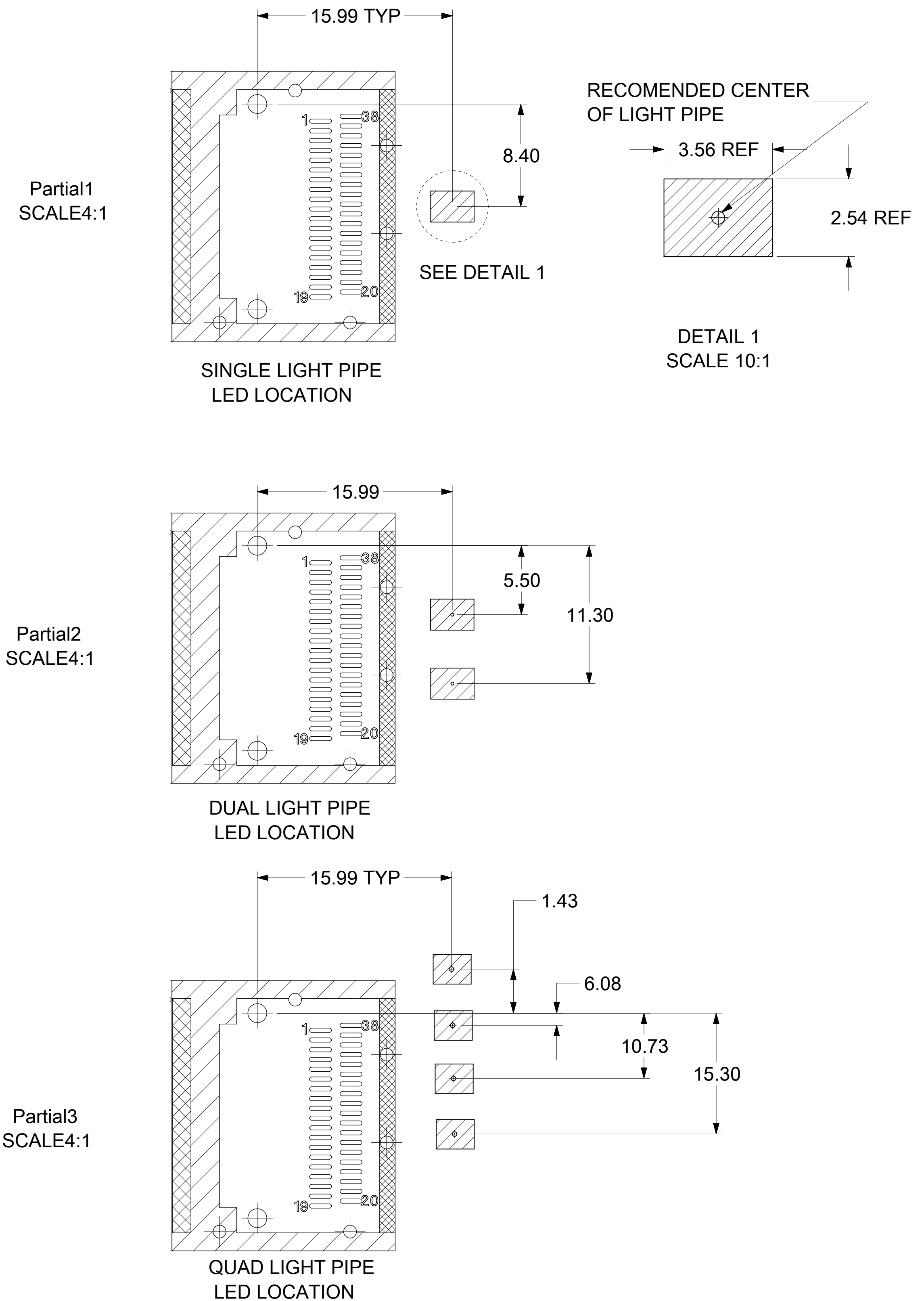
CROSS HATCHED AREA DENOTES COMPONENT & TRACE KEEP-OUT (EXCEPT CHASSIS GROUND)

AREA DENOTES OPTIONAL EMI GROUNDING PAD (MUST BE CONNECTED TO CHASSIS GROUND)

THIS AREA DENOTES COMPONENT KEEP-OUT (TRACES-ALLOWED)

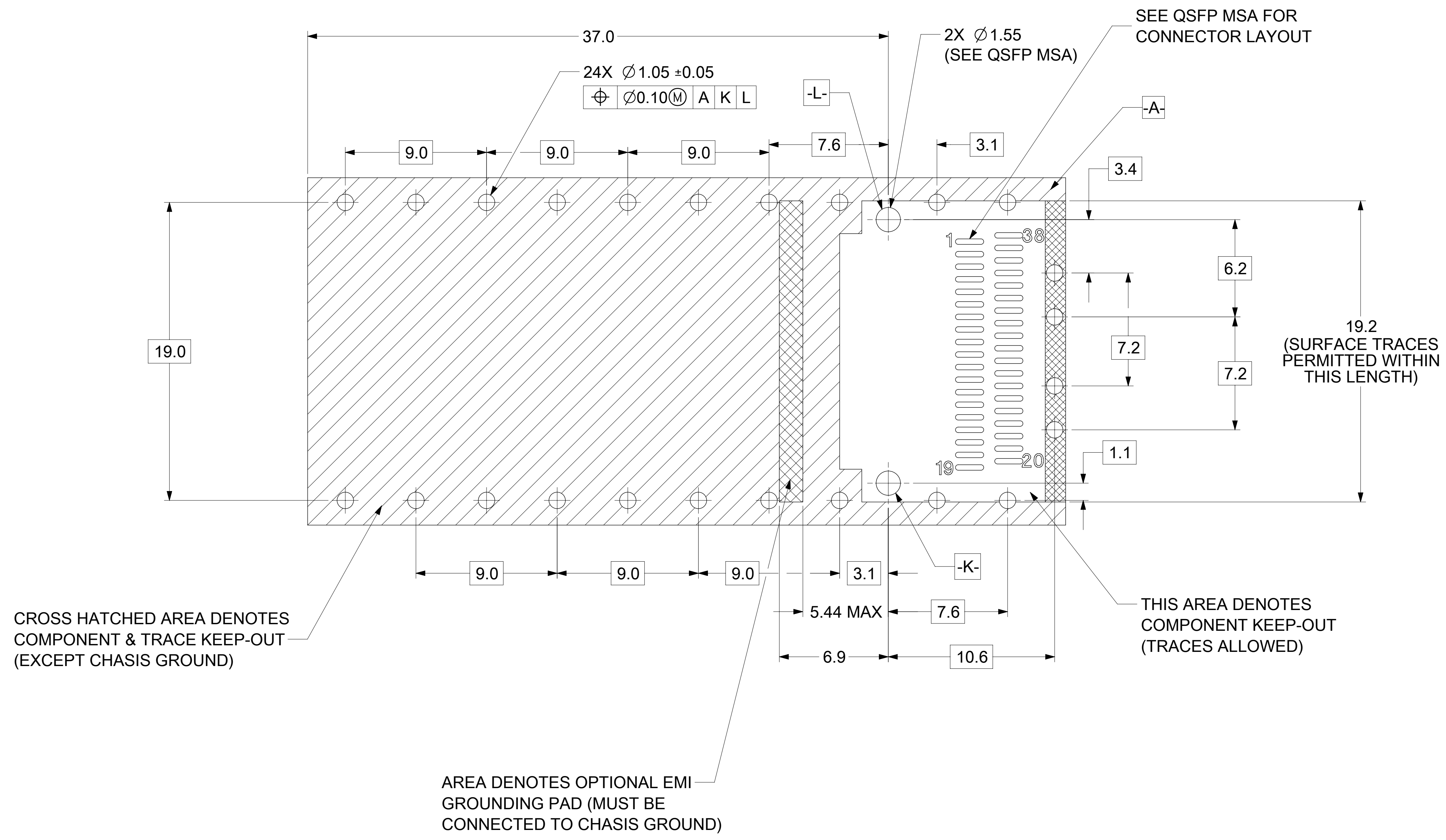
- NOTES:
- DATUM -A- IS TOP SURFACE OF HOST BOARD PER MSA
 - FINISHED HOLE SIZE (AFTER PLATING)
 - DATUM -K- IS HOST BOARD THRU HOLE #1 TO ACCEPT CONNECTOR GUIDE POST PER MSA
 - DATUM -L- IS HOST BOARD THRU HOLE #2 TO ACCEPT CONNECTOR GUIDE POST PER MSA
 - SINGLE SIDED BOARD THICKNESS
MINIMUM: 1.57 [0.061"] FOR 3.05MM & 2.90MM LEGS.
MINIMUM: 1.44 [0.057"] FOR 2.28MM & 1.90MM LEGS.
 - LED SHOULD BE PLACED RELATIVE TO THE QSFP CONNECTOR POST HOLES.

HOST CONNECTOR DETAIL



FUNCTIONAL SYMBOLS	THIS DRAWING CONTAINS INFORMATION THAT IS PROPRIETARY TO MOLEX ELECTRONIC TECHNOLOGIES, LLC AND SHOULD NOT BE USED WITHOUT WRITTEN PERMISSION										
FA = 0	DIMENSION UNITS	SCALE	CURRENT REV DESC: SEE REV TABLE.								
FC = 0	mm	6:1									
FD = 0	GENERAL TOLERANCES (UNLESS SPECIFIED)									QSFP+ 1X1 CAGE ASSEMBLY WITH SUS TAB TYPE SPRING FINGER	
	ANGULAR TOL ± 1.0°									PRODUCT CUSTOMER DRAWING	
	4 PLACES	±	EC NO: 723392 DRWN: VISHNM2 CHK'D: DKUMARG APPR: SCHIEN							DOCUMENT NUMBER: 747503021 DOC TYPE: PSD DOC PART: ASY REVISION: B	
	3 PLACES	±	INITIAL REVISION: DRWN: CHETHH2 APPR: JCHIANG							MATERIAL NUMBER: SEE P/N TABLE CUSTOMER: GENERAL MARKET	
	2 PLACES	± 0.13								SHEET NUMBER: 7 OF 11	
	1 PLACE	± 0.25									
	0 PLACES	±									
	DRAFT WHERE APPLICABLE MUST REMAIN WITHIN DIMENSIONS		THIRD ANGLE PROJECTION		DRAWING	SERIES	MATERIAL NUMBER		CUSTOMER		
					D-SIZE	74750	SEE P/N TABLE		GENERAL MARKET		

PCB LAYOUT FOR BELLY TO BELLY MOUNTING



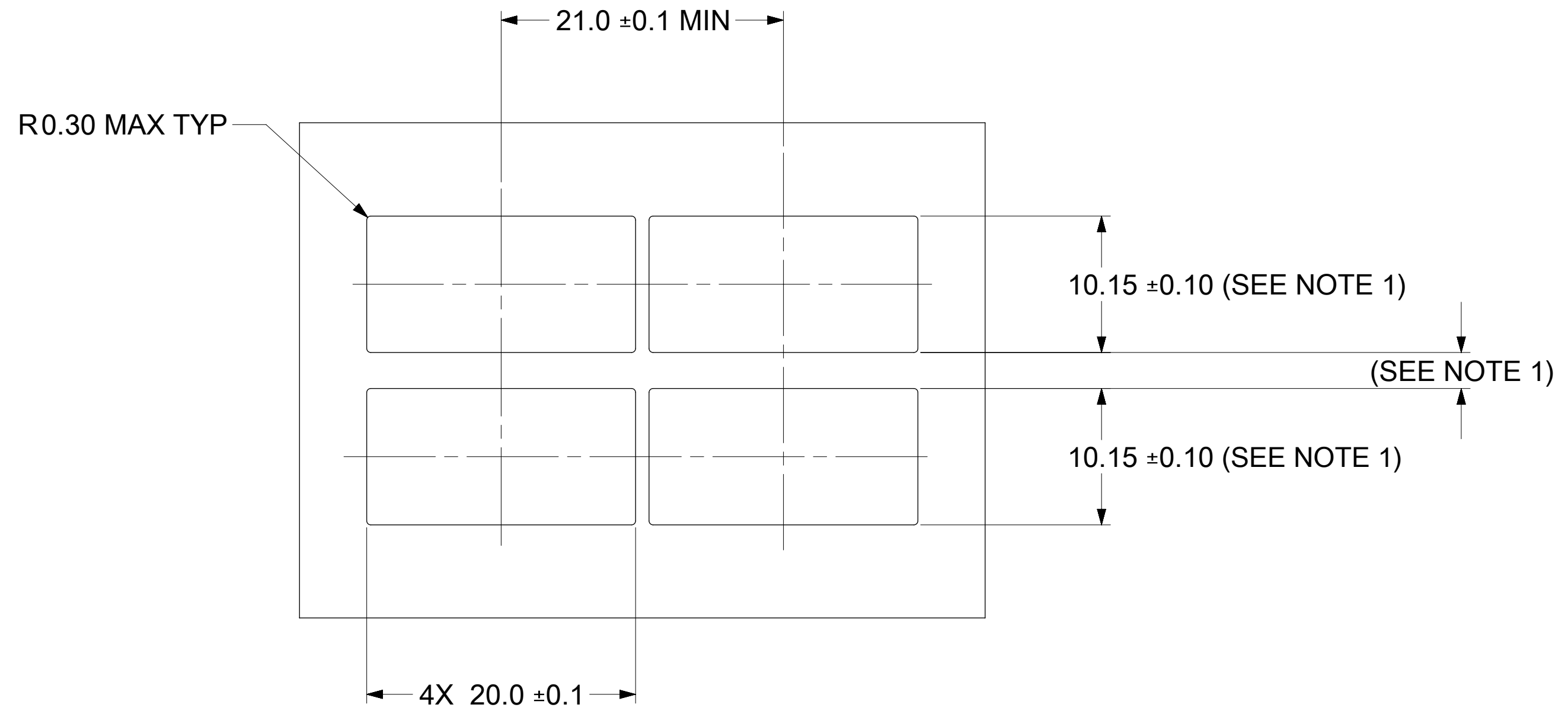
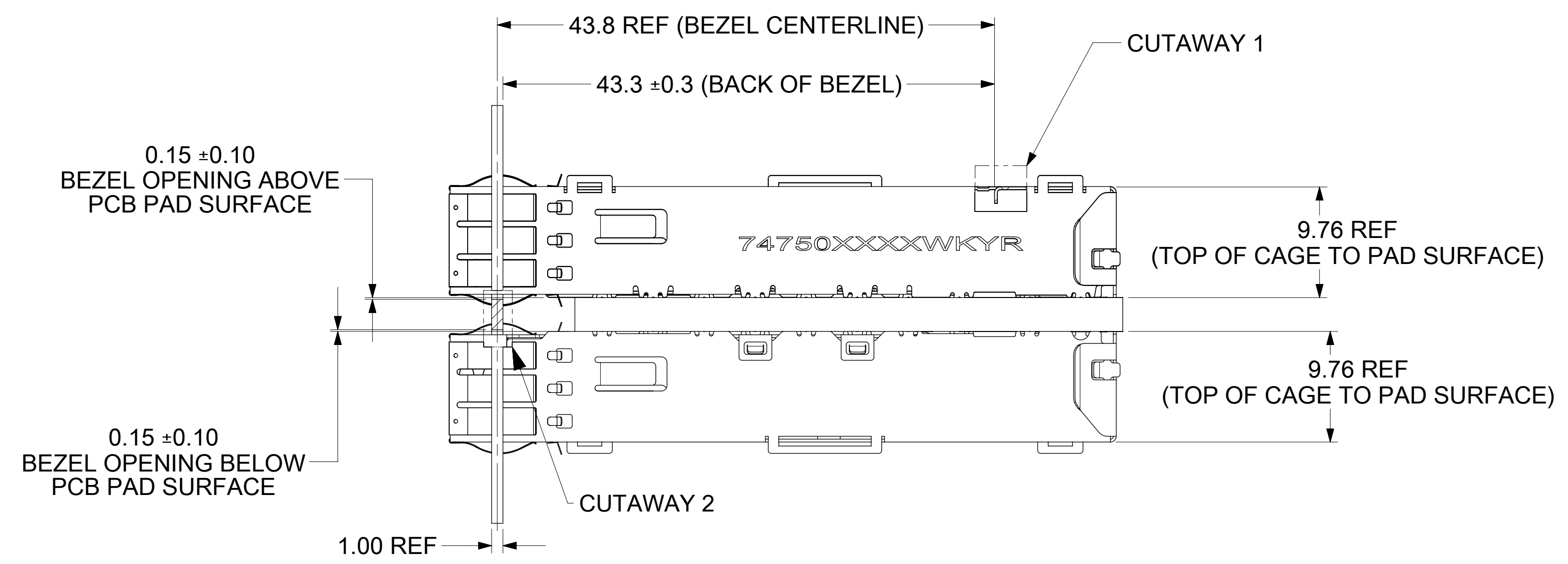
NOTE:
SEE PREVIOUS SHEET FOR
HOST CONNECTOR DETAIL
AND LED LOCATION DETAILS

- NOTES:**
- DATUM -A- IS TOP SURFACE OF HOST BOARD PER MSA.
 - FINISHED HOLE SIZE (AFTER PLATING).
 - DATUM -K- IS HOST BOARD THRU HOLE #1 TO ACCEPT CONNECTOR GUIDE POST PER MSA.
 - DATUM -L- IS HOST BOARD THRU HOLE #2 TO ACCEPT CONNECTOR GUIDE POST PER MSA.
 - BELLY TO BELLY BOARD THICKNESS:
MINIMUM: 3.00 [0.118"] FOR 3.05MM LEGS.
MINIMUM: 2.07 [0.081"] FOR 2.28MM LEGS.
1.90MM AND 2.90MM SOLDER POST LEGS CANNOT BE MOUNTED BELLY TO BELLY

FUNCTIONAL SYMBOLS	THIS DRAWING CONTAINS INFORMATION THAT IS PROPRIETARY TO MOLEX ELECTRONIC TECHNOLOGIES, LLC AND SHOULD NOT BE USED WITHOUT WRITTEN PERMISSION		CURRENT REV DESC: SEE REV TABLE.		molex
	DIMENSION UNITS	SCALE			
$F_A = 0$	mm	6:1			QSFP+ 1X1 CAGE ASSEMBLY WITH SUS TAB TYPE SPRING FINGER
$F_C = 0$	GENERAL TOLERANCES (UNLESS SPECIFIED)				
$F_P = 0$	ANGULAR TOL ± 1.0°				PRODUCT CUSTOMER DRAWING
DIVISIONAL SYMBOLS	4 PLACES	±	EC NO: 723392		
	3 PLACES	±	DRWN: VISHNM2 2022/09/27		
	2 PLACES	± 0.13	CHK'D: DKUMARG 2022/10/03		
	1 PLACE	± 0.25	APPR: SCHIEN 2022/10/12		
	0 PLACES	±	INITIAL REVISION:		
	DRAFT WHERE APPLICABLE MUST REMAIN WITHIN DIMENSIONS		DRWN: CHETHH2 2022/02/17		DOCUMENT NUMBER 747503021
	THIRD ANGLE PROJECTION		APPR: JCHIANG 2022/03/28		
	DRAWING		SERIES	MATERIAL NUMBER	DOC TYPE
	D-SIZE		74750	SEE P/N TABLE	PSD
	GENERAL MARKET		CUSTOMER		DOC PART
	8 OF 11				REVISION
					B

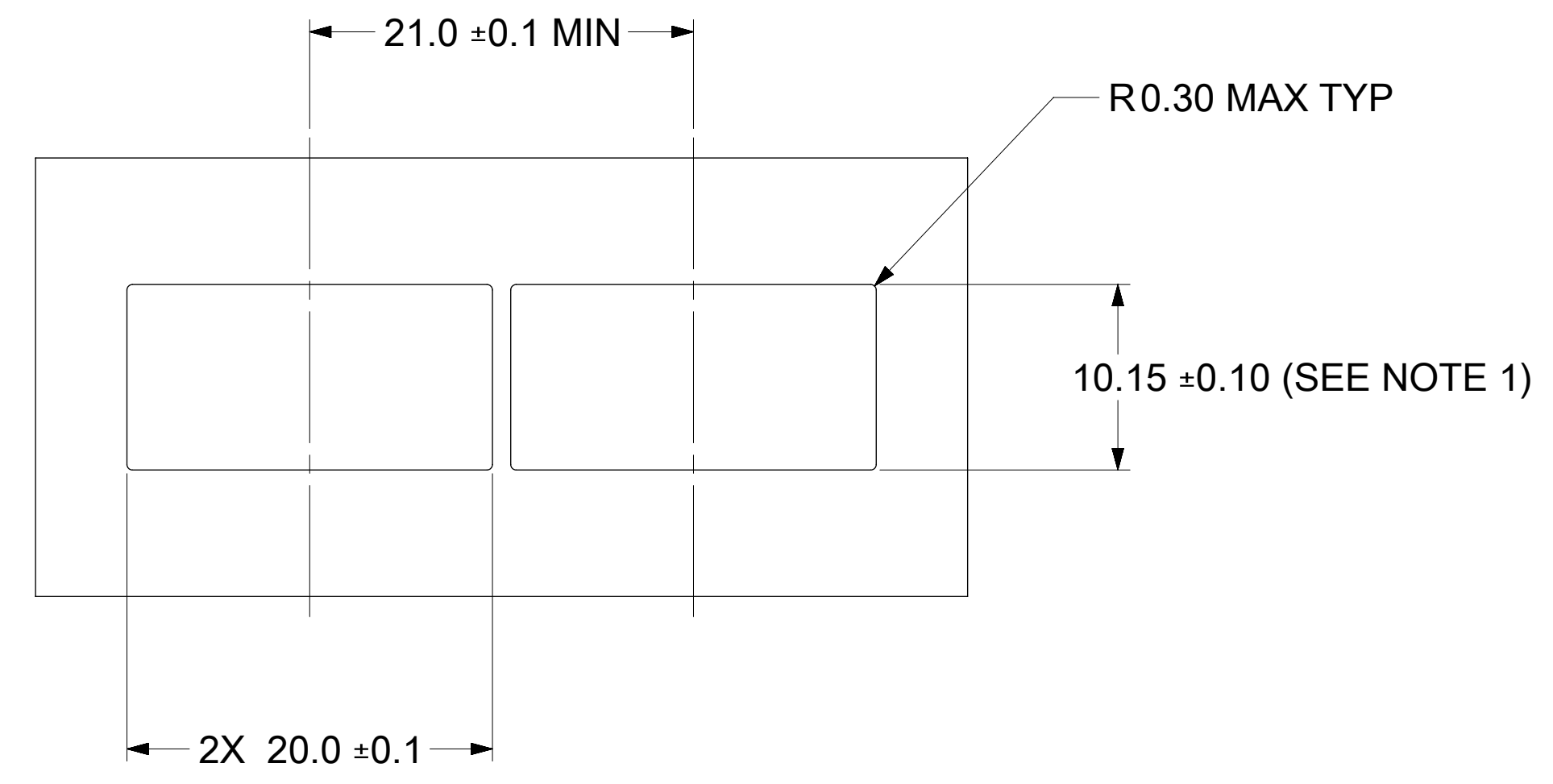
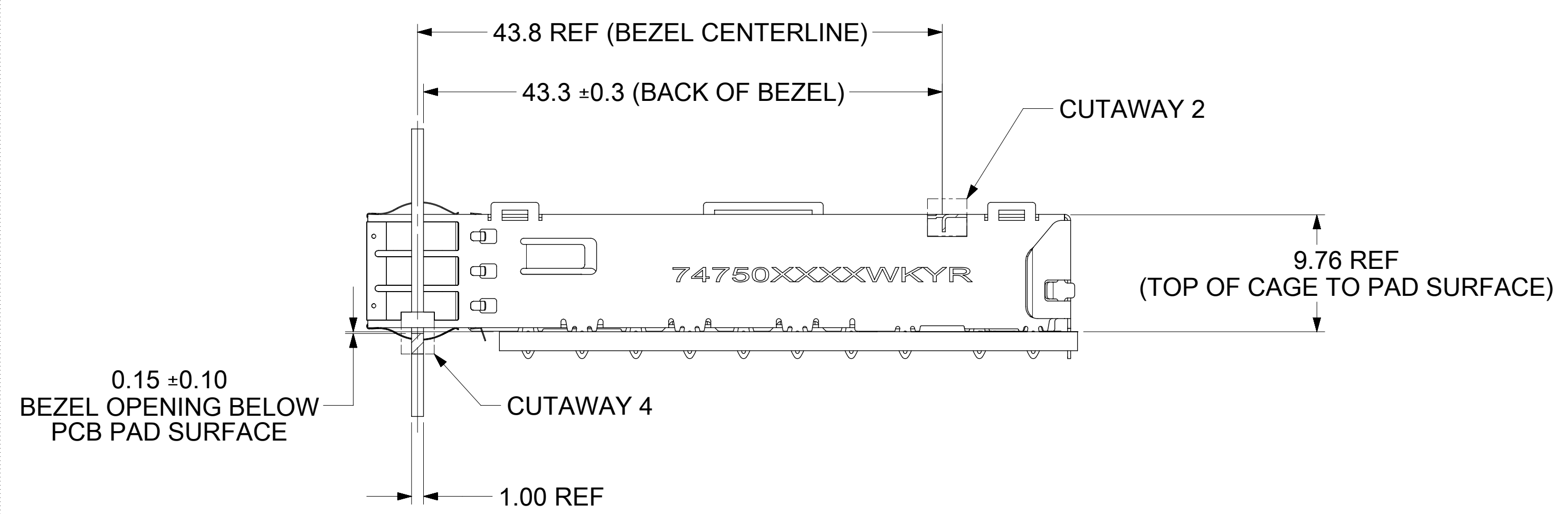
DOCUMENT STATUS	P1	RELEASE DATE	2022/10/12	10:55:32
-----------------	----	--------------	------------	----------

BOARD POSITION AND BEZEL DIMENSIONS FOR BELLY TO BELLY MOUNTING



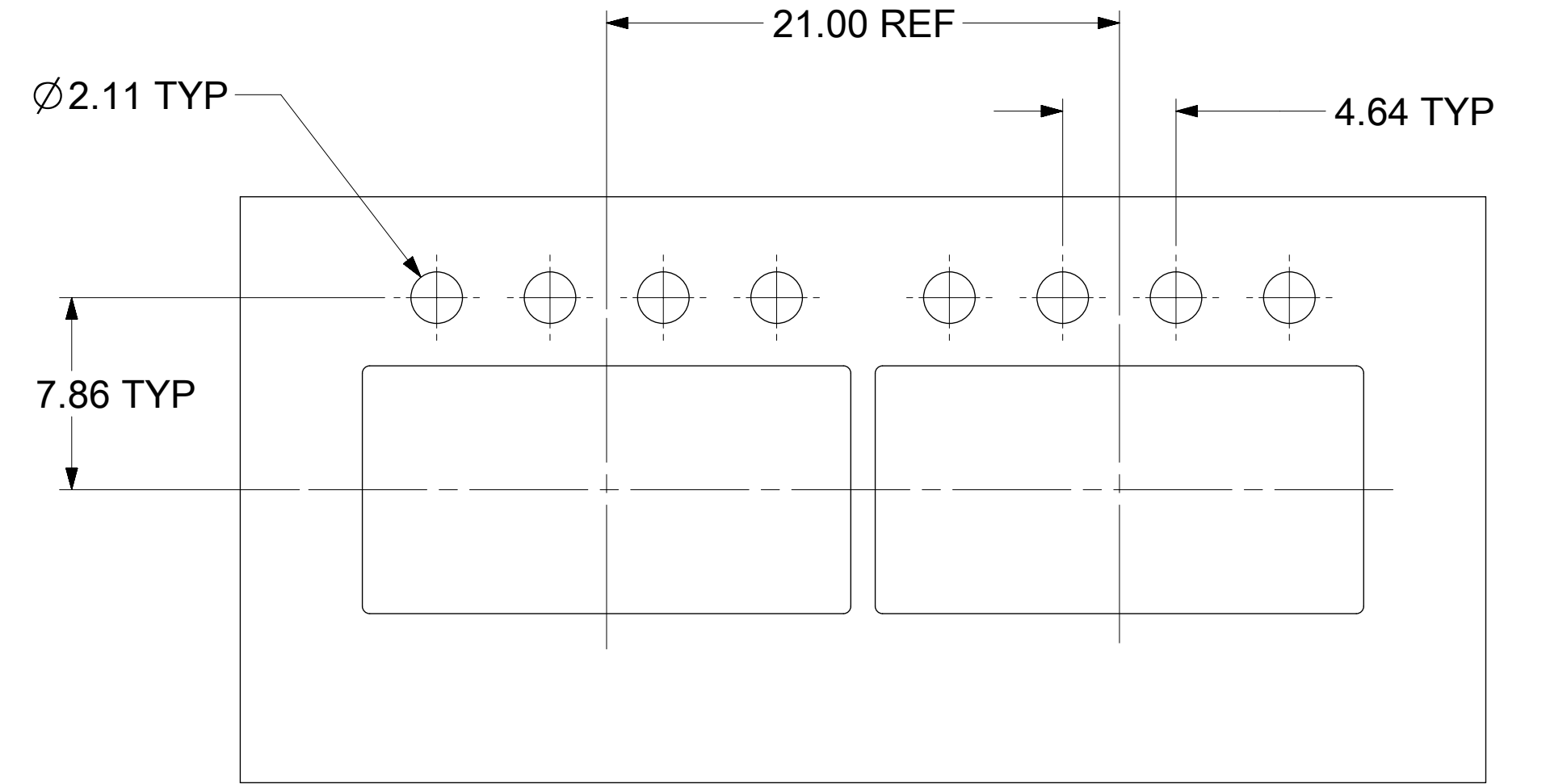
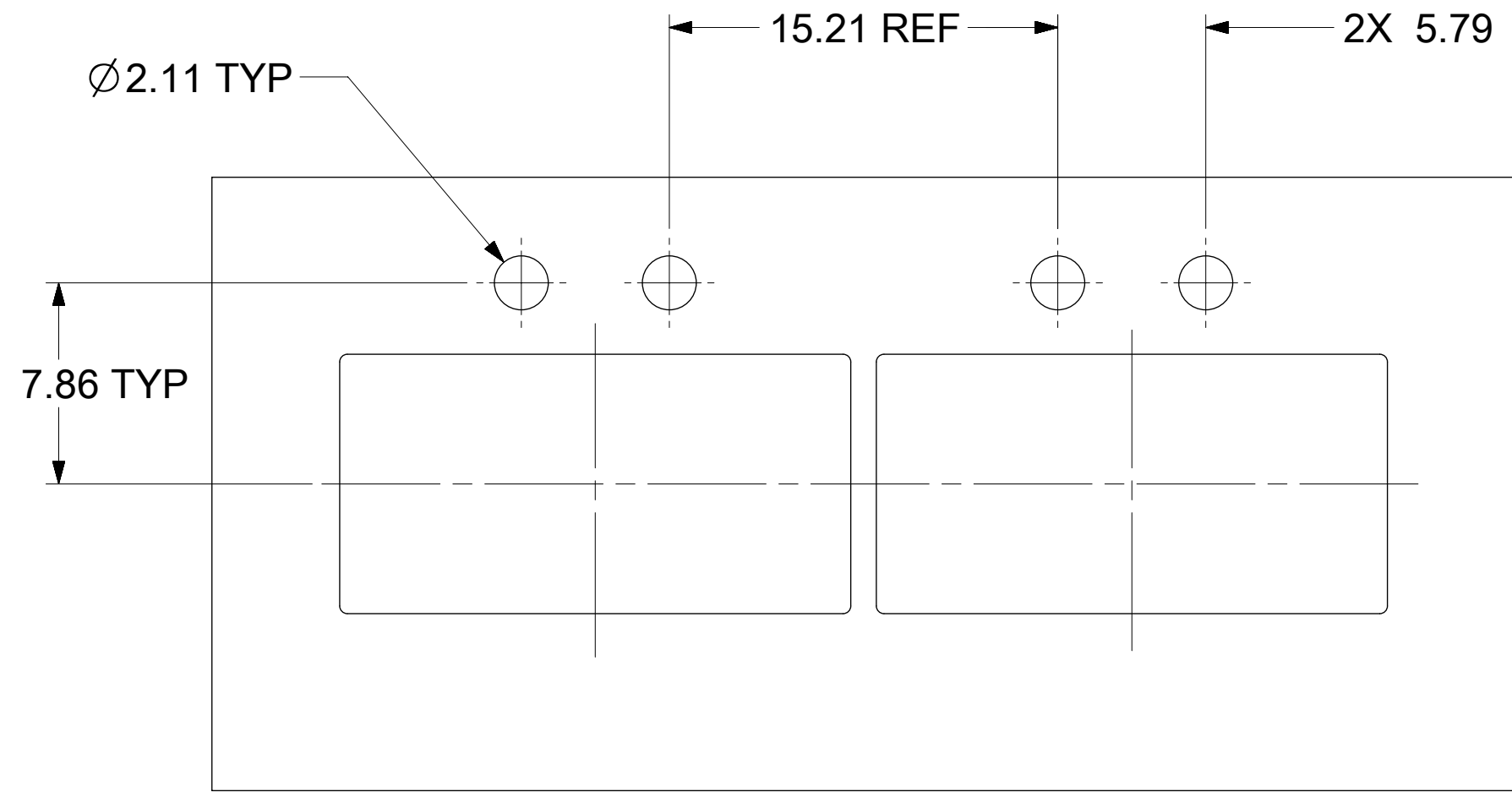
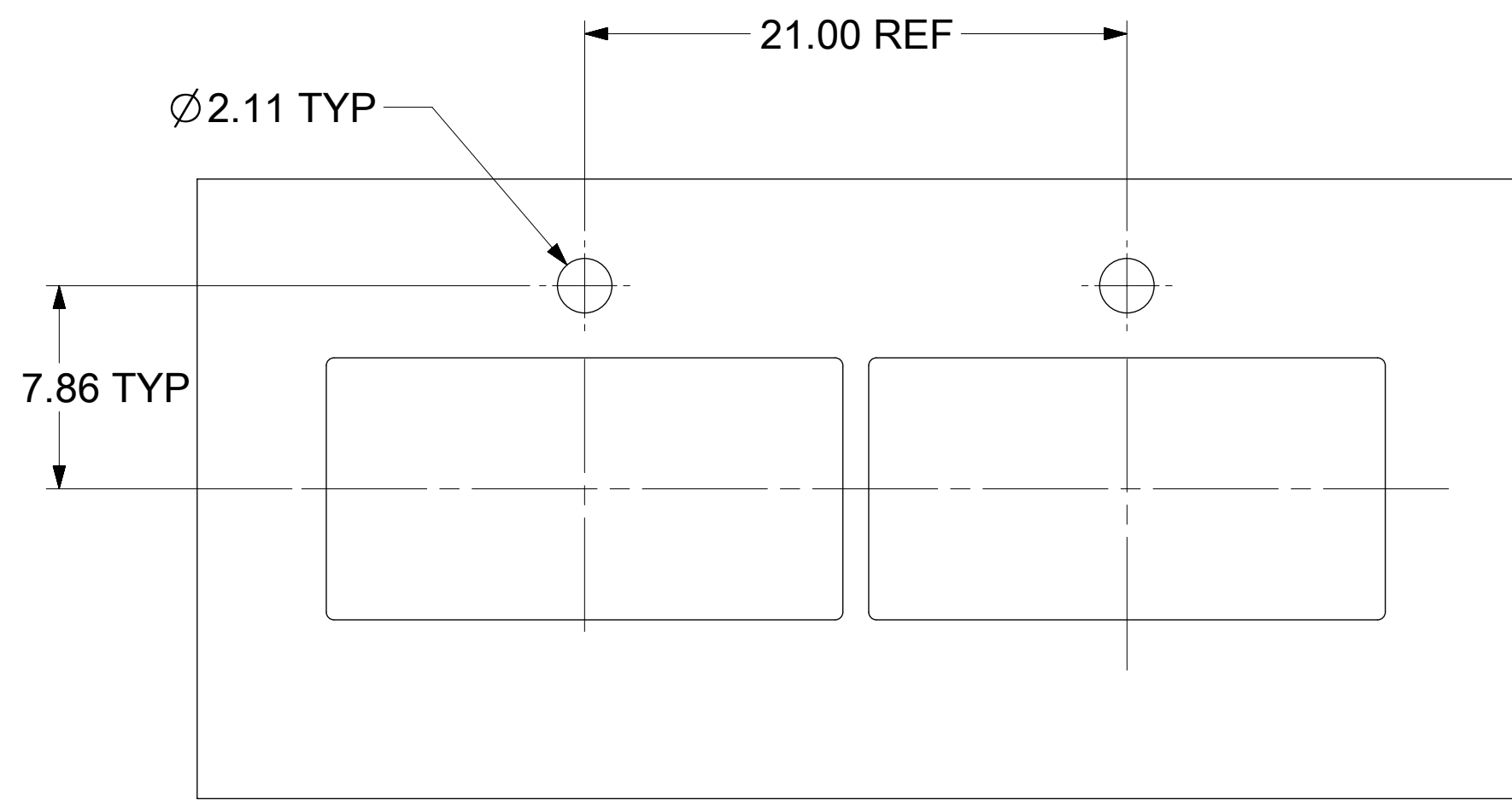
NOTE:
 1. PCB THICKNESS VARIATION MUST BE CONSIDERED WHEN DETERMING BEZEL OPENING, SIZE, AND LOCATION.
 2. SEE QSFP MSA SPECIFICATION FOR BEZEL LOCATION TOLERANCE.

BOARD POSITION AND BEZEL DIMENSIONS FOR SINGLE SIDE MOUNTING



FUNCTIONAL SYMBOLS $\nabla_A = 0$ $\nabla_C = 0$ $\nabla_P = 0$ DIVISIONAL SYMBOLS	THIS DRAWING CONTAINS INFORMATION THAT IS PROPRIETARY TO MOLEX ELECTRONIC TECHNOLOGIES, LLC AND SHOULD NOT BE USED WITHOUT WRITTEN PERMISSION		CURRENT REV DESC: SEE REV TABLE.			
	DIMENSION UNITS	SCALE	EC NO: 723392			
	mm	3:1	DRWN: VISHNM2 2022/09/27			
	GENERAL TOLERANCES (UNLESS SPECIFIED)		CHK'D: DKUMARG 2022/10/03		PRODUCT CUSTOMER DRAWING	
ANGULAR TOL ± 1.0°		APPR: SCHIEN 2022/10/12		DOCUMENT NUMBER		
4 PLACES ±		INITIAL REVISION:		DOC TYPE		
3 PLACES ±		DRWN: CHETHH2 2022/02/17		DOC PART		
2 PLACES ± 0.13		APPR: JCHIANG 2022/03/28		REVISION		
1 PLACE ± 0.25		DRAFT WHERE APPLICABLE MUST REMAIN WITHIN DIMENSIONS		747503021		
0 PLACES ±		THIRD ANGLE PROJECTION		PSD ASY B		
DRAFT WHERE APPLICABLE MUST REMAIN WITHIN DIMENSIONS		DRAWING		MATERIAL NUMBER		
		D-SIZE		CUSTOMER		
		SERIES		GENERAL MARKET		
		74750		SEE P/N TABLE		
				SHEET NUMBER		
				9 OF 11		

LIGHT PIPE CUTOUT DIMENSIONS



FUNCTIONAL SYMBOLS	THIS DRAWING CONTAINS INFORMATION THAT IS PROPRIETARY TO MOLEX ELECTRONIC TECHNOLOGIES, LLC AND SHOULD NOT BE USED WITHOUT WRITTEN PERMISSION		
	DIMENSION UNITS	SCALE	CURRENT REV DESC: SEE REV TABLE.
$\nabla_A = 0$	mm	4:1	
$\nabla_C = 0$	GENERAL TOLERANCES (UNLESS SPECIFIED)		
$\nabla_D = 0$	ANGULAR TOL $\pm 1.0^\circ$		
DIVISIONAL SYMBOLS	4 PLACES	\pm	EC NO: 723392
	3 PLACES	\pm	DRWN: VISHNM2 2022/09/27
	2 PLACES	± 0.13	CHK'D: DKUMARG 2022/10/03
	1 PLACE	± 0.25	APPR: SCHIEN 2022/10/12
	0 PLACES	\pm	INITIAL REVISION:
DRAFT WHERE APPLICABLE MUST REMAIN WITHIN DIMENSIONS		THIRD ANGLE PROJECTION	DRAWING
			SERIES
			MATERIAL NUMBER
		D-SIZE	CUSTOMER
		74750	SEE P/N TABLE
			GENERAL MARKET
			SHEET NUMBER
			10 OF 11

