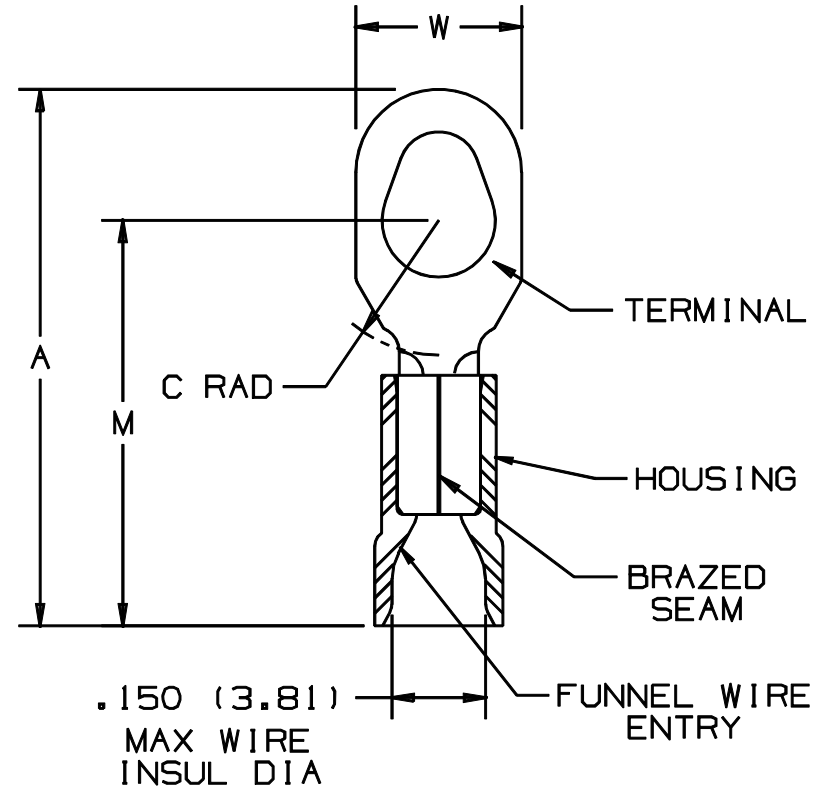


THIS COPY IS PROVIDED ON A RESTRICTED BASIS AND IS NOT TO BE USED IN ANY WAY DETRIMENTAL TO THE INTERESTS OF PANDUIT CORP.

| PANDUIT PART NUMBER |          | STUD SIZE   | DIMENSIONS in.        |                       |                       |                       |
|---------------------|----------|-------------|-----------------------|-----------------------|-----------------------|-----------------------|
| PREFIX              | PK       |             | A $\pm .020$<br>(.51) | W $\pm .010$<br>(.25) | C $\pm .015$<br>(.38) | M $\pm .020$<br>(.51) |
| PV18-610R           | -C<br>-M | #6, #8, #10 | 1.00<br>(25.4)        | .31<br>(7.9)          | .25<br>(6.3)          | .75<br>(19.0)         |



NOTES:

- UL LISTED AND CSA CERTIFIED FOR:
  - 600 V MAX VOLTAGE RATING
  - 221°F (105°C) MAX TEMP RATING
  - 167°F (75°C) MAX TEMP RATING WITH CT-100 TOOL
  - #22-18 AWG SOLID OR STRANDED, COPPER WIRE
- PACKAGE QUANTITY:
  - STD: C=100
  - BULK: M=1000
- MATERIAL:
  - STAMPING: .032 (.81) THK COPPER, TIN PLATED
  - HOUSING: RED VINYL
- WIRE STRIP LENGTH:  $5/16 \begin{smallmatrix} +1/32 \\ -0 \end{smallmatrix}$  (7.9  $\begin{smallmatrix} +.8 \\ -0 \end{smallmatrix}$ )
- DIMENSIONS IN BRACKETS ARE IN MILLIMETERS
- INSTALLATION TOOLS:
  - UL LISTED AND CSA CERTIFIED WITH: CT-100, CT-500\*, CT-550\*, CT-1551\*, CT-1550\*
  - PANDUIT APPROVED: CT-160, CT-260, CT-400  
\* APPROVED FOR EXPANDED WIRE RANGE #22-16 AWG



LISTED  
587H



CERTIFIED

A41486\_03

|     |      |     |     |                                |       |      |     |  |
|-----|------|-----|-----|--------------------------------|-------|------|-----|--|
| 03  | 1/01 | RM  |     | FILESPEC WAS N41486AA_PCD_02   |       |      |     | <p>TINLEY PARK, ILLINOIS</p> <p>#22-18 BARREL, VINYL INSULATED<br/>MULTI-STUD TERMINAL</p> |
| 02  |      | JKD |     | ADDED CT-1551 & CT-1550 TOOL   | 07634 |      |     |  |
| 01  | 2/92 | BK  | RLS | UPDATED AGENCY APPROVAL STATUS | 00846 | LCA  | KRS |  |
| 00  | 4/91 | DL  | DL  | RELEASED ECN # 00460           |       | LA   | KS  |  |
| REV | DATE | BY  | CHK | DESCRIPTION                    | ECN   | CUST | PM  | DRAWN BY DRL<br>Ck'D FES<br>SCALE NONE<br>DRAWING NO. A41486                               |