

## Data sheet

### E-DAT modul Cat.6<sub>A</sub> K jack - Keystone style

Page 1/9

P/N

130910KI

EAN 4250184181002

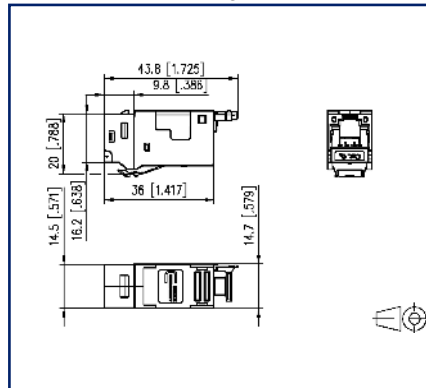
2023/08/08

Version: AV

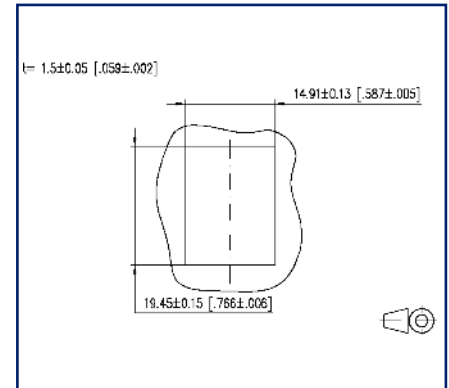
## Illustrations



Dimensional drawing



Cut-out



See enlarged drawings at the end of document

## Product specification

- modular termination unit Cat.6<sub>A</sub>, RJ45
- Cat.6<sub>A</sub> component test according to ISO/IEC 11801, DIN EN 50173-1, ANSI/TIA-568.2-D and IEC 60603-7-51, GHMT certified
- compliance with class E<sub>A</sub> according to ISO/IEC 11801, DIN EN 50173-1
- tested: Link up to 500 MHz
- easy to install connection of 2 to 4 pair data cables
- AWG 26/1 to 22/1 (solid wire) and stranded wires with 7 copper conductors AWG 26/7 to 22/7 to insulation displacement connectors (IDC)
- marking of conductor assignment to T568A and T568B
- easy and fast insertion of wire pairs in E-DAT modul stuffer cap
- module housing made of refined zinc die-casting
- mounting without special tools
- strain relief with cable tie at the module
- mounting version: Keystone
- cable feed 180°
- delivery in a 10-piece set, available separately

### Technical Data

#### General Data

Fields of application	office areas
Mechanical measurement according to MICE	M1
Ingress measurement according to MICE	I1
Climatic measurement according to MICE	C1
Electromagnetic measurement according to MICE	E2
Design	Jack
Shielding	shielded
Transmission technology	Copper
Wiring	T568A, T568B
Color	metallike
Dimensions	
Dimension (L x W x H)	43.85 mm x 14.7 mm x 22.4 mm
Dimension (L x W x H)	1.726 in. x 0.579 in. x 0.882 in.
Weight	41.3 g
Weight	0.0911 lb
Modularity	yes
Field assembly ability	yes

#### Transmission characteristics

Category (ISO)	6 <sub>A</sub>
Class (ISO/IEC)	E <sub>A</sub>
Category (TIA)	6A
Remote Powering	yes
PoE	IEEE 802.3af
PoE plus	IEEE 802.3at
UPoE	yes
4PPoE	IEEE 802.3bt
HDBaseT	yes
Transmission rate up to 10 GBit	IEEE 802.3an

## E-DAT modul Cat.6<sub>A</sub> K jack - Keystone style

P/N

130910KI

EAN 4250184181002

2023/08/08

Version: AV

### Technical Data

Connections/interfaces	
Connector technology interface 1	IDC-connection
Connector technology interface 2	RJ45-jack
Number of ports interface 1	1
Number of ports interface 2	1
Number of equipped ports interface 1	1
Number of ports interface 2 equipped	1
Number of positions/contacts interface 1	8
Number of positions/contacts interface 2	8P/8C
Termination data, solid wire (min. - max.)	
Conductor cross section, solid wire	AWG 26/1 - AWG 22/1
Conductor cross section, solid wire	0.128 mm <sup>2</sup> - 0.324 mm <sup>2</sup>
Conductor diameter, solid wire (bare copper)	0.409 mm - 0.643 mm
Conductor diameter, solid wire (bare copper)	0.016 in. - 0.025 in.
Termination data, stranded wire (min. - max.)	
Conductor cross section, stranded wire	AWG 26/7 - AWG 22/7
Conductor cross section, stranded wire	0.141 mm <sup>2</sup> - 0.355 mm <sup>2</sup>
Conductor diameter, stranded wire (bare copper)	0.483 mm - 0.762 mm
Conductor diameter, stranded wire (bare copper)	0.019 in. - 0.03 in.
Cable sheath diameter (min. - max.)	
Cable sheath diameter	5.5 mm - 10.00
Cable sheath diameter	0.197 in. - 0.394
Cable access/outlet	180°
Shield connection	flexible contact spring

### Electrical characteristics

Current carrying capacity	max. 1 A
Rated voltage	max. 50 V
Contact resistance	max. 20 mOhm
Through resistance	max. 200 mOhm
Insulation resistance	min. 500 MOhm
Dielectric strength conductor-conductor (secondary)	min. 1000 V DC

# P | Cabling

Data sheet

Page 4/9

## E-DAT modul Cat.6<sub>A</sub> K jack - Keystone style

P/N

130910KI

EAN 4250184181002

2023/08/08

Version: AV

### Technical Data

#### Mechanical data

Cut-out	Keystone
Mounting method	snap-in function
Insertion and withdrawal force	max. 20 N
Position/mounting of latch standard installation position	top
strain relief	with cable tie, attached to module

#### Materials and material properties

Material - Housing	GD-Zn (zinc die-cast)
Material - Contact	Spring steel
Material - Contact finish	Ni + Au (nickel-gold)
Material - Contact carriers	PA 6.6
Halogen free	yes
Material - Finish	Ni (nickel)
RoHS	compliant

#### Environmental conditions

Temperature (min. - max.)	
Temperature - Storage °C	-40 °C - 70 °C
Temperature - Storage °F	-40 °F - 158 °F
Temperature - Operating °C	-40 °C - 70 °C
Temperature - Operating °F	-40 °F - 158 °F

#### Certifications

GHMT Type Approval



Component

## E-DAT modul Cat.6<sub>A</sub> K jack - Keystone style

P/N

130910KI

EAN 4250184181002

2023/08/08

Version: AV

### Technical Data

Standards/Regulations	
Generic cabling systems	
General requirements	ANSI/TIA-568-C.2
Office buildings	ISO/IEC 11801 Ed.2.2: 2011-06   DIN EN 50173-2 ANSI/TIA-568-C
Living units	ISO/IEC 15018   DIN EN 50173-4 ANSI/TIA-570-B
Connectors for electronic equipment	
Free and fixed connectors	DIN EN 60603-7-51:2011-01
Connectors for electronic equipment - Tests and measurements	
Test standard for connectors (engaging and separating connectors under electrical load)	DIN-EN 60512-99-001, Pg. UEL1
Endurance tests	IEC 60512-9-3: 03-2009
Interference proof	
Immunity for residential, commercial and light-industrial environments	DIN EN 61000-6-1:2007-10
Immunity for industrial environments	DIN EN 61000-6-2:2006-03
Emission proof	
Electromagnetic emission for residential, commercial and light-industrial environments	DIN EN 61000-6-3:2011-09

Classifications	
ETIM 5.0	EC001121
ETIM 6.0	EC001121
ETIM 7.0	EC001121
ETIM 8.0	EC001121
ETIM 9.0	EC001121

Packing details	
Type of packaging	10 pc(s) / box
Packaging unit - Weight (gram)	413 g
Packaging unit - Weight (pound)	0.91 lb
Packaging dimension	258 mm x 164 mm x 51 mm
Packaging dimension	10.157 in. x 6.457 in. x 2.008 in.

## Accessories

P/N	Designation
820032-0102-I	Dust protection cover for C6 <sub>A</sub> modul pure white
820032-0103-I	Dust protection cover for C6 <sub>A</sub> modul light gray
820032-0105-I	Dust protection cover for C6 <sub>A</sub> modul yellow
820032-0106-I	Dust protection cover for C6 <sub>A</sub> modul blue
820032-0107-I	Dust protection cover for C6 <sub>A</sub> modul green
820032-0108-I	Dust protection cover for C6 <sub>A</sub> modul red
820032-0129-H	Dust protection cover for C6 <sub>A</sub> modul black, (250 pcs)
820032-0129-I	Dust protection cover for C6 <sub>A</sub> modul black

### Accessories from

P/N	Designation
130861-0202KE	Keystone surface mount housing 2 port pure white, unequipped
130861-0302KE	Keystone surface mount housing 3 port pure white, unequipped
130861-0402KE	Keystone surface mount housing 4 port pure white, unequipped
130861-0602KE	Keystone surface mount housing 6 port pure white, unequipped
130861-0802KE	Keystone surface mount housing 8 port pure white, unequipped
130861-0802KE85	AP Patchfeld unbestückt für 8xRJ45 RAL 9010 Keystone AP-Geh 8 Port ZATEC
130861-1202KE	Keystone surface mount housing 12 port pure white, unequipped
130861-1602KE	Keystone surface mount housing 16 port pure white, unequipped
130861-2402KE	Keystone surface mount housing 2x12 port pure white, unequipped
130910D1APLKE	Extension box 1 Port E-DAT Modul Keystone
130910D2APLKE	Extension box 2 port E-DAT modul Keystone
130920-00KE	Keystone 19 inch module frame 1RU 24 port light gray unequipped, shielded
130920-BKKE	Keystone 19 inch module frame 1RU 24 port black unequipped, shielded
130925-BKKE	Keystone 19 inch module frame 0.5RU 24 port black unequipped
130925-GRKE	Keystone 19 inch module frame 0.5RU 24 port gray unequipped
130926-0003KE	Keystone 19 inch module frame 1RU 24 port grey unequipped, shielded
130926-0029KE	Keystone 19 inch module frame 1RU 24 port black unequipped, shielded
130926A0003KE	Keystone 19 inch module frame 1RU 24 port angeled grey unequipped, shielded
130926A0029KE	Keystone 19 inch module frame 1RU 24 port angeled black unequipped, shielded
130926AA029KE	Keystone 19 inch module frame 1RU 24 ports 133° angled, black, unequipped, shielded
130927-1200KE	SmartConnect Patchpanel 12 port Keystone, unequipped
1309413103-E	E-DAT Industry IP67 V6 for keystone
1309413303-E	E-DAT Industry IP67 V6 for keystone with mounting kit
1309428103-E	Keystone REGplus IP20 light gray unequipped
1309460003KI	Keystone IP44SG surface mounted housing unequipped
1309A0D1APLKE	Extension box 1 port E-DAT adapter
1309A0D2APLKE	Extension box 2 port E-DAT adapter
130A21-00-E	Keystone 19 inch module frame 1RU 24 port stainless steel unequipped

# P | Cabling

Data sheet

Page 8/9

## E-DAT modul Cat.6<sub>A</sub> K jack - Keystone style

P/N

130910KI

EAN 4250184181002

2023/08/08

Version: AV

### Accessories from

130A24-00-E	Keystone 19 inch module frame 1.5RU 48 port stainless steel unequipped
130B20E2E-E	Keystone module frame 3RU, 7HP 6 port stainless steel unequipped
130B21D1APL-E	Extension box 1 Port C6 <sub>A</sub> modul Keystone
130B21D2APL-E	Extension box 2 port C6 <sub>A</sub> modul Keystone
130D2CKU4-E	DCCS2 subassembly 4 port unequipped - Keystone
14040000-E	MCO IP69k protective housing for outdoor use, set for exposed installation
14040010-E	MCO IP69k Protective housing for outdoor use, set with mounting bracket
14040100-E	MCO IP69k Protective housing for outdoor use, set wall/ housing bushing





# P | Cabling

Data sheet

Page 9/9

## E-DAT modul Cat.6<sub>A</sub> K jack - Keystone style

P/N  
130910KI

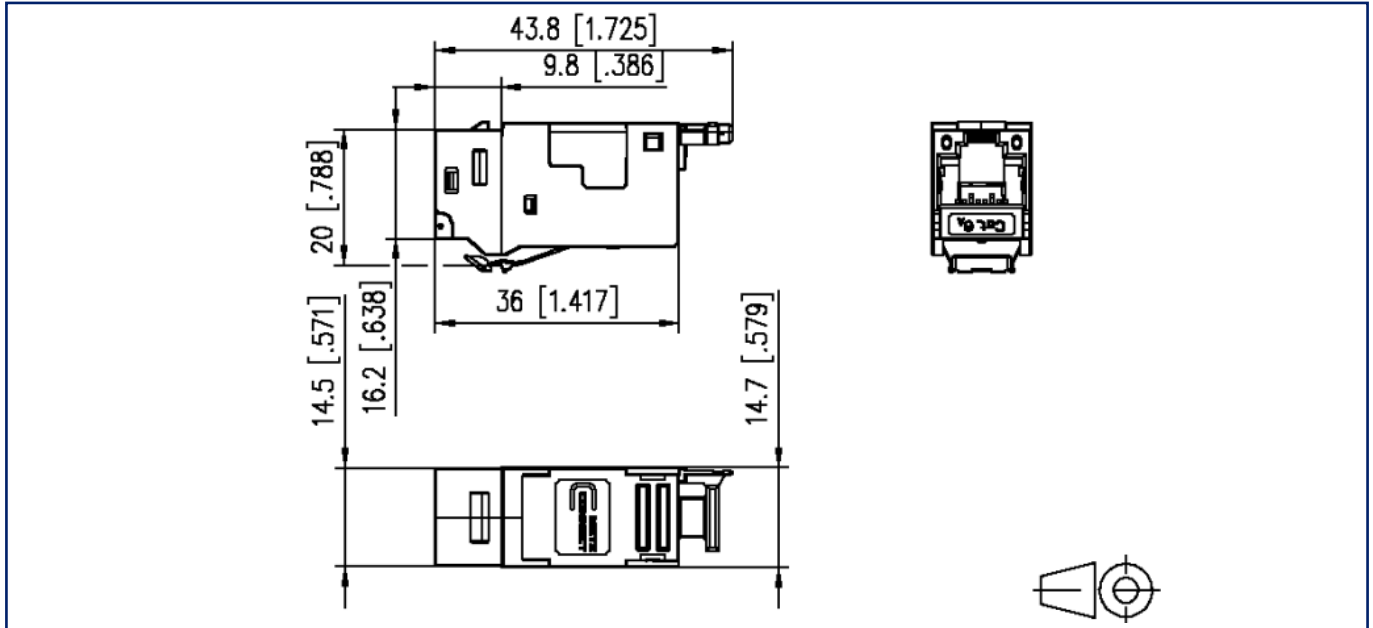
EAN 4250184181002

2023/08/08

Version: AV

### Illustrations

Dimensional drawing



Cut-out

