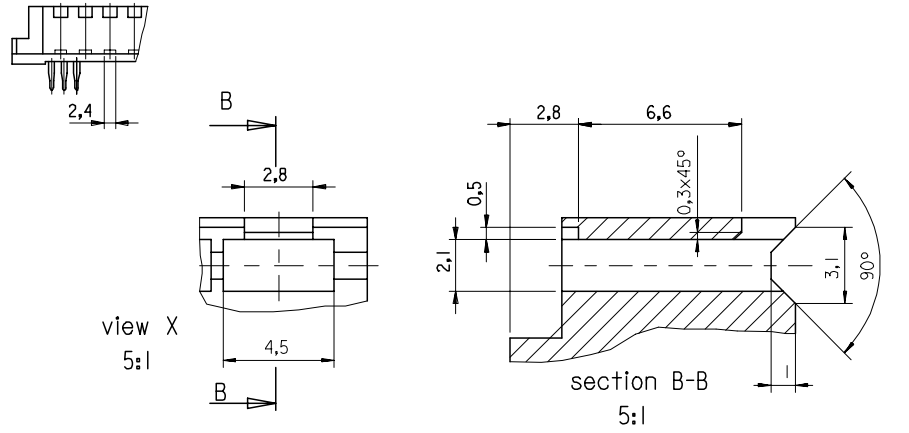
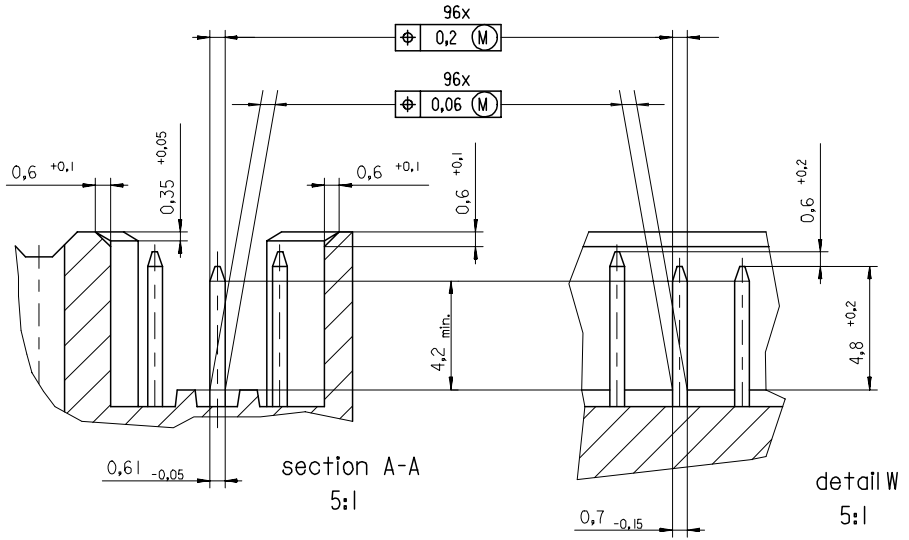
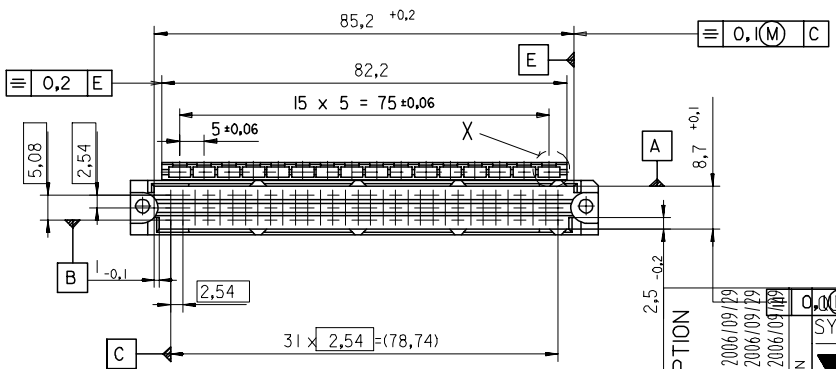
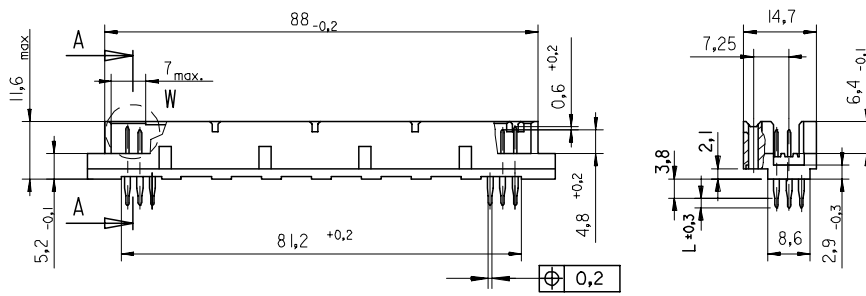
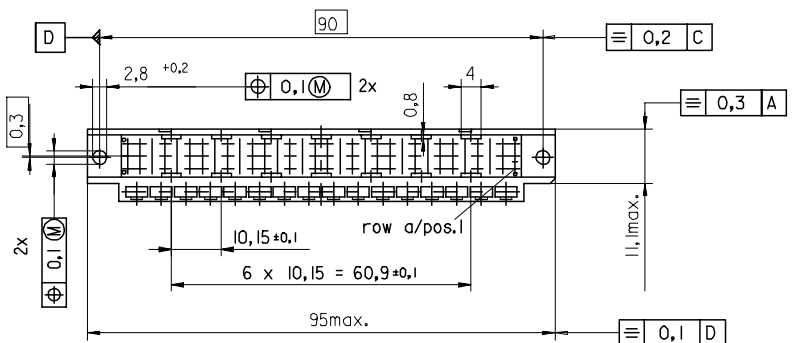


10 9 8 7 6 5 4 3 2 1

F  
E  
D  
C  
B  
A

F  
E  
D  
C  
B  
A



ENTER DESCRIPTION	2006/09/29	0.00 (M) (B)
EC NO: I2007-0159	2006/09/29	SYMBOLS
DRWN: SURENGG	2006/09/29	▽=0
CHKD: SSUDHIR	2006/09/29	∇=0
APPR: SSUDHIR	2006/09/29	
REV	DESCRIPTION	
A2		

GENERAL TOLERANCES (UNLESS SPECIFIED)	
mm	INCH
4 PLACES ±---	±---
3 PLACES ±---	±---
2 PLACES ±---	±---
1 PLACE ±---	±---
ANGULAR ±---°	
DRAFT WHERE APPLICABLE MUST REMAIN WITHIN DIMENSIONS	

DIMENSION STYLE	
MM ONLY	
DRAWN BY	DATE
CHECKED BY	DATE
APPROVED BY	DATE
MATERIAL NO.	
SEE CHART	

SCALE	DESIGN UNITS	THIRD ANGLE PROJECTION
---	METRIC	
96 POS.MALE CONNECTOR DIN 41612 STYLE RIC-PIN BERG-COD./PRE-MATING CKT		
MOLEX INCORPORATED		
DOCUMENT NO.	SHEET NO.	
601-6043-202	1 OF 3	
THIS DRAWING CONTAINS INFORMATION THAT IS PROPRIETARY TO MOLEX INCORPORATED AND SHOULD NOT BE USED WITHOUT WRITTEN PERMISSION		

9 8 7 6 5 4 3 2 1

F

E

D

C

B

A

96P-6043-072U-7-BE113	85013-2995	yes	2/flash	Wire wrap	13,3	1,2,3...32	a+b+c	a/b/c2	ACTIVE
96P-6043-072U-6-B	85013-2971	yes	2/flash	Wire wrap	16,4	1,2,3...32	a+b+c	-----	ACTIVE
96P-6043-072U-7-BE61	85013-2969	yes	2/flash	Wire wrap	13,3	1,2,3...32	a+b+c	a/c1+32, b1+3+30+32	ACTIVE
96P-6043-072U-7-B	85013-2957	yes	2/flash	Wire wrap	13,3	1,2,3...32	a+b+c	-----	ACTIVE
96P-6043-072V-9-BE113	85013-2828	no	2	-----	2	1,2,3...32	a+b+c	a/b/c2	ACTIVE
96P-6043-072M-8-B	85013-2610	yes	2/2	Wire wrap	9,4	1,2,3...32	a+b+c	-----	VOID
96P-6043-0732-7-BE113	85013-1926	no	2/flash	Wire wrap	13,3	1,2,3...32	a+b+c	a/b/c2	ACTIVE
96P-6043-072V-9-B	85013-1457	yes	2	-----	2	1,2,3...32	a+b+c	-----	ACTIVE
96P-6043-0732-7-BE61	85013-0866	no	2/flash	Wire wrap	13,3	1,2,3...32	a+b+c	a/c1+32, b1+3+30+32	ACTIVE
96P-6043-0732-7-B	85013-0842	no	2/flash	Wire wrap	13,3	1,2,3...32	a+b+c	-----	ACTIVE
96P-6043-0732-6-B	85013-0830	no	2/flash	Wire wrap	16,4	1,2,3...32	a+b+c	-----	ACTIVE
96P-6043-072V-8-B	85013-0775	yes	2	Wire wrap	9,4	1,2,3...32	a+b+c	-----	ACTIVE
Engineering number	Ordering code	Molex std.	Perf.level hard gold acc. MIL-G45204	Termination	Contact sequence/row	Position of pre-mating contacts	PART STATUS		

RoHS COMPLIANT

<b>ENTER DESCRIPTION</b> EC NO: I2007-0159 DRWN: SURENGG 2006/09/29 CHKD: SSUDHIR 2006/09/29 APPR: SSUDHIR 2006/09/29	<b>QUALITY SYMBOLS</b> ▽=0 ◻=0	GENERAL TOLERANCES (UNLESS SPECIFIED)		DIMENSION STYLE MM ONLY		SCALE ---	DESIGN UNITS METRIC	THIRD ANGLE PROJECTION			
		4 PLACES ± --- ± ---	3 PLACES ± --- ± ---	2 PLACES ± --- ± ---	1 PLACE ± --- ± ---	ANGULAR ± ---°	DRAWN BY CA	DATE	TITLE 96 POS.MALE CONNECTOR ACC. TO DIN41612 C-PIN STYLE R		
		DRAFT WHERE APPLICABLE MUST REMAIN WITHIN DIMENSIONS					CHECKED BY KN	DATE	MOLEX INCORPORATED		
		SEE CHART					APPROVED BY	DATE	MATERIAL NO.	DOCUMENT NO. 601-6043-202	SHEET NO. 2 OF 3

- 1. General : Technical Data  
96 pos. Male connector acc. DIN 41612 style R (C-Pin)  
with Berg coding device and extended pins
- 2. Material :
- 2.1 Molding material : Thermoplastic Polyester GV30 grey RAL 7032
- 2.1.1 Molding material :  
burning properties acc. to UL94 V0
- 2.1.2 Resistance against :  
solvents : good
- 2.2 Pin contact : CuSn
- 2.2.1 Contact plating : Performance level I or II (Test acc. DIN 41612 part 5)
- 3. Printing : Part.No., date of manufacturing

ENTER DESCRIPTION EC NO: I2007-0159 DRWN: SURENGG 2006/09/29 CHKD: SSUDHIR 2006/09/29 APPR: SSUDHIR 2006/09/29	QUALITY SYMBOLS = 0 = 0	GENERAL TOLERANCES (UNLESS SPECIFIED)		DIMENSION STYLE MM ONLY		SCALE ---	DESIGN UNITS METRIC	THIRD ANGLE PROJECTION		
						DRAWN BY CA	DATE	TITLE 96 POS.MALE CONNECTOR ACC_DIN41612 R(C-PIN) DATA		
						CHECKED BY KN	DATE			
						APPROVED BY		DATE	MOLEX INCORPORATED 	
				MATERIAL NO.		DOCUMENT NO.		SHEET NO.		
		DRAFT WHERE APPLICABLE MUST REMAIN WITHIN DIMENSIONS		SEE CHART		601-6043-202		3 OF 3		
A2		REV		SIZE A3		THIS DRAWING CONTAINS INFORMATION THAT IS PROPRIETARY TO MOLEX INCORPORATED AND SHOULD NOT BE USED WITHOUT WRITTEN PERMISSION				