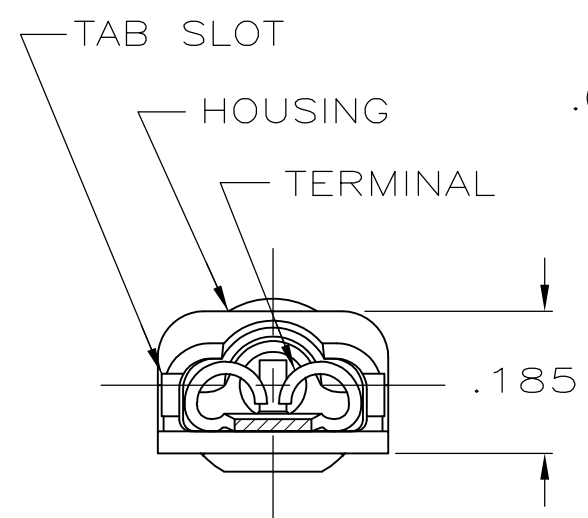
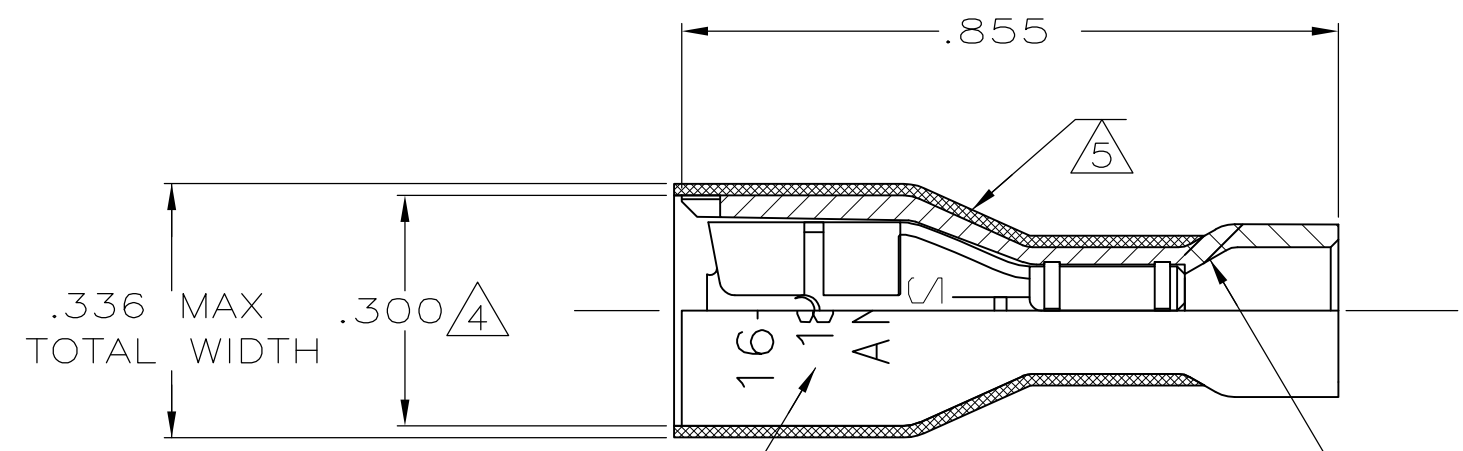


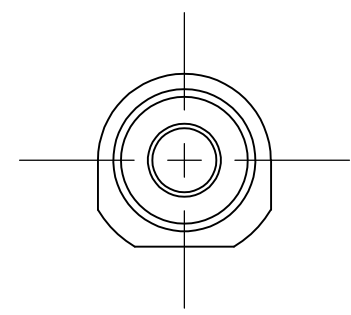
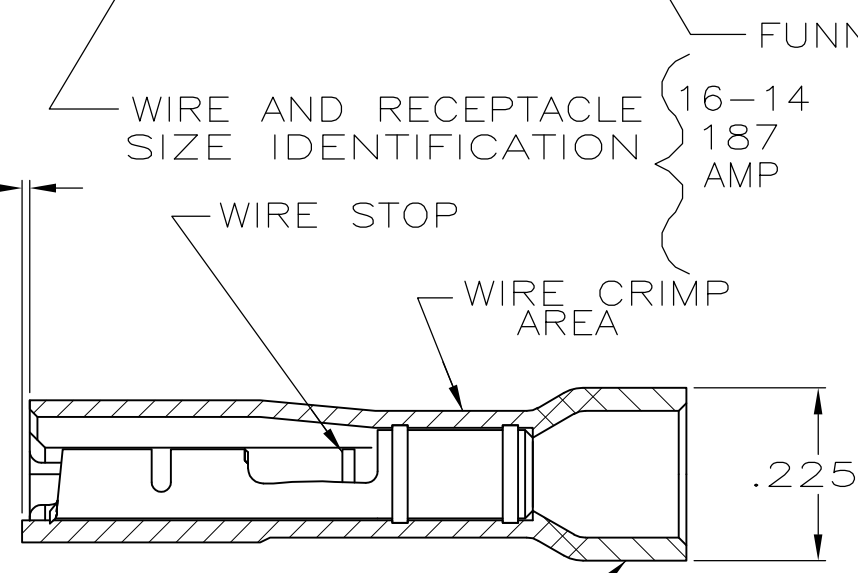
THIS DRAWING IS UNPUBLISHED. RELEASED FOR PUBLICATION  
 © COPYRIGHT - By - ALL RIGHTS RESERVED.

LOC	DIST	REVISIONS			
P	LTR	DESCRIPTION	DATE	DWN	APVD
AF	50				
	K	REVISED PER ECR-13-004343	30JUL13	KH	KR

- 1 MATES WITH .020±.001x.187 TAB
- 2 WIRE STRIP LENGTH .281
- 3 INSULATION SIZE .090-.160 DIA
- △4 DIMENSION DOES NOT INCLUDE TRIM BURR
- △5 .015 MAX CARRIER TRIM BURR PER SIDE IS ALLOWABLE IN THE SHADED AREA



.010 MAX CUT-OFF TAB



HOUSING: NYLON, COLOR-BLUE TRANSLUCENT RECEPTACLE: BRASS TIN	3-520410-2
MATERIAL & FINISH	PART NO

THIS DRAWING IS A CONTROLLED DOCUMENT.		DWN P FORTNEY 11/1/88	TE Connectivity RECEPTACLE ASSY, ULTRA-FAST PLUS, LOOSE PIECE .187 SERIES, 16-14 AWG					
DIMENSIONS: INCHES		CHK MS FEHER 11/14/88						
TOLERANCES UNLESS OTHERWISE SPECIFIED:		APVD K RANDOLPH 11/14/88						
0 PLC ± - 1 PLC ± - 2 PLC ± - 3 PLC ± .015 4 PLC ± - ANGLES ± -		NAME						
MATERIAL SEE TABLE		FINISH SEE TABLE	PRODUCT SPEC 108-2044	SIZE	CAGE CODE	DRAWING NO	RESTRICTED TO	
			APPLICATION SPEC 114-2123	A3	00779	C-520410	-	
			WEIGHT -	CUSTOMER DRAWING		SCALE 4:1	SHEET 1 OF 1	REV K