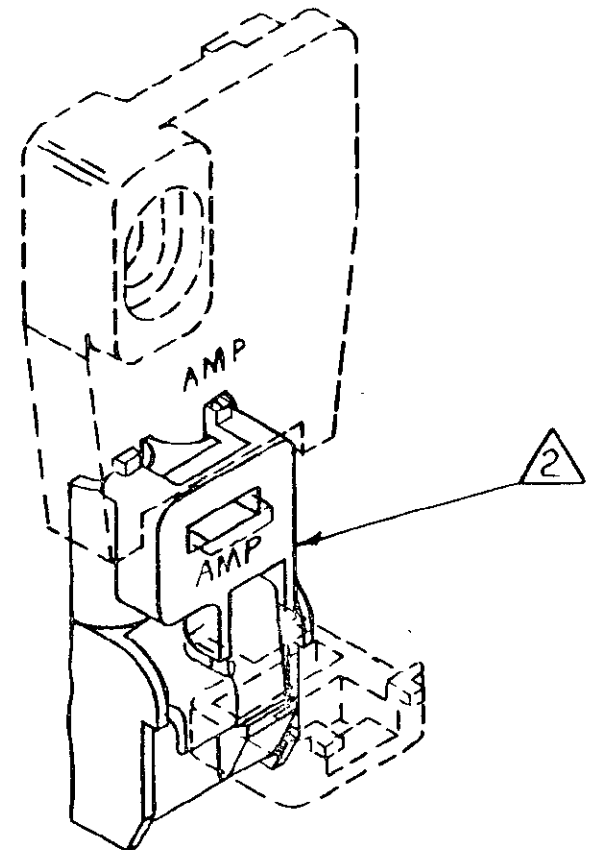
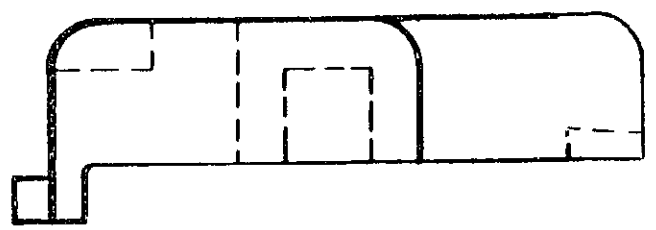
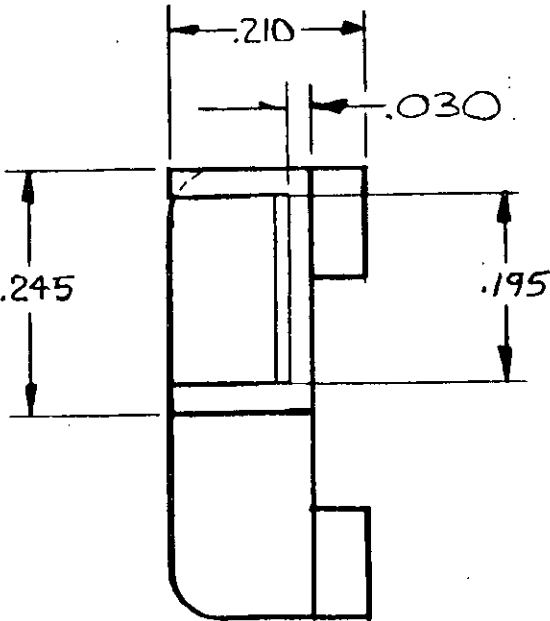
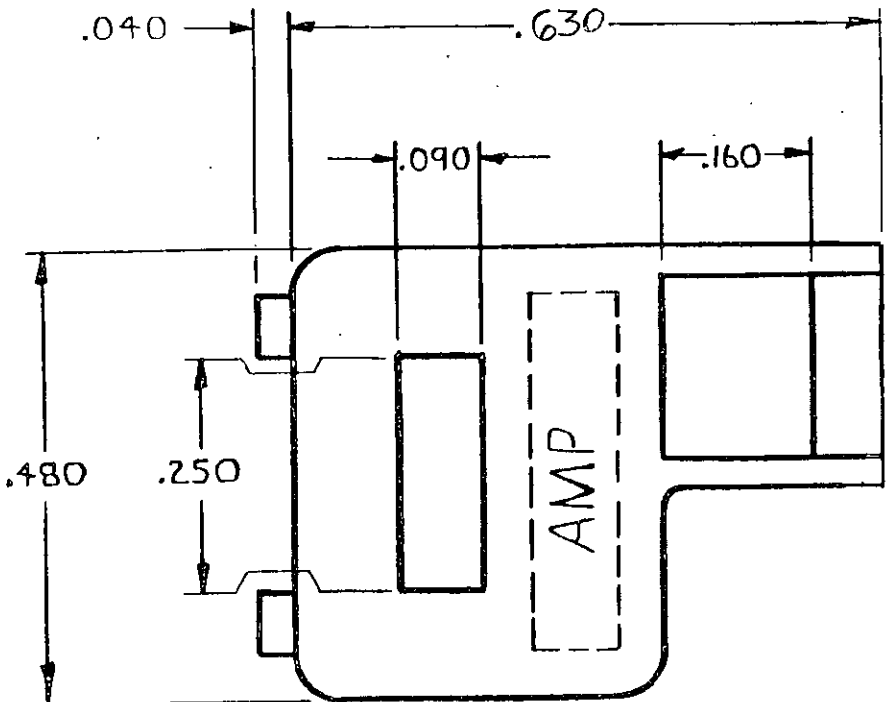


DRAWING MADE IN THIRD ANGLE PROJECTION

THIS DRAWING IS UNPUBLISHED. RELEASED FOR PUBLICATION. 19
 © COPYRIGHT 19 BY AMP INCORPORATED, HARRISBURG, PA. ALL INTERNATIONAL RIGHTS RESERVED. AMP PRODUCTS MAY BE COVERED BY U.S. AND FOREIGN PATENTS AND/OR PATENTS PENDING.

REVISIONS						
P	F	ZONE	LTR	DESCRIPTION	DATE	APPROVED
			O	RELEASE DRAWING PER M-6873	2-8-82	MSF/SH
			A	.630 WAS .605 .025 WAS .045 M-730A	3/15/83	DAS/SH
			B	.030 WAS .025 PER M-7358	5/19/83	TW/SH
			B1	RESTORATION	8-3-85	SS/SH
			C	REV PER EC 0730-0201-94	4-26-95	JH RS



1 FOR USE WITH 2 AND 6 CIRCUIT CAP HOUSINGS AND APPROPRIATE STRAIN RELIEF (ENCLOSED VERSION).
 2 ADAPTER ATTACHES TO CAP HOUSING AS SHOWN PROVIDING FEATURE TO ATTACH STRAIN RELIEF.

BRICK RED OR WHITE	NYLON 94V-0	643182-2
NATURAL	NYLON 94V-2	643182-1
COLOR	MATERIAL	PART NO

UNLESS OTHERWISE SPECIFIED DIMENSIONS ARE IN INCHES. TOLERANCES ON: DECIMALS ± .015 ANGLES ±	CONTRACT NO		AMP AMP INCORPORATED Harrisburg, Pa. 17105		
	DR m. Fehen 3-3-82				
MATERIAL SEE TABLE	CHK D.S. Heide 3/21/82		NAME ADAPTER, STRAIN RELIEF, UNIVERSAL MATE-N-LOK (FOR CAP HOUSING)		
	APPD [Signature]				
COLOR SEE TABLE	DSGN APPD		SIZE C	FSCM NO 00779	DRAWING NO 643182
	OTHER APPD		SCALE 5-1	SHEET	