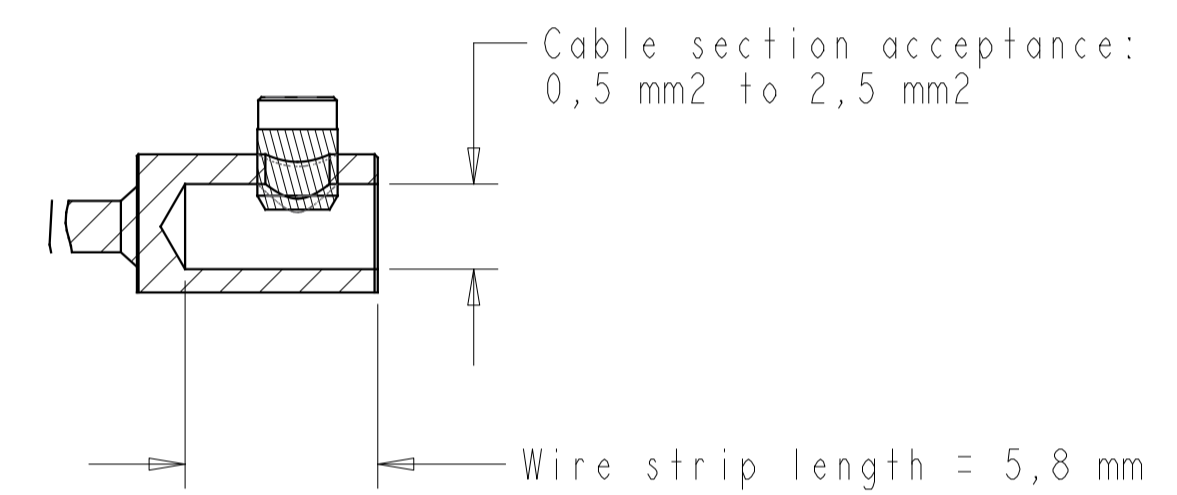


MATERIAL :
 Coupling Nut: polyamid UL94 V-0
 Insert: polyamid UL94 V0
 Backshell body : polyamid UL94 V-0
 Backshell nut: polyamid UL94 V-0
 Shell : polyamid UL94 V-0
 Coupling spring (without suffix) : stainless steel
 Mating seal (suffix 53 to replace coupling spring) : silicon
 O'seal : nitril
 Backshell seal /reducing seal : neoprene
 Contact spring: copper alloy
 Contact body: brass, gold and nickel plated
 Screw: stainless steel

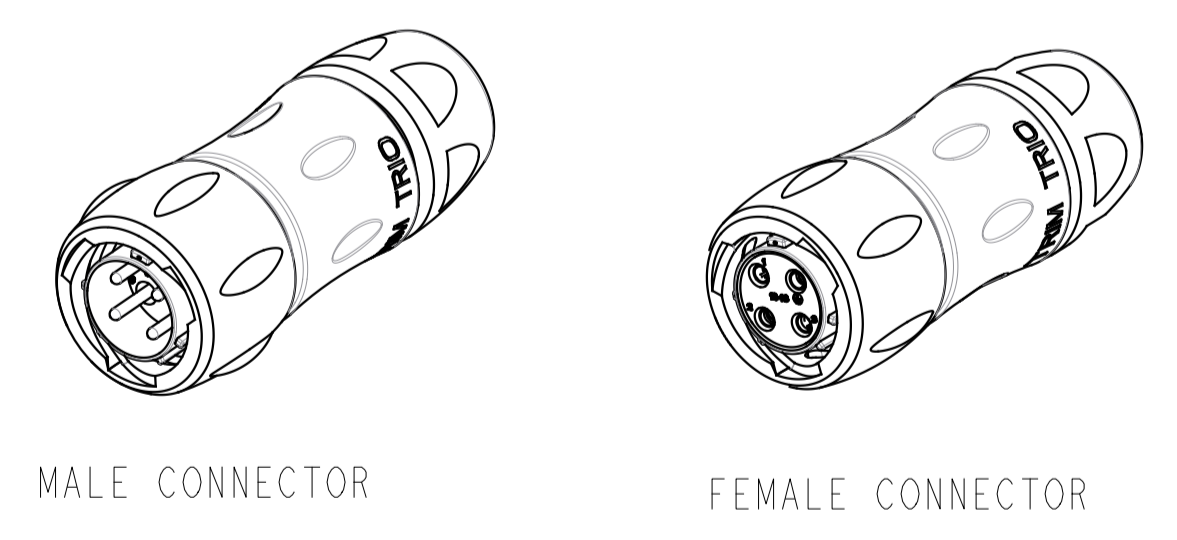
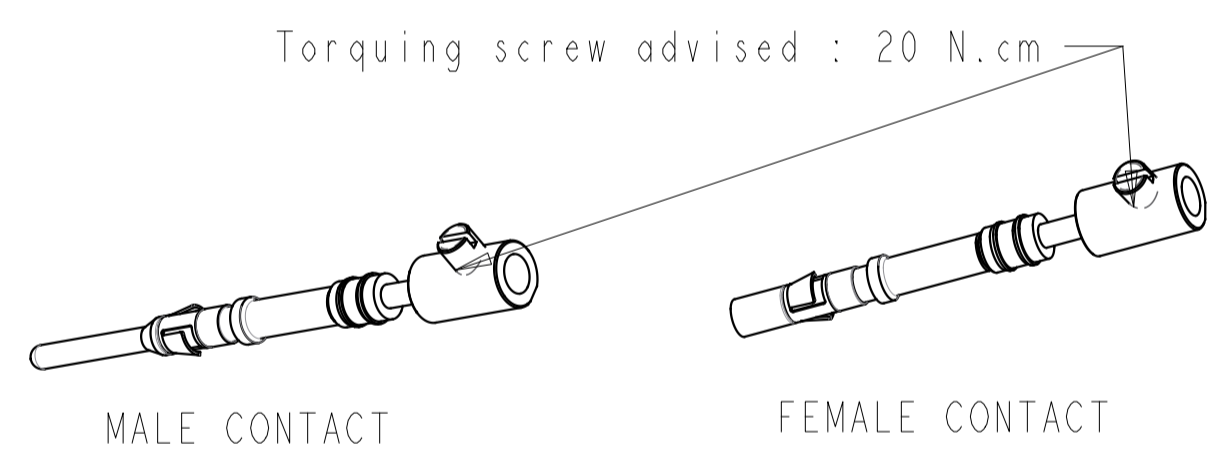
PERFORMANCE CHARACTERISTICS :
 Operating temperature: -40°C up to 105°C
 Insulation resistance: 5000 MΩ.min
 Contact resistance : < 3 mΩ
 Test potential: 2000 Vrms for #16 layout
 Corrosion salt spray: 500 hours
 Durability: 250 matings and unmatings
 Sealing in mated conditions:
 -IP68 1 bar during 1 week : immersion under 10 m of water.
 (IEC 60529)
 -IP69K : exposure to high pressure water of cleaning equipment (DIN 40050)

NOTES :
 -1-Contact to be ordered separately : refer to TRIMTRIO catalog
 -2-Colored ring to be order separately refer to customer drawing C006-UTS1-A
 -3-Insert arrangements : refer to : C008-UTS1-A (female insulator)
 C007-UTS1-A (male insulator)
 -4-Ground contact is first mate last break contact

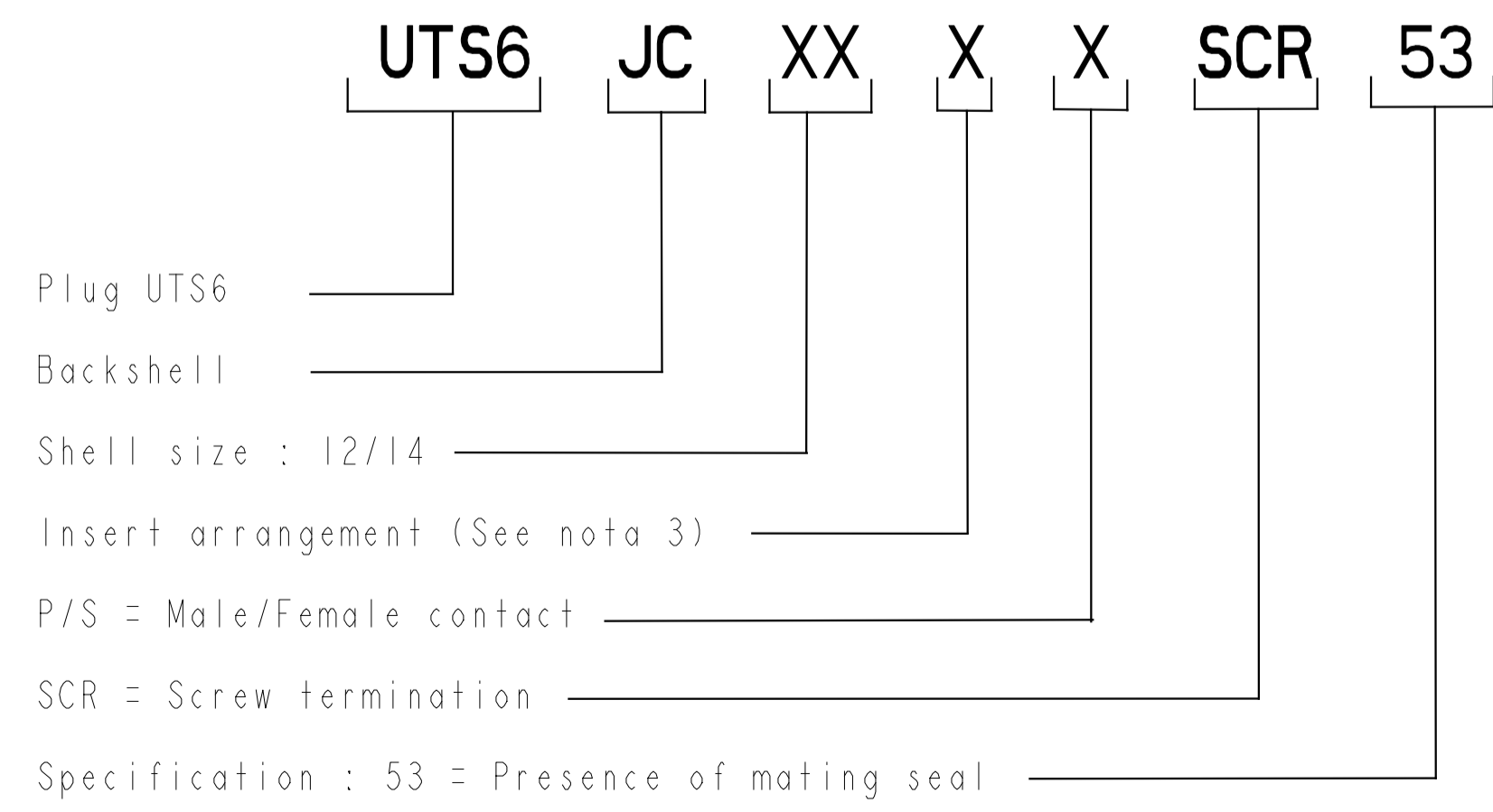
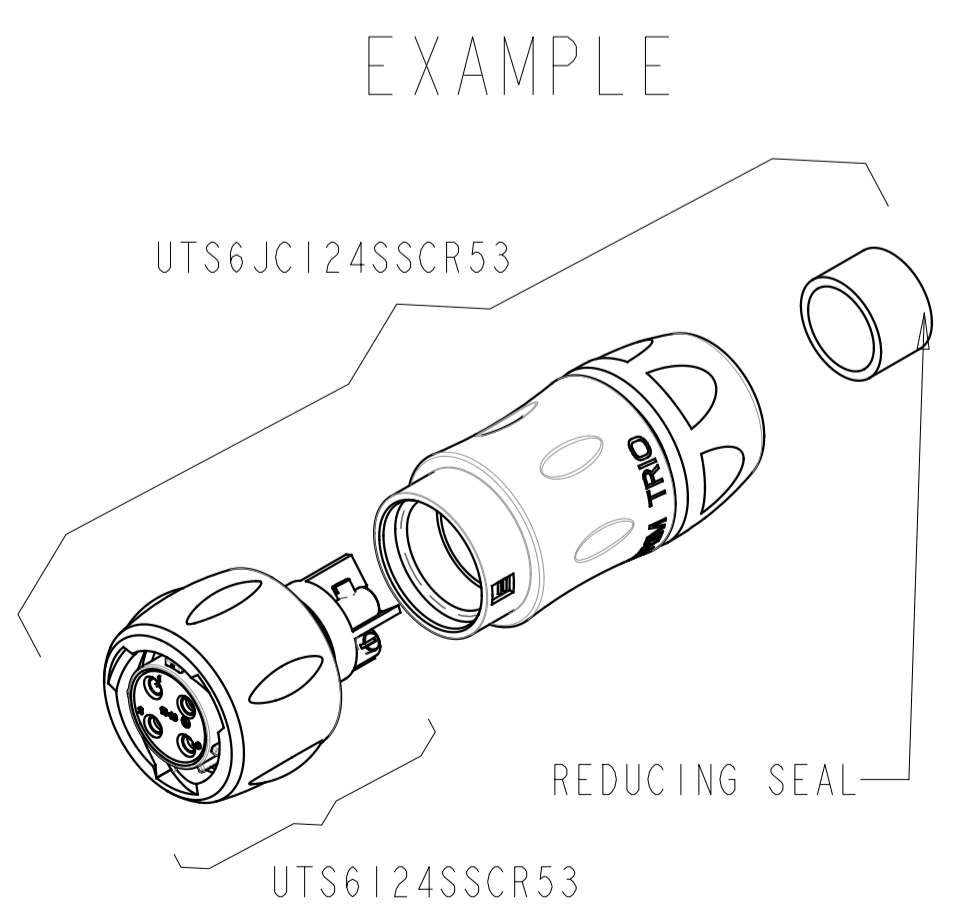
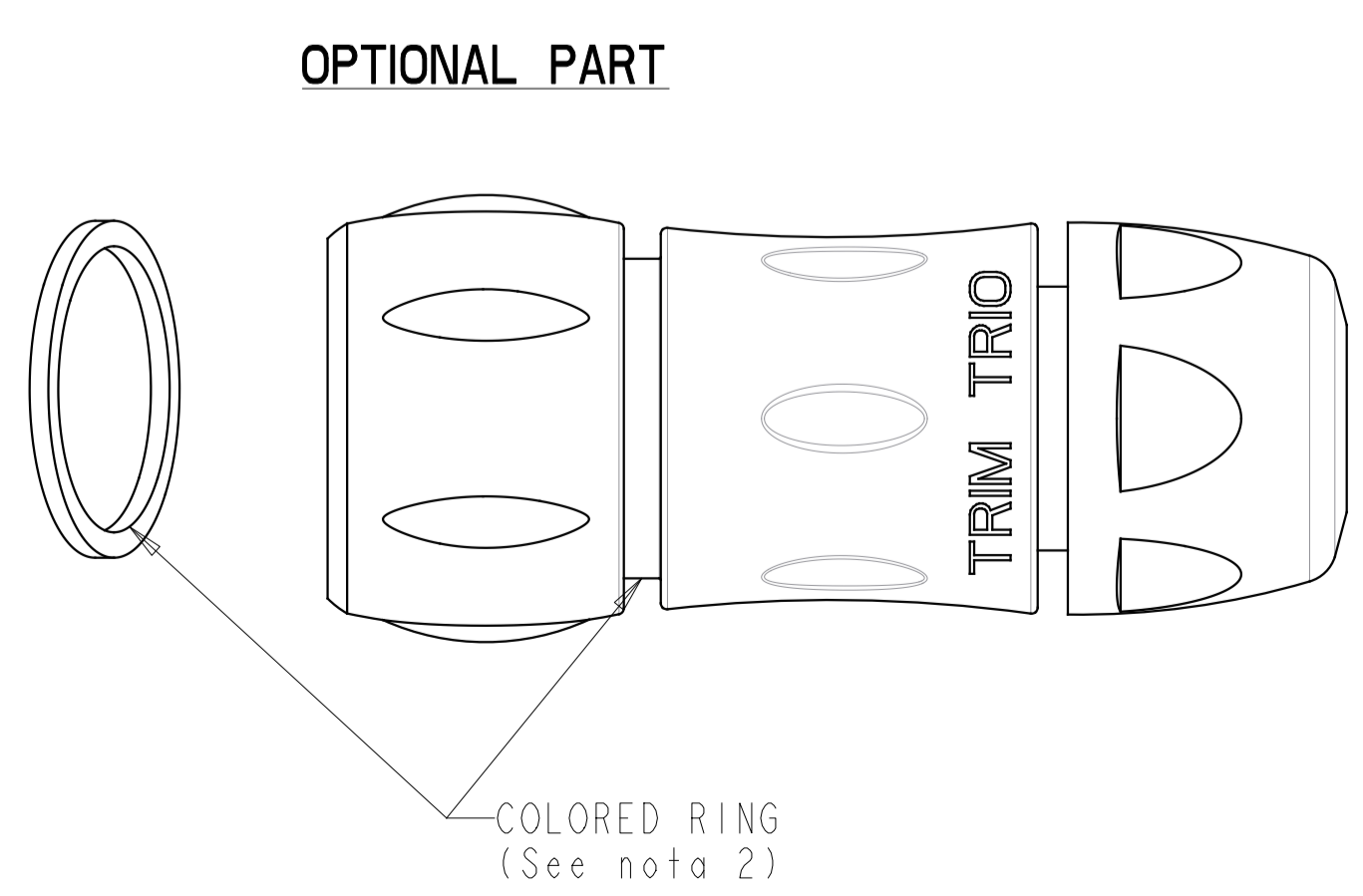
DETAIL CONTACT



REF	Ø A MAX	B MINI	X (FOR INFORMATION)		CAPACITY C		HEXAGON D	E MAX	
			FEMALE	MALE	STANDARD	REDUCING SEAL		FEMALE	MALE
UTS6JC124 (P/S) SCR (53)	30.1	66.7			5/12	3/9	24	22.8 MAX.	15.1 MAX.
UTS6JC147 (P/S) SCR (53)	35.1	71.5			7/14	5/12	26	26.7 MAX.	18.95 MAX.
UTS6124 (P/S) SCR (53)	30.1		36.5	44.5					
UTS6147 (P/S) SCR (53)	35.1		42.75	50					



P/N : SEE TABLE



F	11/02/2020	Adding specification 53	25689
ISS	DATE	Latest modification - by: J.HOMBOURGER	MOD N°
Designed by:	V CHANTEAU	Date: 28/02/07	CUSTOMER DRAWING
TITLE	PLUG WITH SCREW CONTACTS UTS CONNECTOR		
Scale	2.832	Dimensions in mm General Linear Tolerances: ± 0.2	NPRDS / PROJECT BE200615A
SOURIAU Connection Technologies		www.souriau.com	This document is the property of SOURIAU It must not be reproduced or communicated without permission
FORMAT	A1	SOURIAU DRG N° C016-UTS1-A	SHEET 1 / 1

SOURIAU shall not be liable for any non-conformity or damage due to a use of the Products which does not comply with the Specifications issued by either of the Parties or by a third party (professional recommendation, technical notice.)