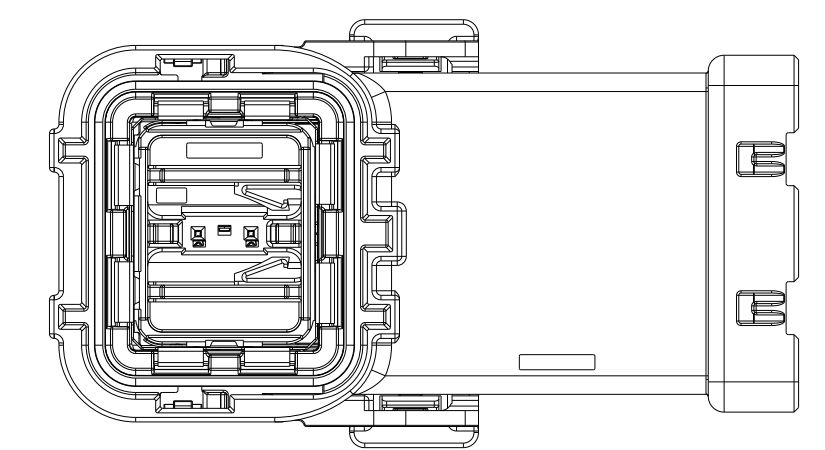
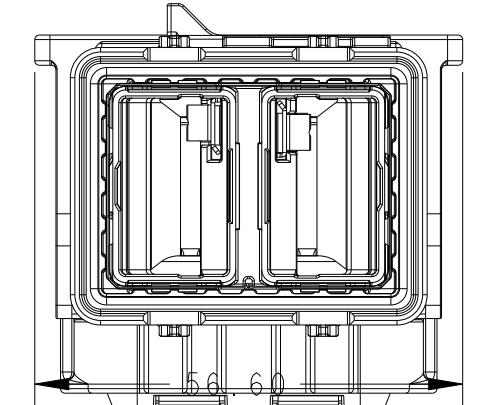
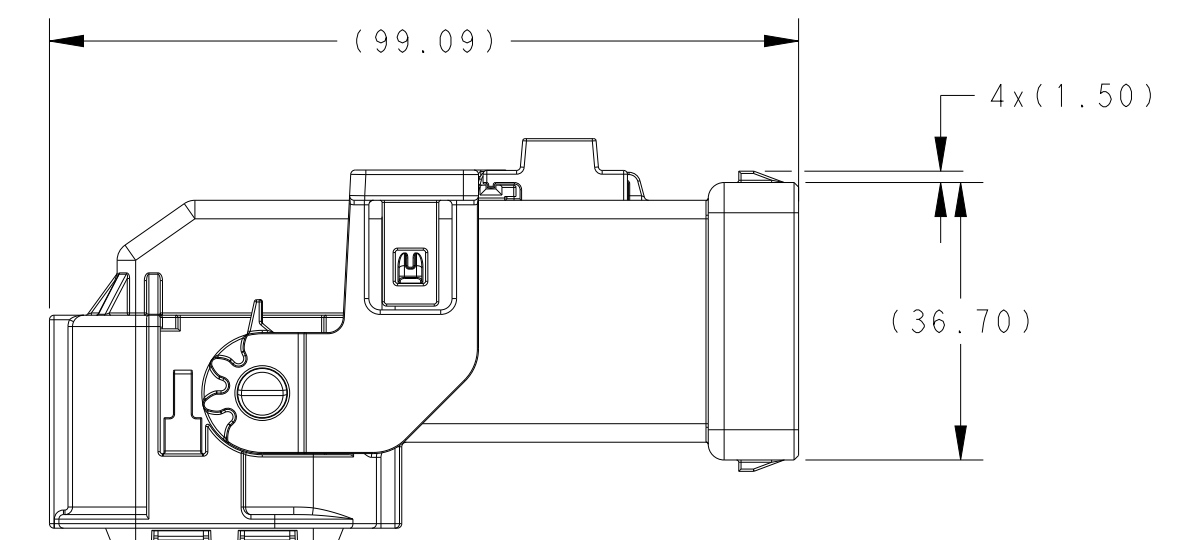
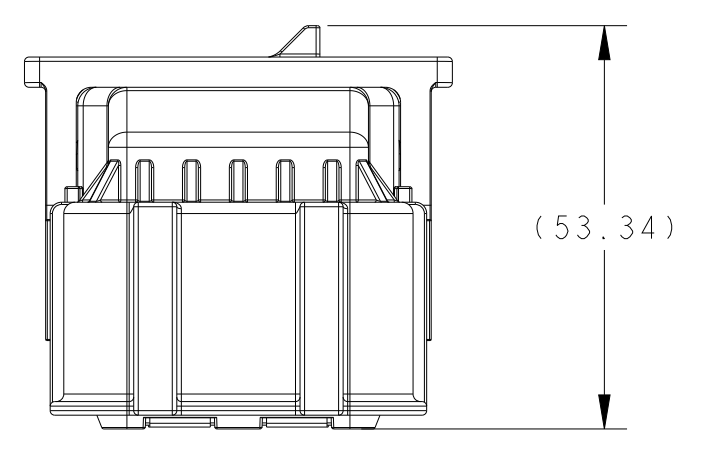
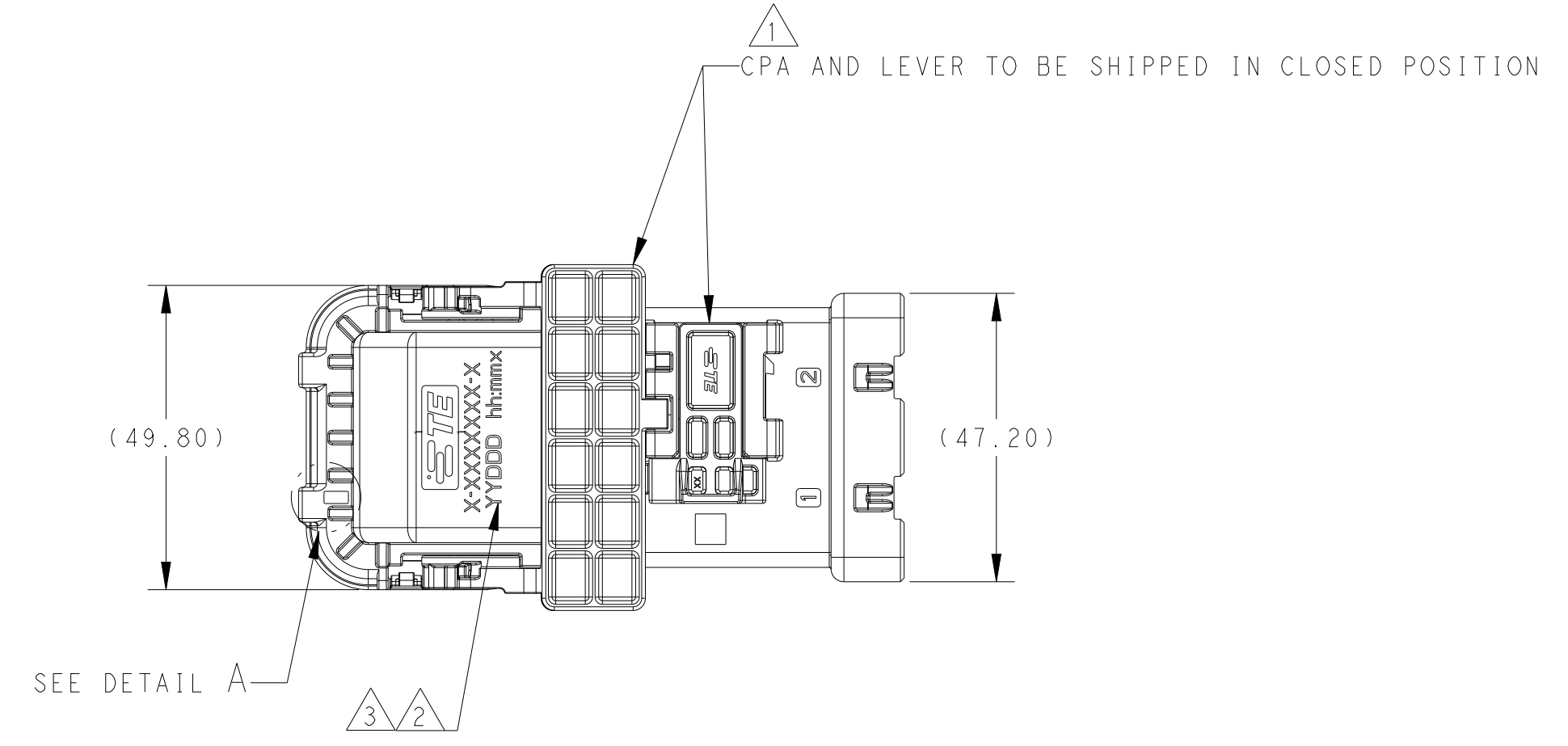
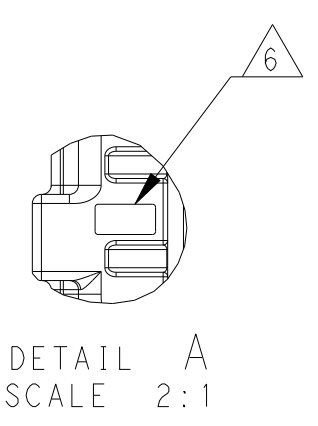
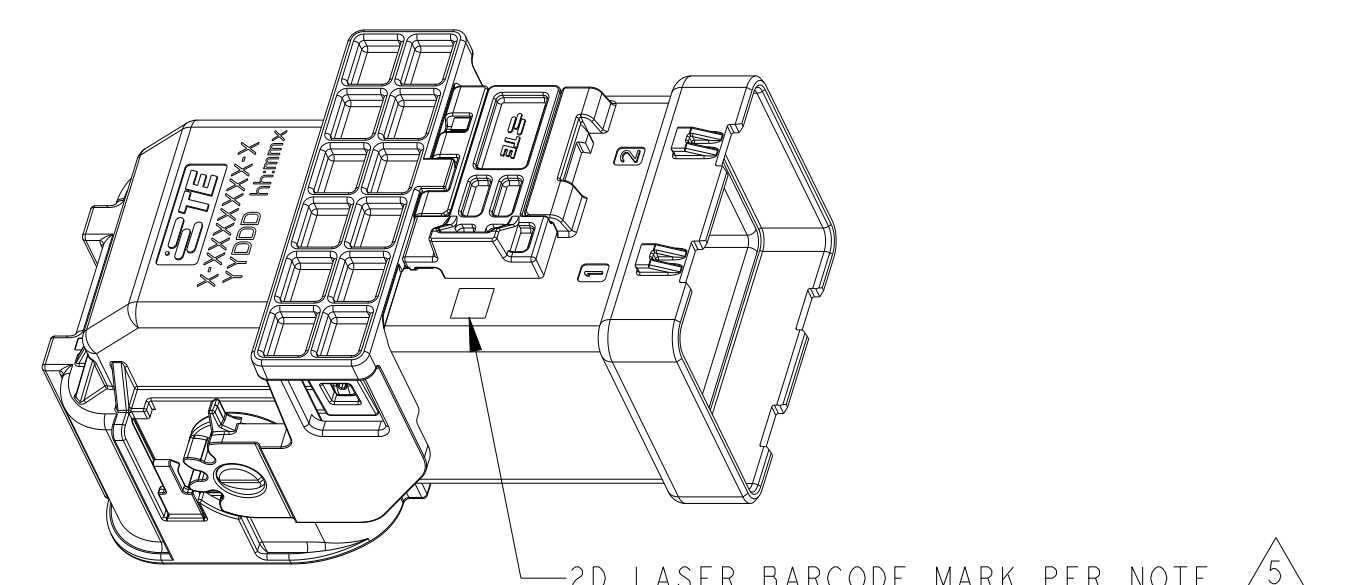


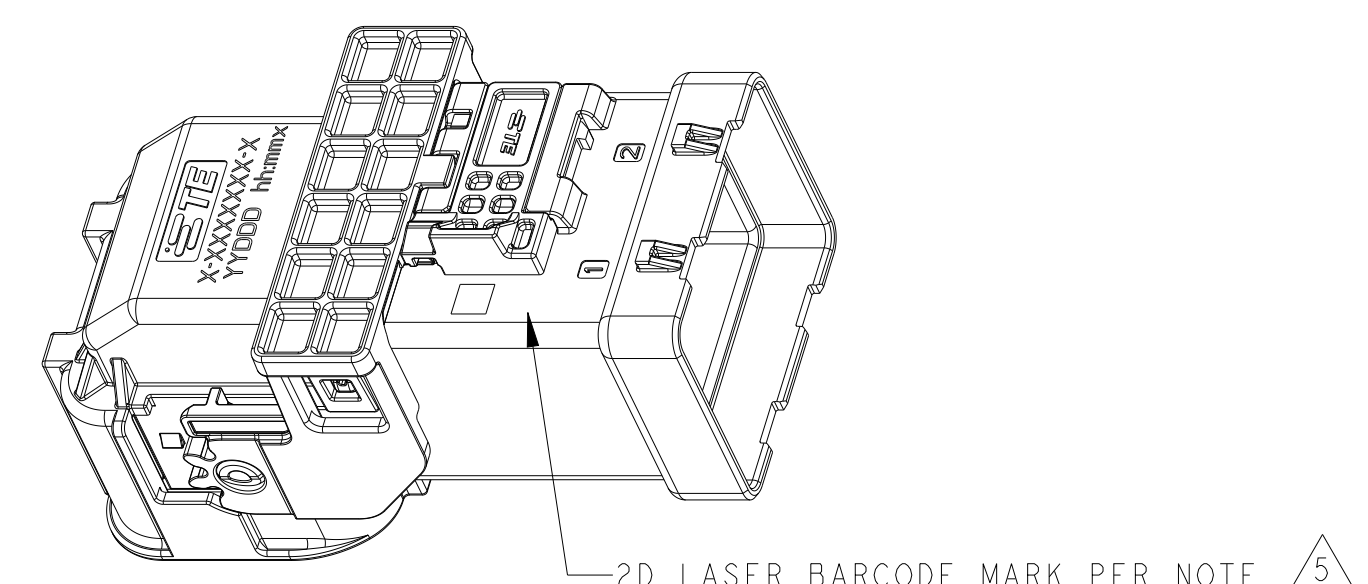
REVISIONS				
P	LTR	DESCRIPTION	DATE	OWN APVD
A		INITIAL RELEASE	06NOV2020	GTG TD
A1		ECN-21-103116	29APR2021	PK YS
A2		ECN-22-169734	05AUG2022	SM PK



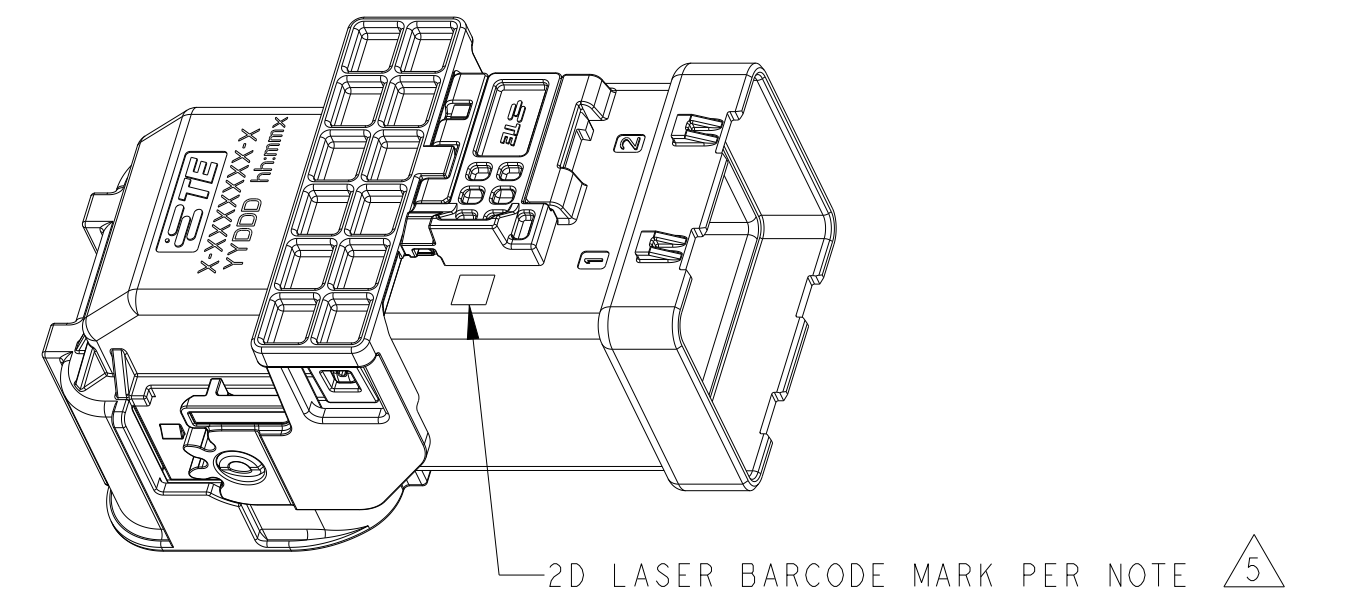
2840900-1 SHOWN UNLESS OTHERWISE SPECIFIED



2840900-1 SHOWN AS SHIPPED TO TIER ONE CUSTOMER FROM TE (LEVER AND CPA CLOSED)

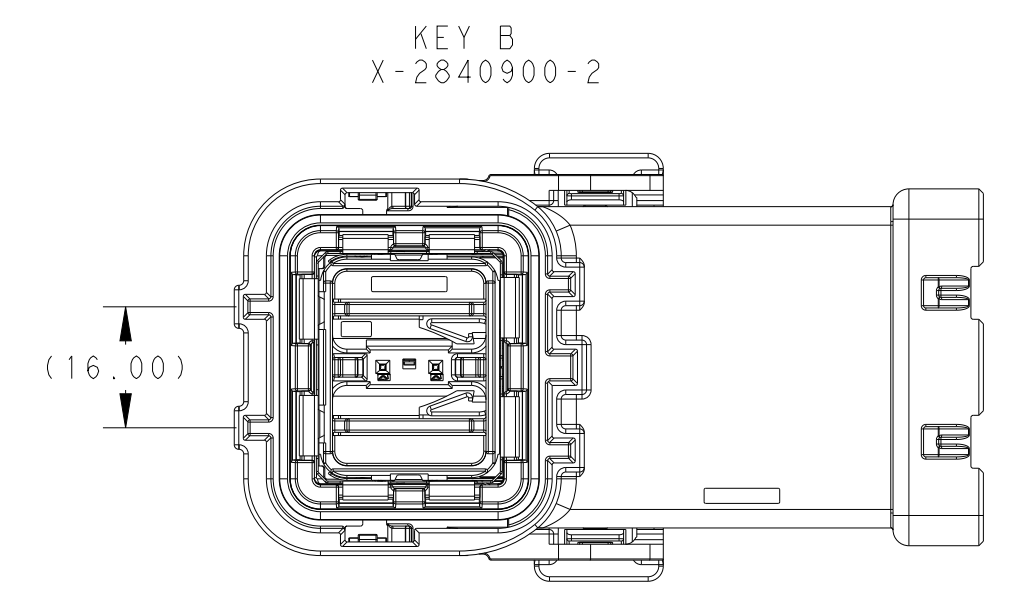
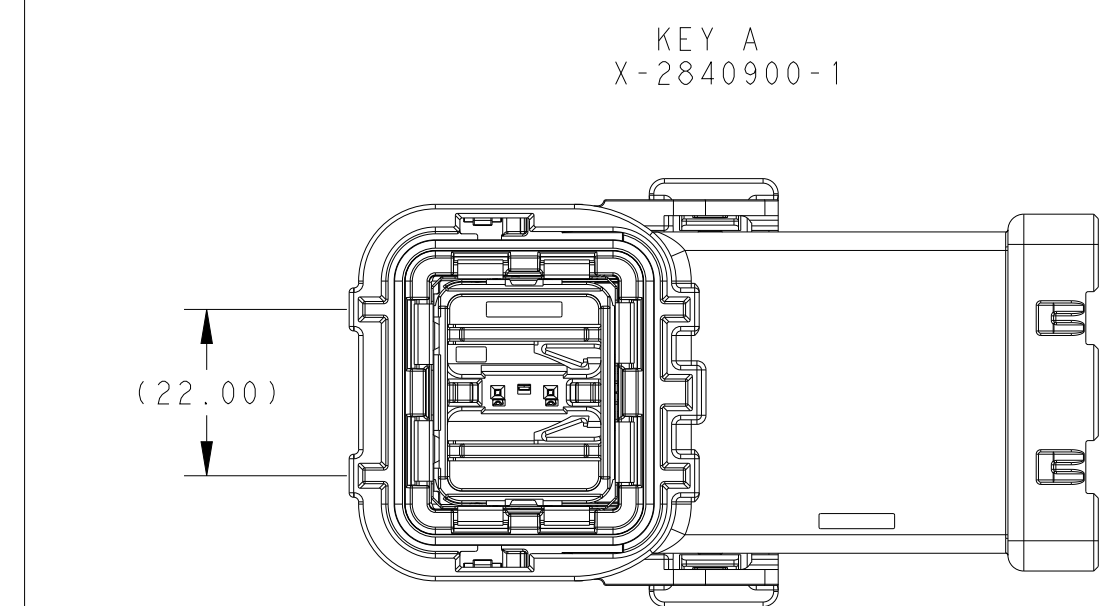


1-2840900-1 SHOWN AS SHIPPED TO TIER ONE CUSTOMER FROM TE (LEVER AND CPA CLOSED)



2-2840900-1 SHOWN AS SHIPPED TO TIER ONE CUSTOMER FROM TE (LEVER AND CPA CLOSED)

- 1 DELIVER WITH LEVER AND CPA CLOSED POSITION
- 2 LASER MARK DATE CODE: YYDD HH:MM FORMAT
- 3 LASER MARK TE PART NUMBER
- 4. FOR MATING COMPONENTS SEE C-2349157
- 5 LASER MARK "OK"
- 6 CAVITY ID MARKING IN RECESSED AREA



DESCRIPTION	INDEX	PART NUMBER
HC-STAK 25 PLUG ASSEMBLY KEY B	A	2-2840900-2
HC-STAK 25 PLUG ASSEMBLY KEY A	A	2-2840900-1
HC-STAK 25 PLUG ASSEMBLY KEY B	B	1-2840900-2
HC-STAK 25 PLUG ASSEMBLY KEY A	A	1-2840900-1
HC-STAK 25 PLUG ASSEMBLY KEY B	B	2840900-2
HC-STAK 25 PLUG ASSEMBLY KEY A	A	2840900-1

THIS DRAWING IS A CONTROLLED DOCUMENT.

DIMENSIONS:	TOLERANCES UNLESS OTHERWISE SPECIFIED	OWN P. KOLHAIKAR 03SEP2020	CHK T. DEWITTE 03SEP2020	APVD T. DEWITTE 03SEP2020	NAME PLUG SUB-ASSEMBLY HC-STAK 25-2PHI
mm	0 PLC ±	TE Connectivity		PRODUCT SPEC 108-160108	SIZE CAGE CODE DRAWING NO
	1 PLC ±	CUSTOMER DRAWING		APPLICATION SPEC 114-162001	RESTRICTED TO
	2 PLC ±	SCALE 1:1		WEIGHT	SHEET 1 OF 1
	3 PLC ±	REV A2		WEIGHT	
	4 PLC ±			WEIGHT	
	5 PLC ±			WEIGHT	
	6 PLC ±			WEIGHT	
	ANGLES			WEIGHT	
	FINISH			WEIGHT	