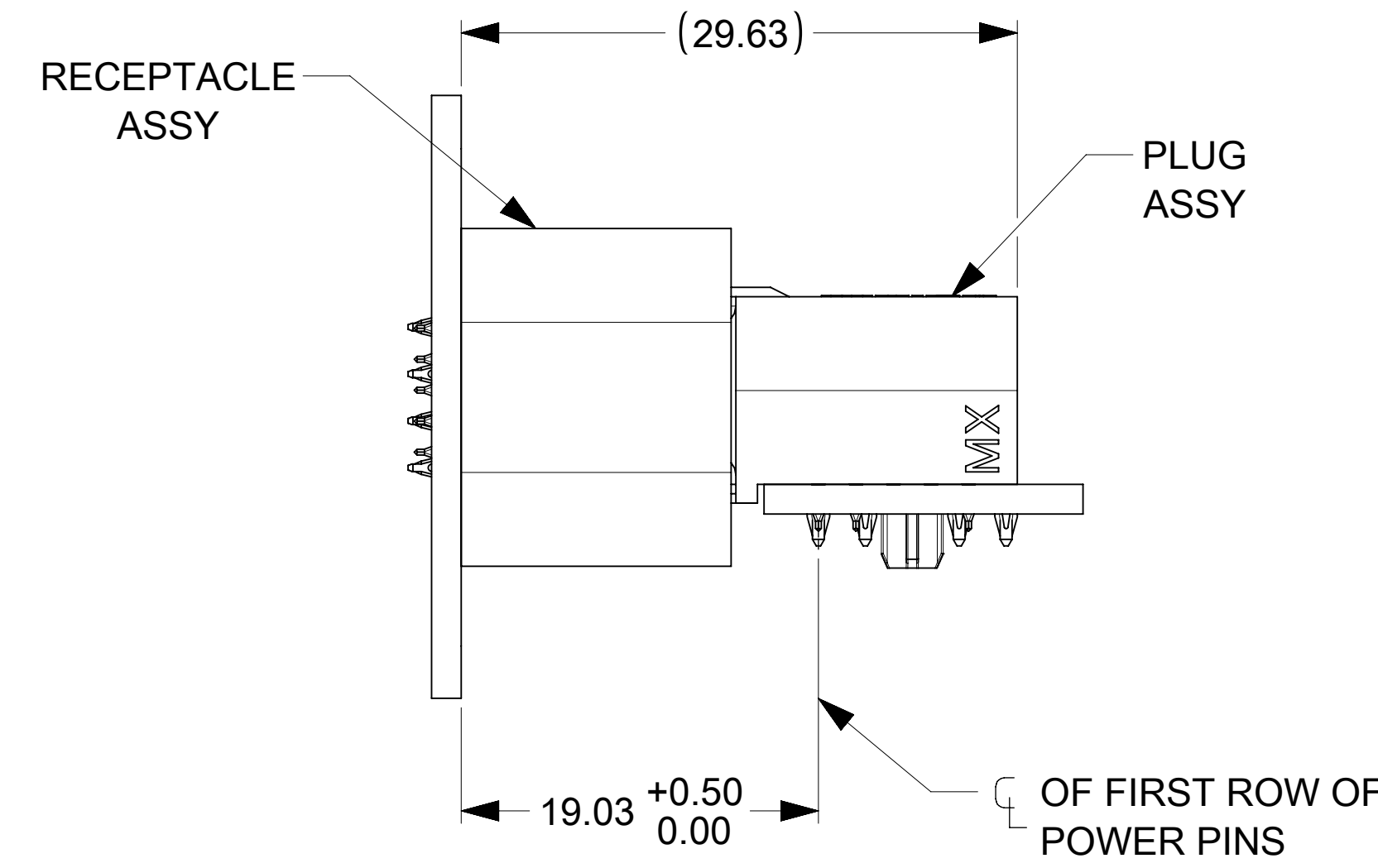
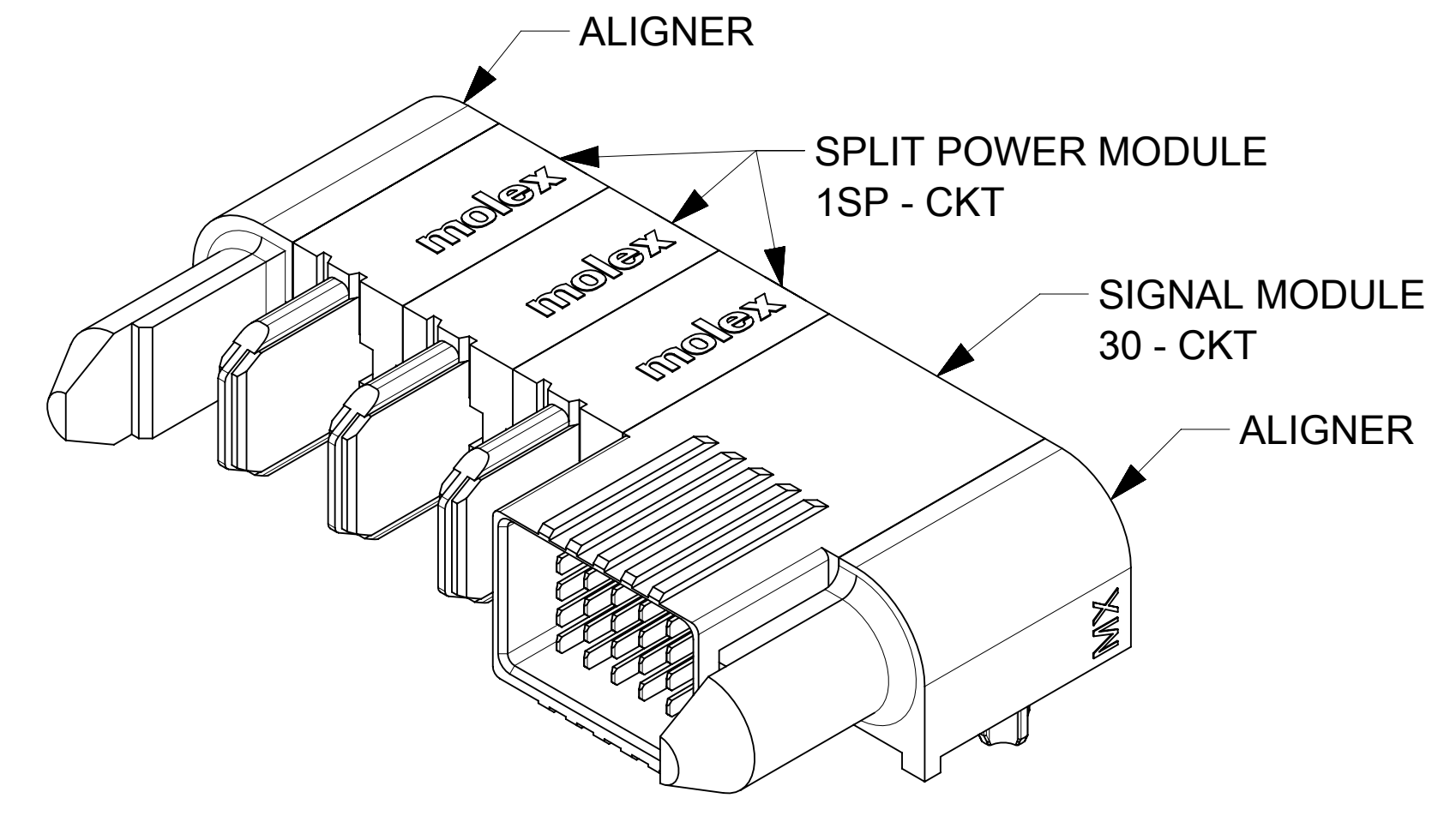


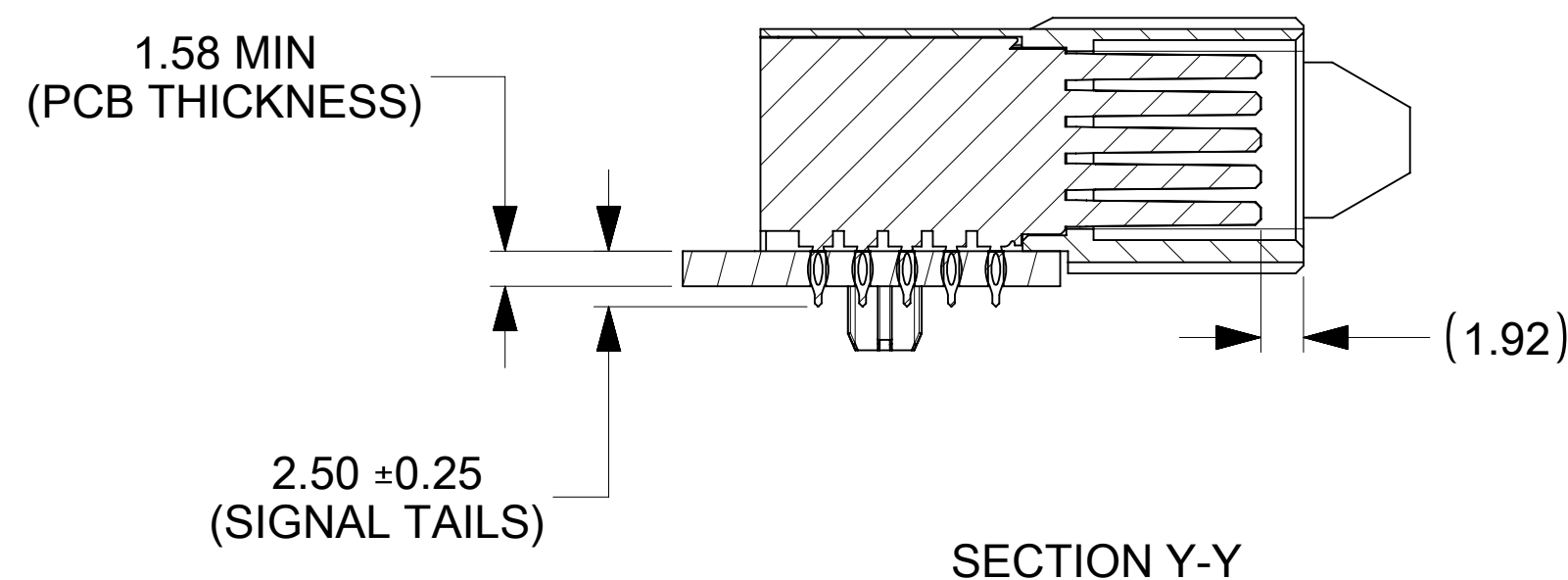
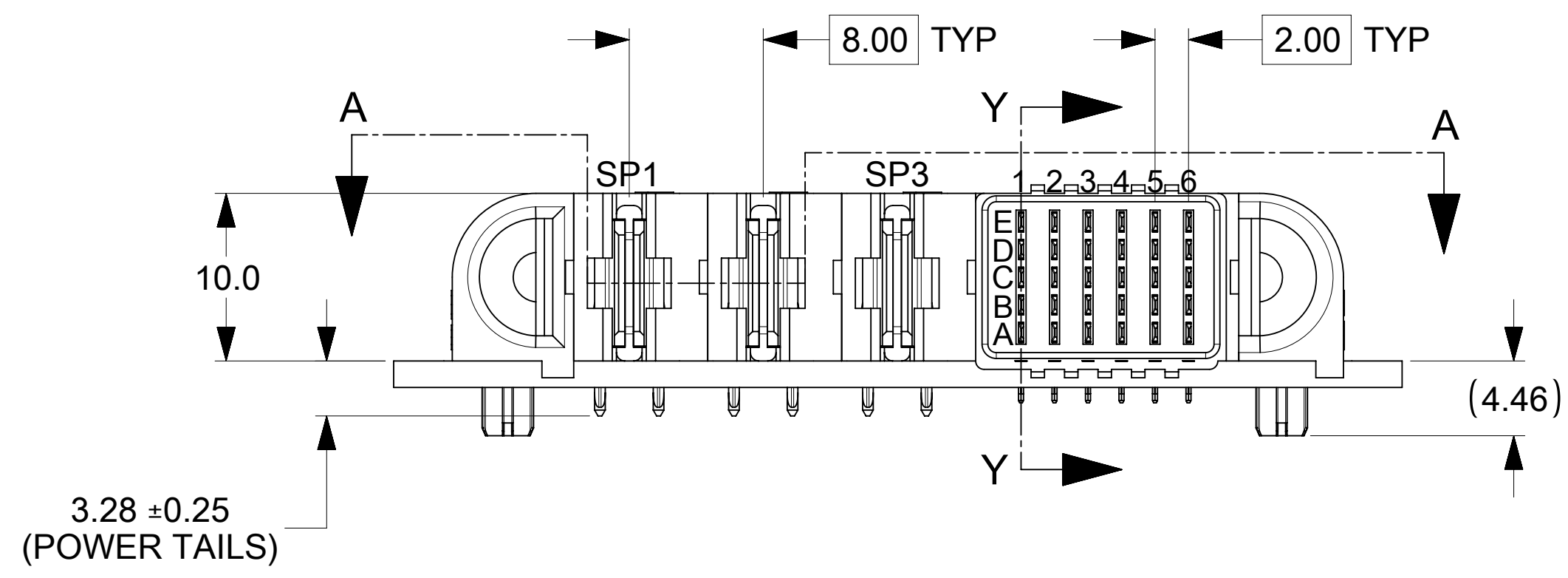
SECTION A-A



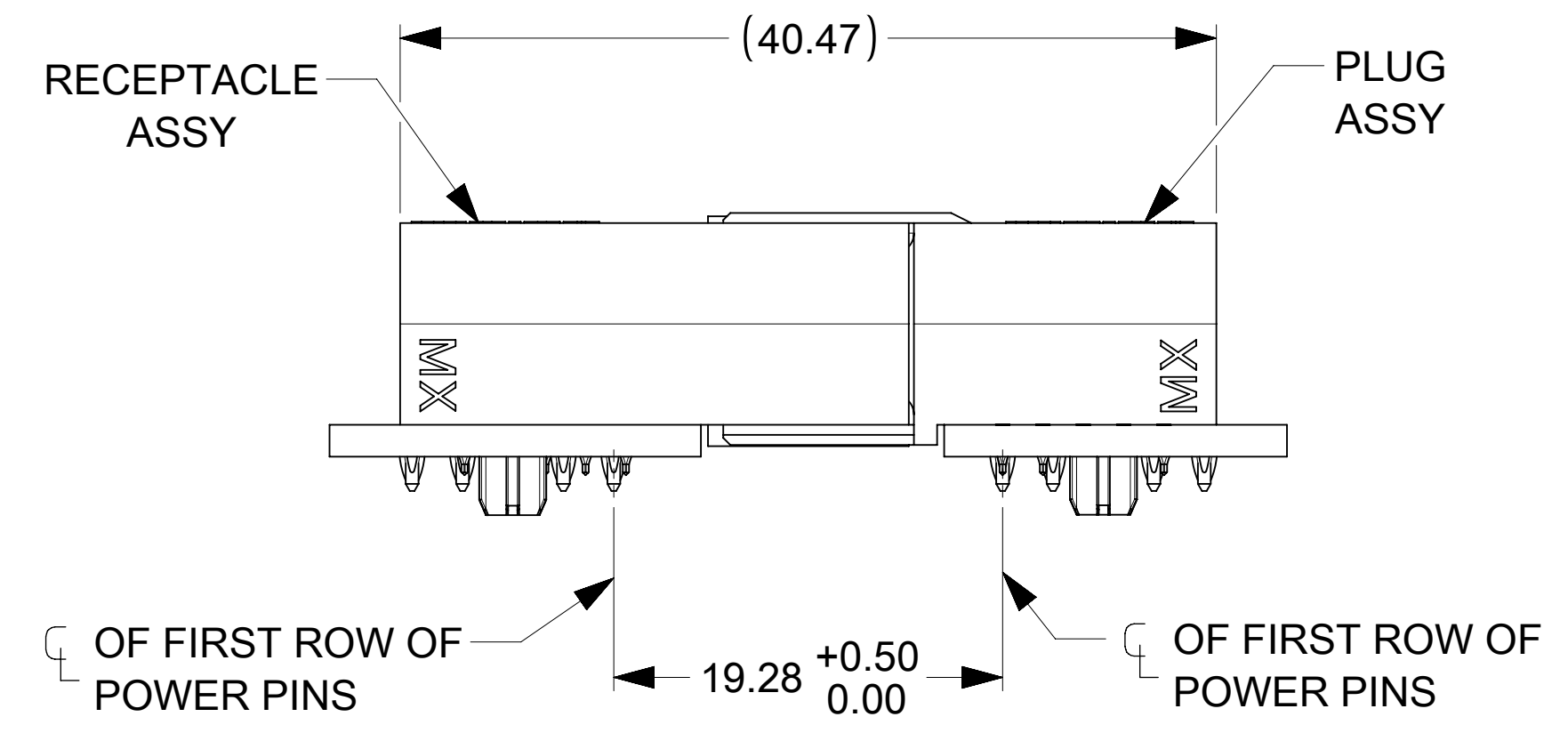
MATED PROFILE
(MATED WITH VERT RECEPTACLE ASSY)



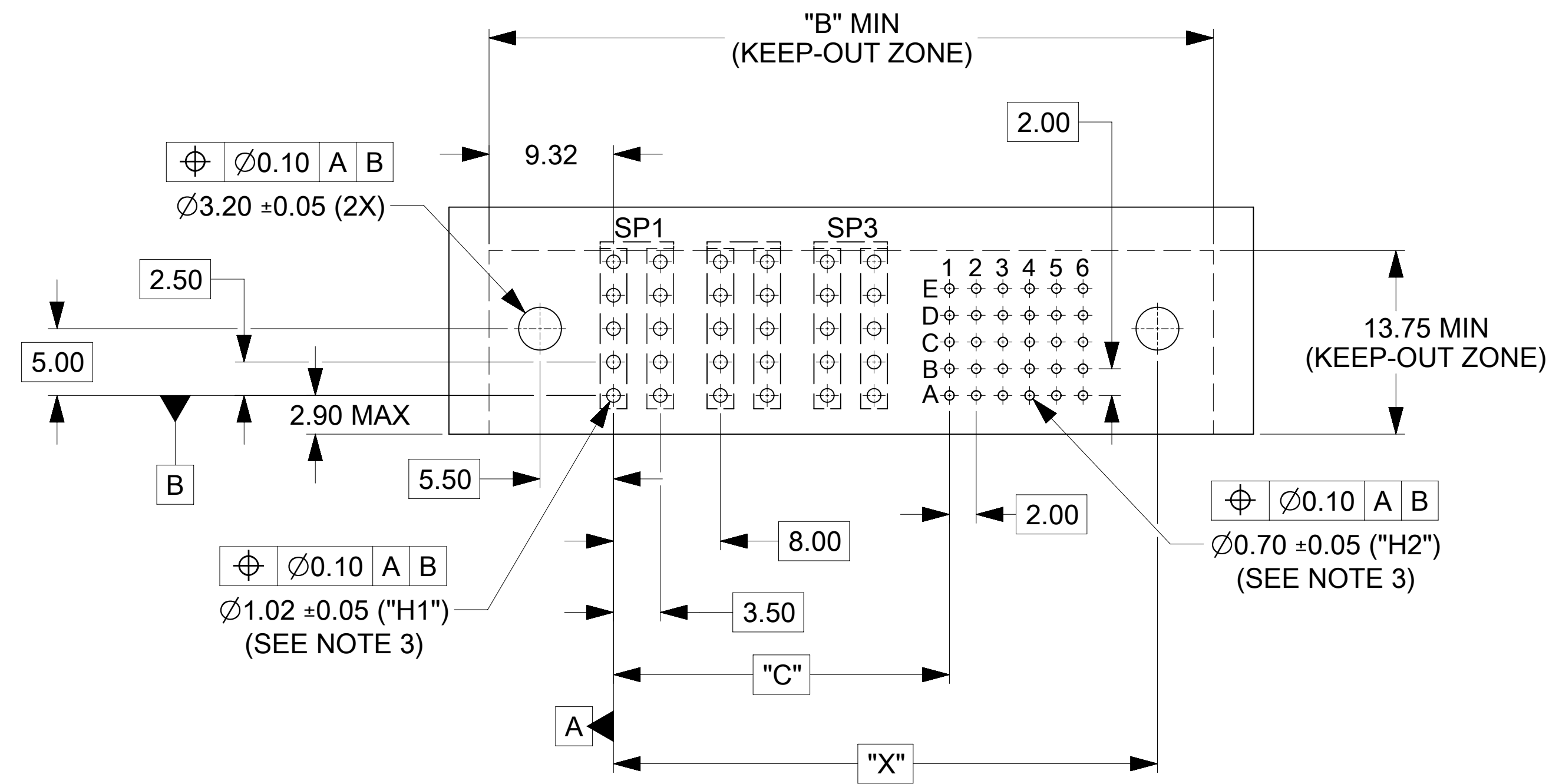
P/N: 171088-8418 (G-3SP-30S-G)



SECTION Y-Y



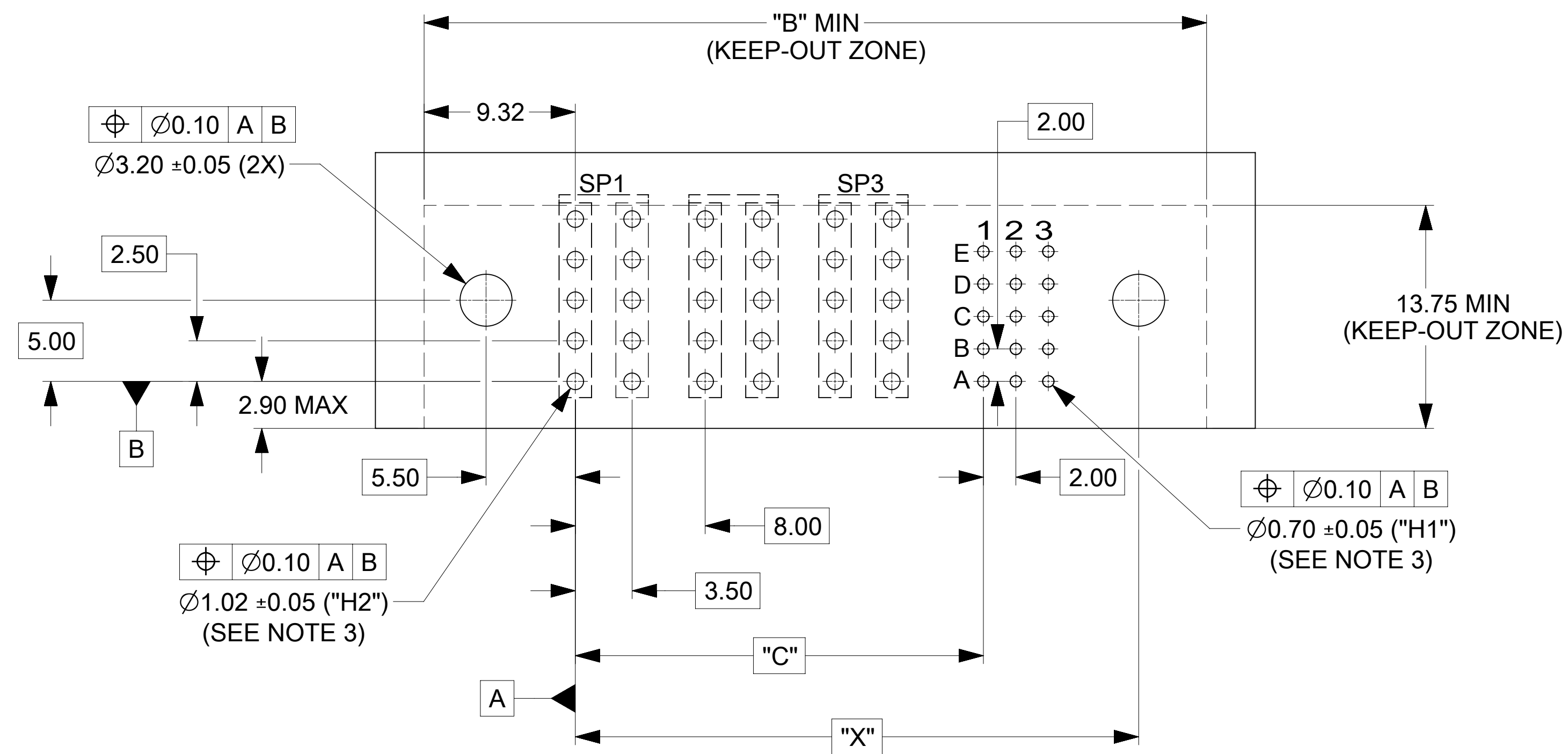
MATED PROFILE
(MATED WITH R/A RECEPTACLE ASSY)



RECOMMENDED PCB LAYOUT AND KEEP-OUT ZONE FOR G-(1SP TO 3SP)-30S-G

- NOTES:
- MATERIAL:
 - HOUSINGS: LCP UL94, V-0, COLOR: BLACK
 - TERMINALS: HIGH CONDUCTIVITY COPPER ALLOY
 - PLATING: 1.27 MICROMETER (50 MICROINCH) NICKEL OVERALL WITH 2.54 MICROMETER (100 MICROINCH) SELECTIVE TIN ON TAILS AND 0.762 MICROMETER (30 MICROINCH) SELECTIVE GOLD ON CONTACT AREA
 - PACKAGING: ASSEMBLIES TO BE TRAY PACKED PER PACKAGING SPEC: 1710881001-PK
 - PLATED THRU HOLE SIZE, REFER TO PS-171088-0000 FOR DETAILS
 - PRODUCT SPEC: PS-171088-0000
 - PRODUCT TO MEET RoHS REQUIREMENTS
 - ASSEMBLY MATES TO MOLEX RECEPTACLE ASSEMBLY P/N 171089-**** AND 171090-**** (SEE TABLE IN SHEET 2)
 - TAIL DESIGN: COMPLIANT TAIL
 - POWER AND SIGNAL CONTACTS ARE LUBRICATED.
 - APPLICATION SPEC: AS-46436-100..
 - MOLEX LOGO TO BE LOCATED APPROXIMATELY AS SHOWN.

THIS DRAWING CONTAINS INFORMATION THAT IS PROPRIETARY TO MOLEX ELECTRONIC TECHNOLOGIES, LLC AND SHOULD NOT BE USED WITHOUT WRITTEN PERMISSION									
DIMENSION UNITS	SCALE	CURRENT REV DESC: REMOVED 8414, 8415, 8419 & 8420							
mm	3:1								
GENERAL TOLERANCES (UNLESS SPECIFIED)									
ANGULAR TOL	± 0.5°								
4 PLACES	±	EC NO: 707711							
3 PLACES	±	DRWN: KSUTAR	2022/05/20						
2 PLACES	± 0.13	CHK'D: GJEEVANSURES	2022/05/23						
1 PLACE	± 0.25	APPR: HTHYAGARAJ	2022/06/08						
0 PLACES	±	INITIAL REVISION:							
DRAFT WHERE APPLICABLE MUST REMAIN WITHIN DIMENSIONS		DRWN: KSUTAR	2021/09/22						
THIRD ANGLE PROJECTION		APPR: HTHYAGARAJ	2021/11/08						
DRAWING		D-SIZE		SERIES					
		171088		MATERIAL NUMBER	CUSTOMER				
		SEE TABLE		GENERAL MARKET					
		1710888420		DOC TYPE	DOC PART	REVISION			
		PSD 000		A2					
		1 OF 3							



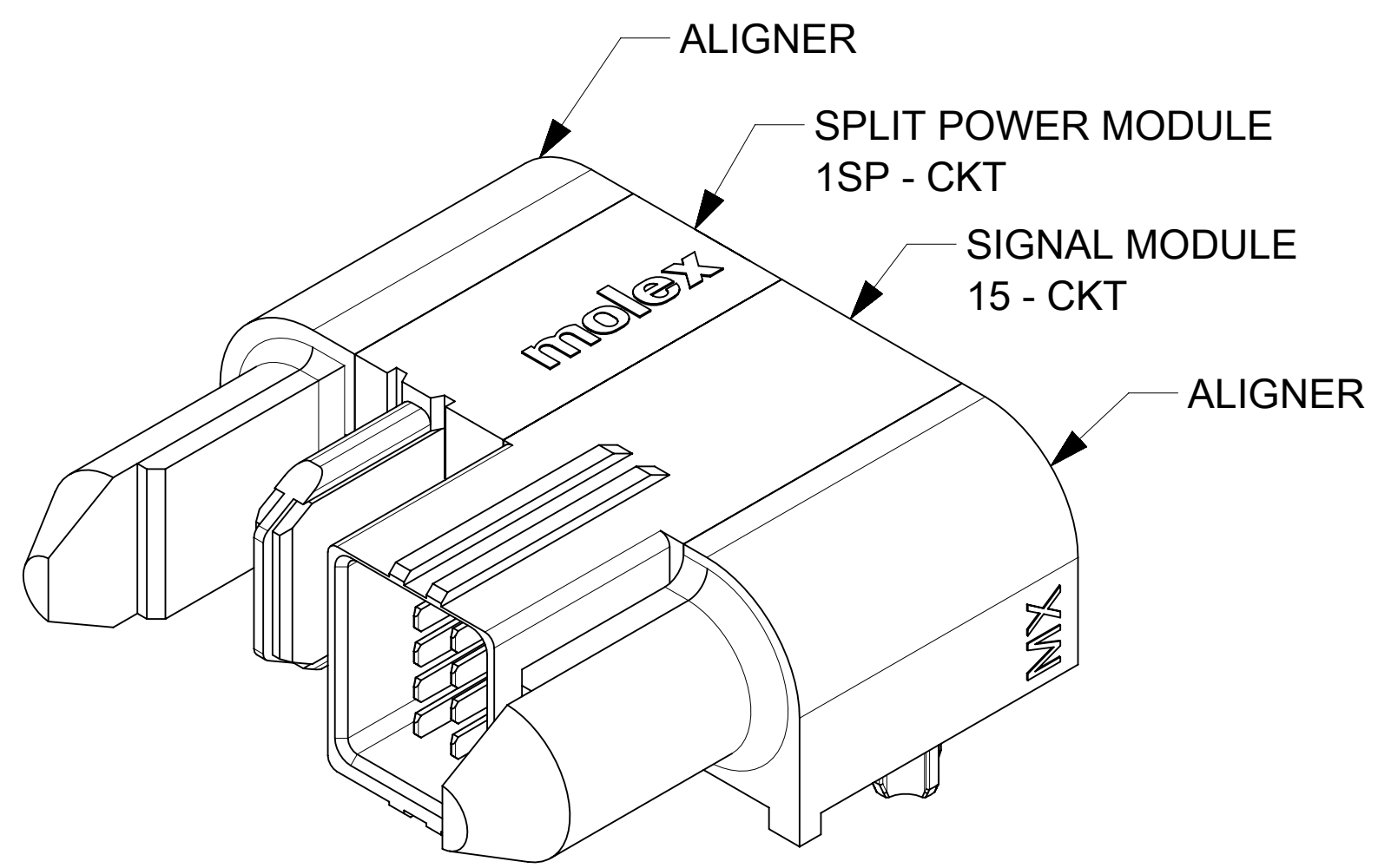
RECOMMENDED PCB LAYOUT AND KEEP-OUT ZONE FOR G-(1SP TO 3SP)-15S-G

REFER TO BELOW TABLE FOR DIMENSIONS.

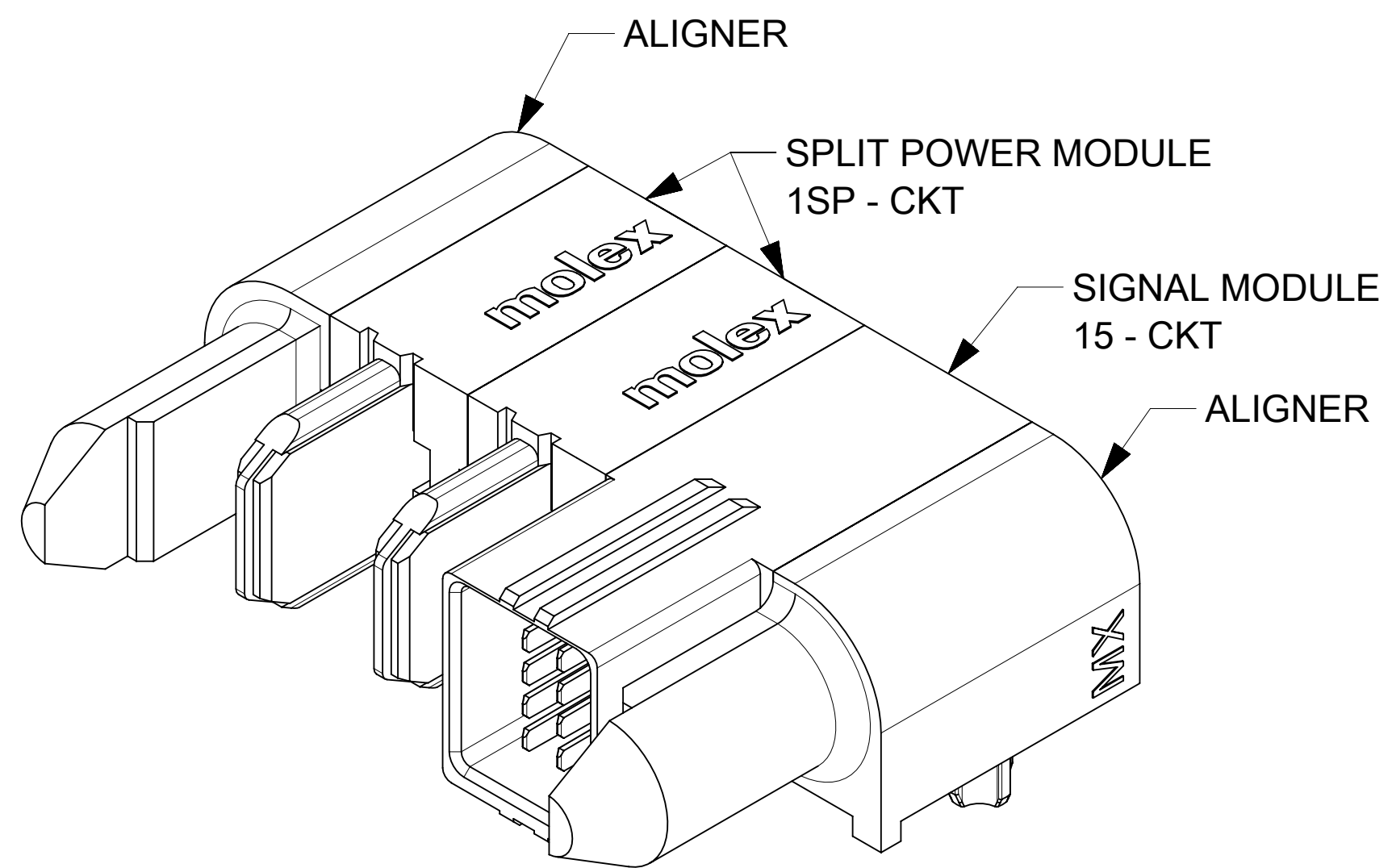
FG P/N	CONFIGURATION	POWER CKT SIZE	SIGNAL CKT SIZE	DIM "A" (IN MM)	DIM "B" (IN MM)	DIM "C" (IN MM)	DIM "X" (IN MM)	HOLES COUNT "H1"	HOLES COUNT "H2"	MATES WITH R/A ASSY P/N	MATES WITH VERT ASSY P/N
1710888411	G-1SP-15S-G	1	15	31.21	32.21	9.14	18.71	10	15	1710908411	1710898411
1710888412	G-2SP-15S-G	2	15	39.21	40.21	17.14	26.71	20	15	1710908412	1710898412
1710888413	G-3SP-15S-G	3	15	47.21	48.21	25.14	34.71	30	15	1710908413	1710898413
1710888416	G-1SP-30S-G	1	30	37.21	38.21	9.14	24.71	10	30	1710908416	1710898416
1710888417	G-2SP-30S-G	2	30	45.21	46.21	17.14	32.71	20	30	1710908417	1710898417
1710888418	G-3SP-30S-G	3	30	53.21	54.21	25.14	40.71	30	30	1710908418	1710898418

THIS DRAWING CONTAINS INFORMATION THAT IS PROPRIETARY TO MOLEX ELECTRONIC TECHNOLOGIES, LLC AND SHOULD NOT BE USED WITHOUT WRITTEN PERMISSION

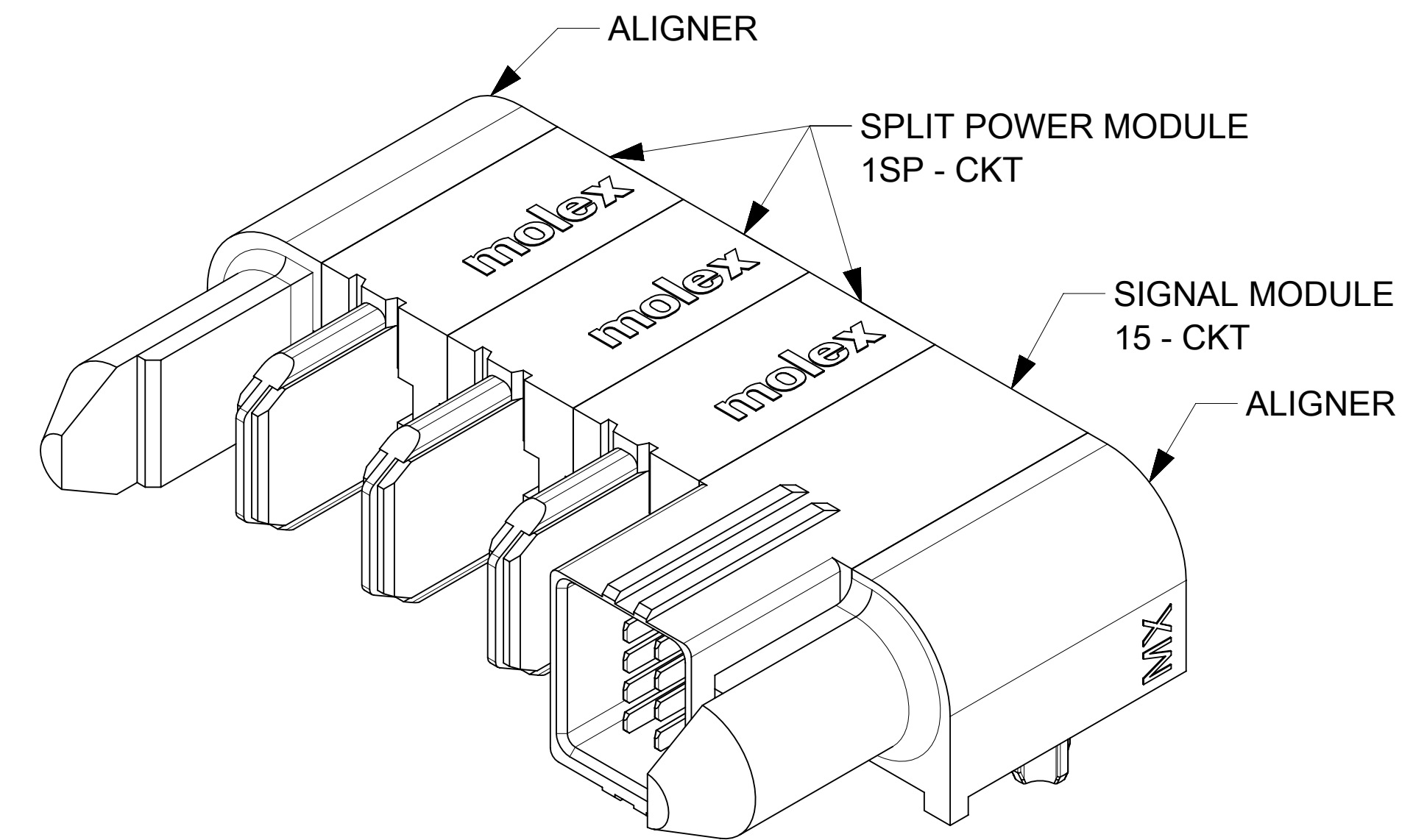
DIMENSION UNITS mm	SCALE 4:1	CURRENT REV DESC: REMOVED 8414, 8415, 8419 & 8420			
GENERAL TOLERANCES (UNLESS SPECIFIED)					
ANGULAR TOL	± 0.5°	EC NO: 707711	PRODUCT CUSTOMER DRAWING		
4 PLACES	±	DRWN: KSUTAR 2022/05/20			
3 PLACES	±	CHK'D: GJEEVANSURES 2022/05/23	DOC TYPE PSD		
2 PLACES	± 0.13	APPR: HTHYAGARAJ 2022/06/08			
1 PLACE	± 0.25	INITIAL REVISION: DRWN: KSUTAR 2021/09/22	REVISION A2		
0 PLACES	±	APPR: HTHYAGARAJ 2021/11/08			
DRAFT WHERE APPLICABLE MUST REMAIN WITHIN DIMENSIONS	THIRD ANGLE PROJECTION	DRAWING	SERIES	CUSTOMER	SHEET NUMBER
		D-SIZE	171088	GENERAL MARKET	2 OF 3



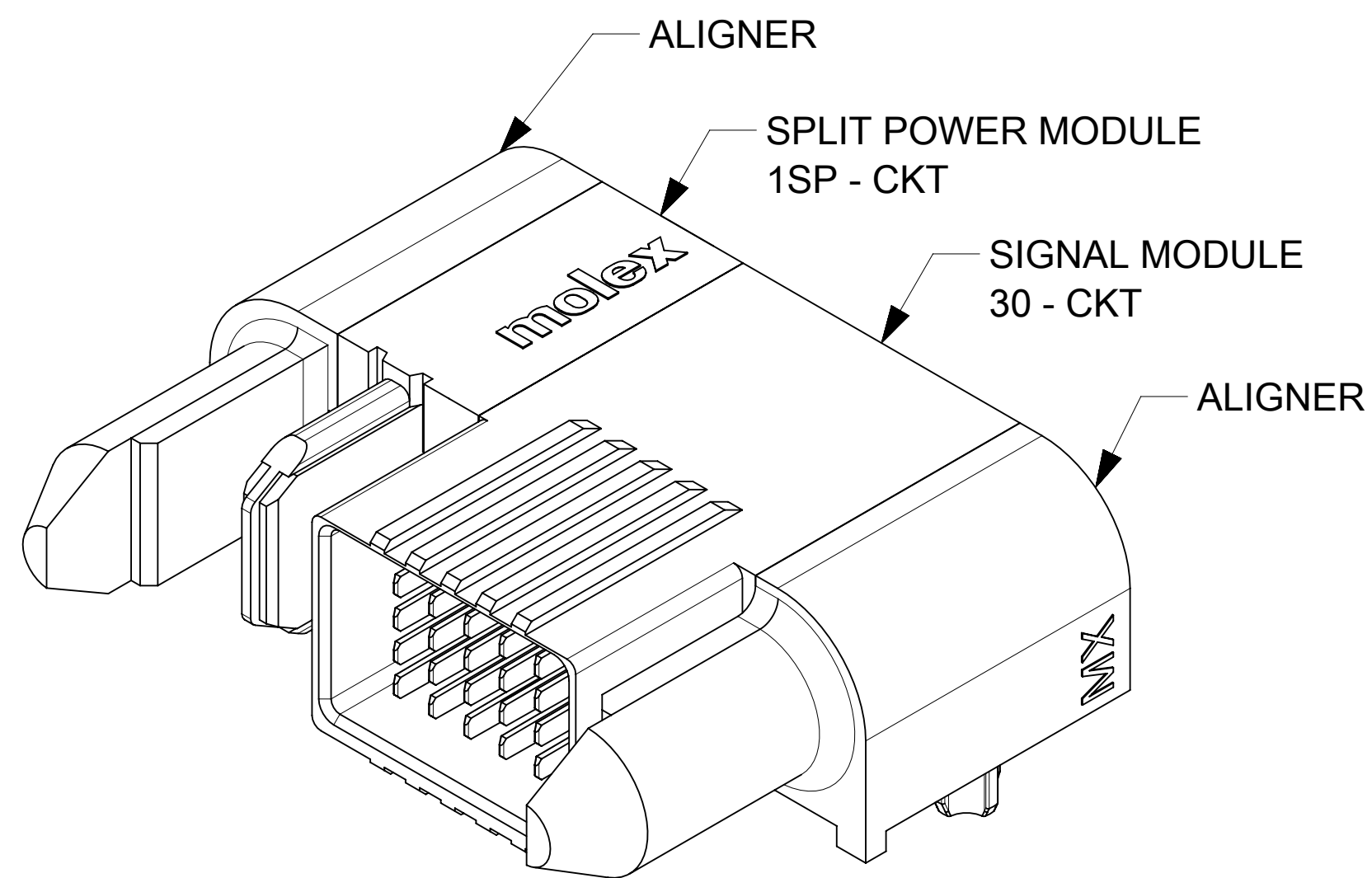
P/N: 171088-8411 (G-1SP-15S-G)



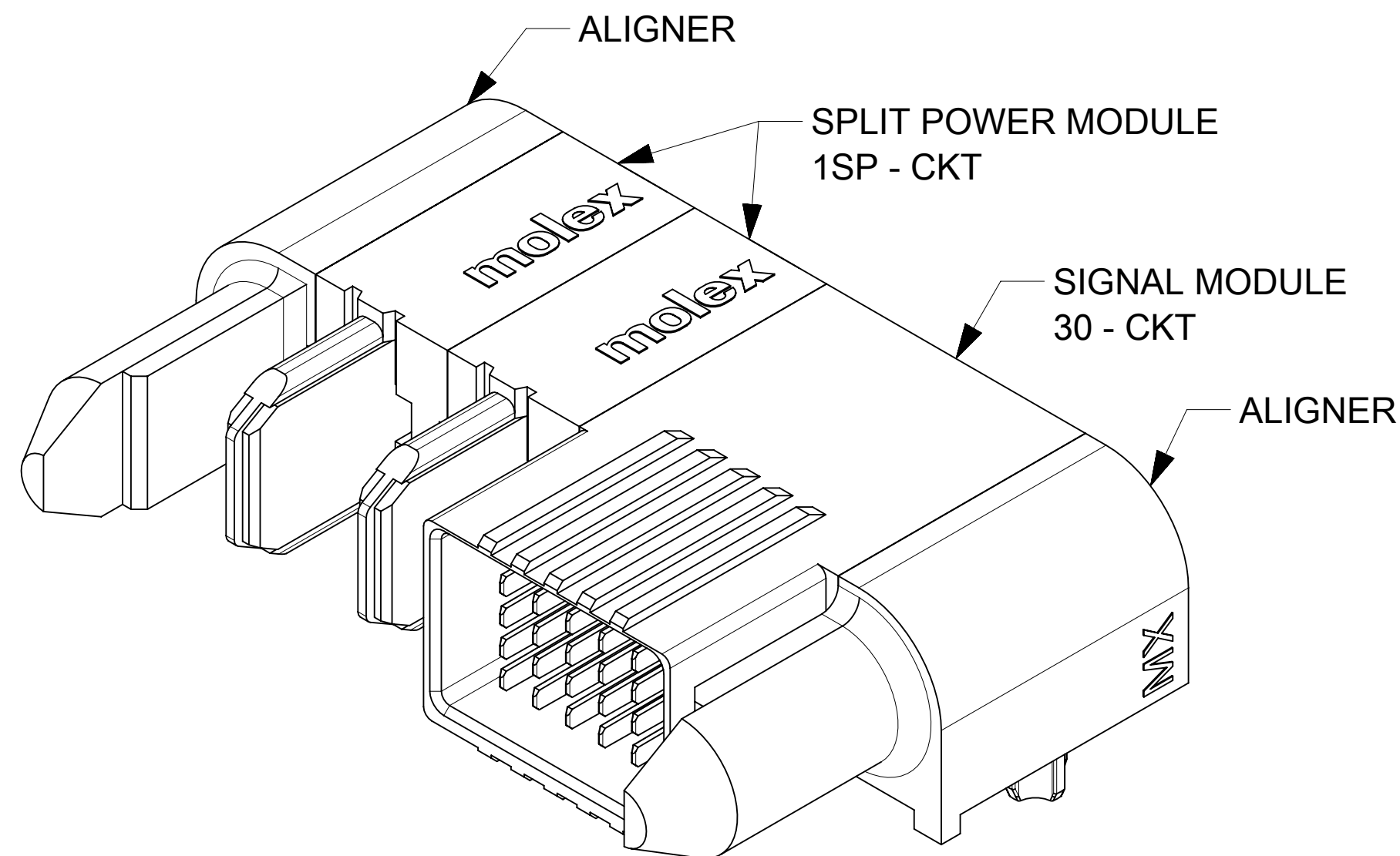
P/N: 171088-8412 (G-2SP-15S-G)



P/N: 171088-8413 (G-3SP-15S-G)



P/N: 171088-8416 (G-1SP-30S-G)



P/N: 171088-8417 (G-2SP-30S-G)

THIS DRAWING CONTAINS INFORMATION THAT IS PROPRIETARY TO MOLEX ELECTRONIC TECHNOLOGIES, LLC AND SHOULD NOT BE USED WITHOUT WRITTEN PERMISSION												
DIMENSION UNITS	SCALE	CURRENT REV DESC: REMOVED 8414, 8415, 8419 & 8420										
mm	4:1	<div style="text-align: center;">molex</div> <p>G-*SP-*S-G R/A PLUG ASSY - TEN60 SPLIT POWER</p> <p>PRODUCT CUSTOMER DRAWING</p>										
GENERAL TOLERANCES (UNLESS SPECIFIED)												
ANGULAR TOL	± 0.5°											
4 PLACES	±											
3 PLACES	±											
2 PLACES	± 0.13	EC NO: 707711	DRWN: KSUTAR		2022/05/20		DOCUMENT NUMBER		DOC TYPE	DOC PART	REVISION	
1 PLACE	± 0.25	INITIAL REVISION:		DRWN: KSUTAR		2021/09/22		1710888420		PSD	000	A2
0 PLACES	±	APPR: HTHYAGARAJ		2022/06/08		APPR: HTHYAGARAJ		2021/11/08		SEE TABLE		SHEET NUMBER
DRAFT WHERE APPLICABLE MUST REMAIN WITHIN DIMENSIONS		THIRD ANGLE PROJECTION	DRAWING	SERIES	MATERIAL NUMBER	CUSTOMER	GENERAL MARKET					
			D-SIZE	171088	SEE TABLE	GENERAL MARKET	3 OF 3					