

TECHNICAL SPECIFICATIONS:

MATERIAL :

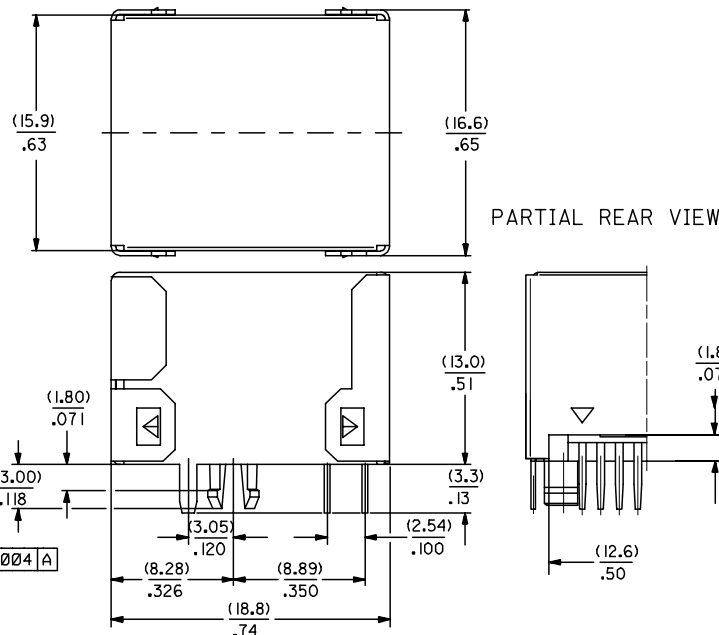
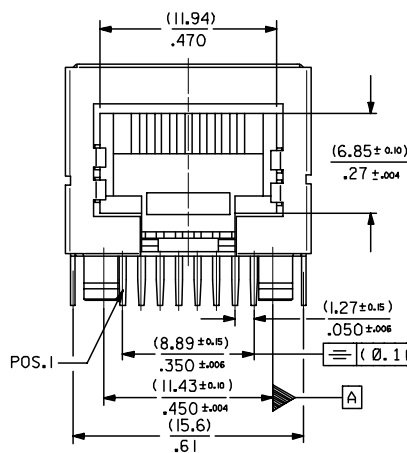
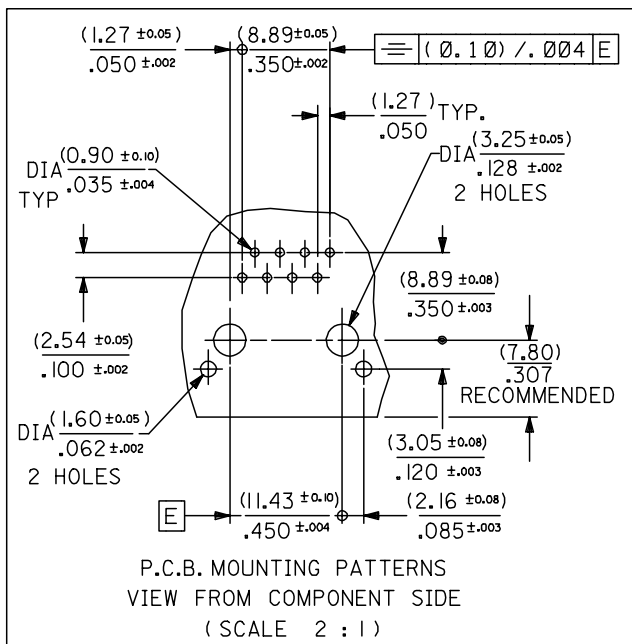
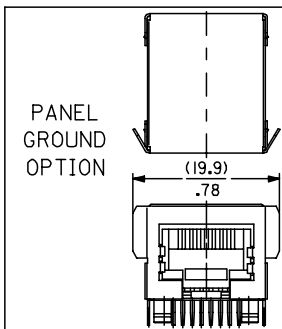
HOUSING TYPE 1: POLYESTER GLASS FILLED UL 94V0
COLOR BLACK

HOUSING TYPE 2: POLYAMIDE HIGH TEMPERATURE GLASS
FILLED UL 94V0 COLOR BLACK

TERMINAL : PHOSPHOR BRONZE PLATED WITH :
(0.00127)/.000050 MIN. GOLD IN CONTACT AREA,
(0.00190)/.000075 MIN. PURE TIN IN TAIL AREA,
BOTH OVER (0.00127)/.000050 MIN. NICKEL OVERALL

SHIELD : BRASS PLATED WITH (0.0020)/.000078 MIN. TIN.

ENG.N°.	HOUSING SIZE	HOUSING MATERIAL TYPE	LOADED CKTS	PANEL GROUND	TOOLED	PACKAGING SPECIFICATION PK-95122
95122-2881	8	1	8	NO	YES	TRAY (SHEET 1)
95122-2882				YES	YES	BLISTER (SHEET 2)
95122-2883		2		NO	YES	TRAY (SHEET 1)



NOTES:

- 1- JACK FOR MATING WITH SHIELDED PLUG
MOLEX 95043 AND 85568 SERIES.
- 2- PRODUCT SPECIFICATION: MOLEX PS-95122.
- 3- APPLICATION SPECIFICATION: MOLEX AS-95001.
- 4- PACKAGING SPECIFICATION: MOLEX PK-95122 (SEE CHART)
- 5- P.C. BOARD THICKNESS : (1.57)/.062

ENTER DESCRIPTION EC NO: MG2005-0122 DRAWN: KNOLLER 2004/10/08 CHKD: FCARABET 2004/10/08 APPR: KNOLLER 2004/10/08	QUALITY SYMBOLS ▽=0 ▽=0	GENERAL TOLERANCES (UNLESS SPECIFIED)		DIMENSION STYLE MM/IN		SCALE 3:1	DESIGN UNITS METRIC	THIRD ANGLE PROJECTION			
		4 PLACES ± --- ± ---	3 PLACES ± --- ± .010	2 PLACES ± 0.25 ± .014	1 PLACE ± 0.35 ± ---	ANGULAR ± 2 °	DRAWN BY GP 93/04/20	DATE 93/04/20	TITLE FULLY SHIELDED R/A MODULAR JACK 8 CKTS THROUGH HOLE - VERSION A		
		DRAFT WHERE APPLICABLE MUST REMAIN WITHIN DIMENSIONS					CHECKED BY FB 93/04/20	DATE 93/04/20	MOLEX INCORPORATED		
		SEE CHART					APPROVED BY JB 93/04/20	DATE 93/04/20	DOCUMENT NO. SDA-95122	SHEET NO. 1 OF 3	

3	K
2	K
1	K