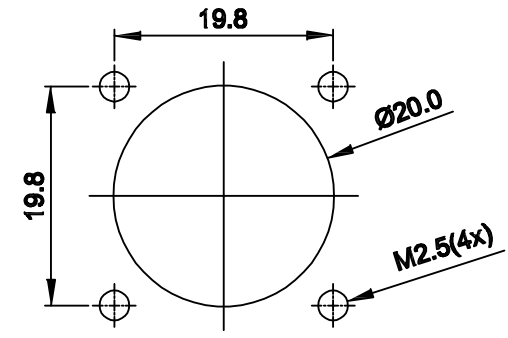
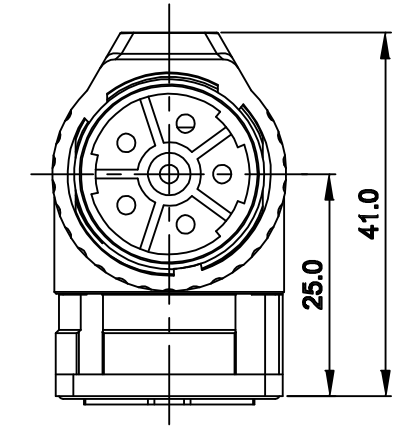
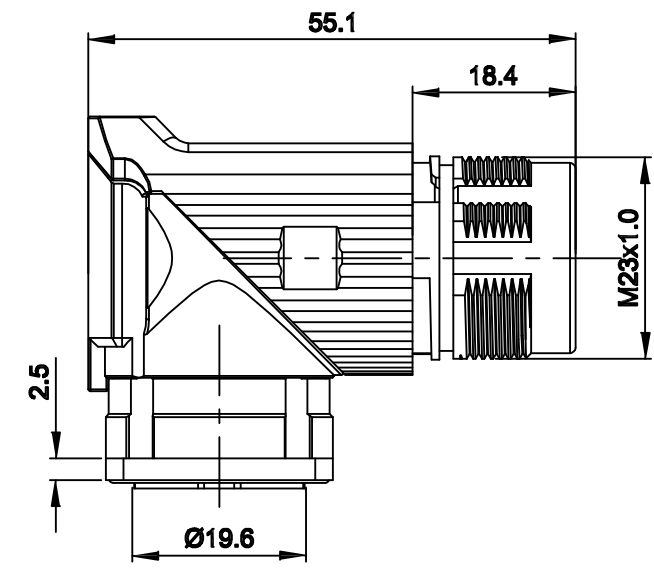
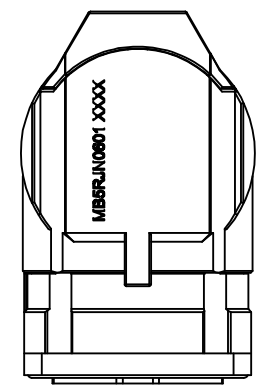
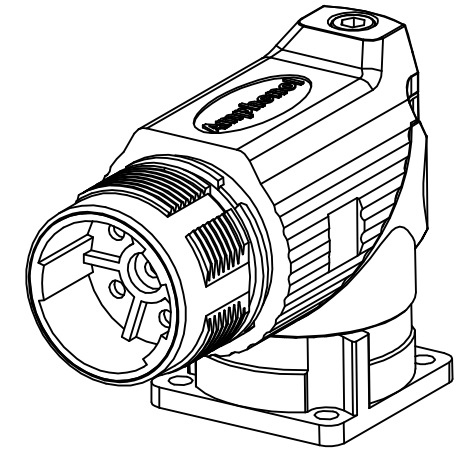
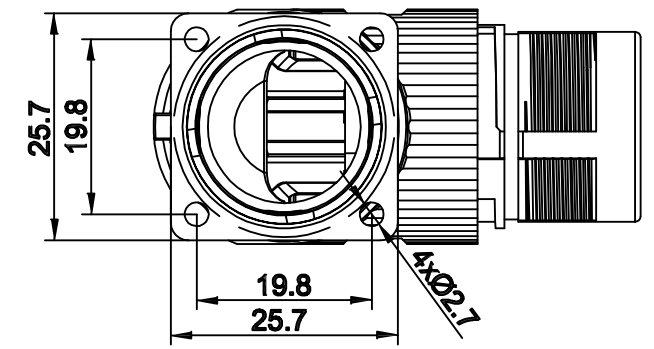


REVISIONS					
REV	ECO	DESCRIPTION	DATE	BY	APPR
A1	-	FIRST RELEASE	Oct.23,2015	Drack	Tommy
A2	-	Updated Drawing	Jun.12,2017	White	Tommy
A3	-	Updated Drawing	Jun.16,2017	White	Tommy



MOUNTING HOLE



NOTES: UNLESS OTHERWISE SPECIFIED

- MATERIAL:
INSULATION INSERT: PA66,UL94 V0
SEAL: VITON
HOUSING BODY: ZINC DIE CAST, NICKEL PLATED
- SPECIFICATIONS
2.1 CURRENT RATING: 28 AMPS
2.2 VOLTAGE RATING: 630 V AC/DC
2.3 OPERATING TEMPERATURE: -20C TO +130C
2.4 DIELECTRIC WITHSTANDING VOLTAGE: LESS THAN 2 MILLIAMPS CURRENT LEAKAGE @ 6000 VOLTS AC.
2.5 DEGREE OF PROTECTION: IP67 (MATED CONDITION)
2.6 DEGREE OF POLLUTION: 3 PER UL840
2.7 OVERVOLTAGE CATEGORY: III PER UL840
2.8 MATING CYCLE DURABILITY: >500 CYCLES
2.9 RoHS COMPLIANT

3. ALL DIMENSIONS ARE FOR REFERENCE USE ONLY.

QUANTITY	SEE PART NUMBER CHART	DESCRIPTION	ITEM												
MATERIALS LIST															
<small>UNLESS OTHERWISE SPECIFIED</small> 1) All dimensions are in metric(mm). 2) Tolerances are as follows: 1 PL DEC ±0.30 2 PL DEC ±0.15 3 PL DEC ±0.08 3) Note reference = Δ		<table border="1"> <thead> <tr> <th>SIGNATURES</th> <th>DATE</th> </tr> </thead> <tbody> <tr> <td>DRAWN: White</td> <td>Jun.16,2017</td> </tr> <tr> <td>CHECKED: Tod</td> <td>Jun.16,2017</td> </tr> <tr> <td>ENGINEER:</td> <td></td> </tr> <tr> <td>APPROVAL: Tommy</td> <td>Jun.16,2017</td> </tr> <tr> <td>CUSTOMER:</td> <td></td> </tr> </tbody> </table>	SIGNATURES	DATE	DRAWN: White	Jun.16,2017	CHECKED: Tod	Jun.16,2017	ENGINEER:		APPROVAL: Tommy	Jun.16,2017	CUSTOMER:		<div style="text-align: center;"> <h1>Amphenol</h1> <p>Sine Systems - www.amphenol-sine.com 44724 Morley Drive Clinton Township, MI 48036</p> </div>
SIGNATURES	DATE														
DRAWN: White	Jun.16,2017														
CHECKED: Tod	Jun.16,2017														
ENGINEER:															
APPROVAL: Tommy	Jun.16,2017														
CUSTOMER:															
MATERIAL SPECIFICATIONS:		M23B,REC.,RA,6POS,FLANGE MOUNT, CHECKMATE													
PROCESS SPECIFICATIONS:		<table border="1"> <tr> <td>SIZE</td> <td>TYPE</td> <td>DWG NO.</td> <td>REVISION</td> </tr> <tr> <td>B</td> <td>C-</td> <td>MB5RJN0601</td> <td>A3</td> </tr> </table>		SIZE	TYPE	DWG NO.	REVISION	B	C-	MB5RJN0601	A3				
SIZE	TYPE	DWG NO.	REVISION												
B	C-	MB5RJN0601	A3												
NEXT ASSY:		SCALE: NONE	SHEET 1 OF 1												

TITLE: M23B,REC.,RA,6POS,FLANGE MOUNT,CHECKMATE
DWG NO.: MB5RJN0601
REV: A3
SH: 1
OF: 1