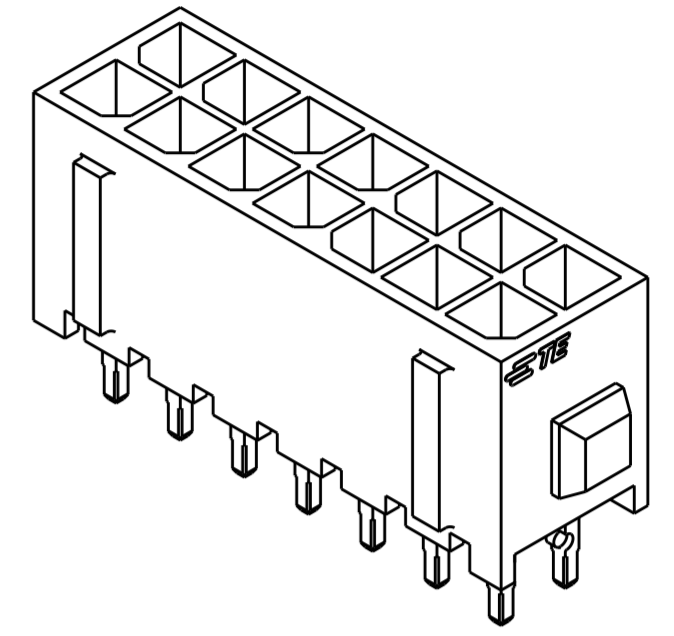
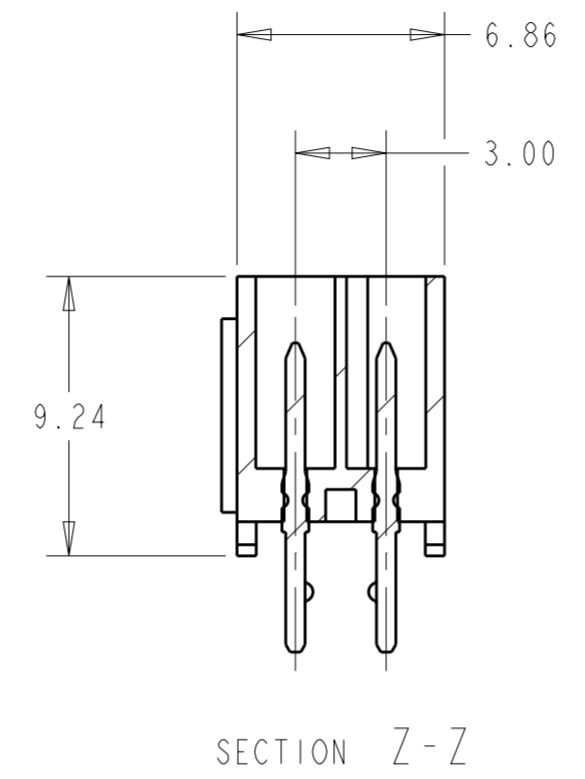
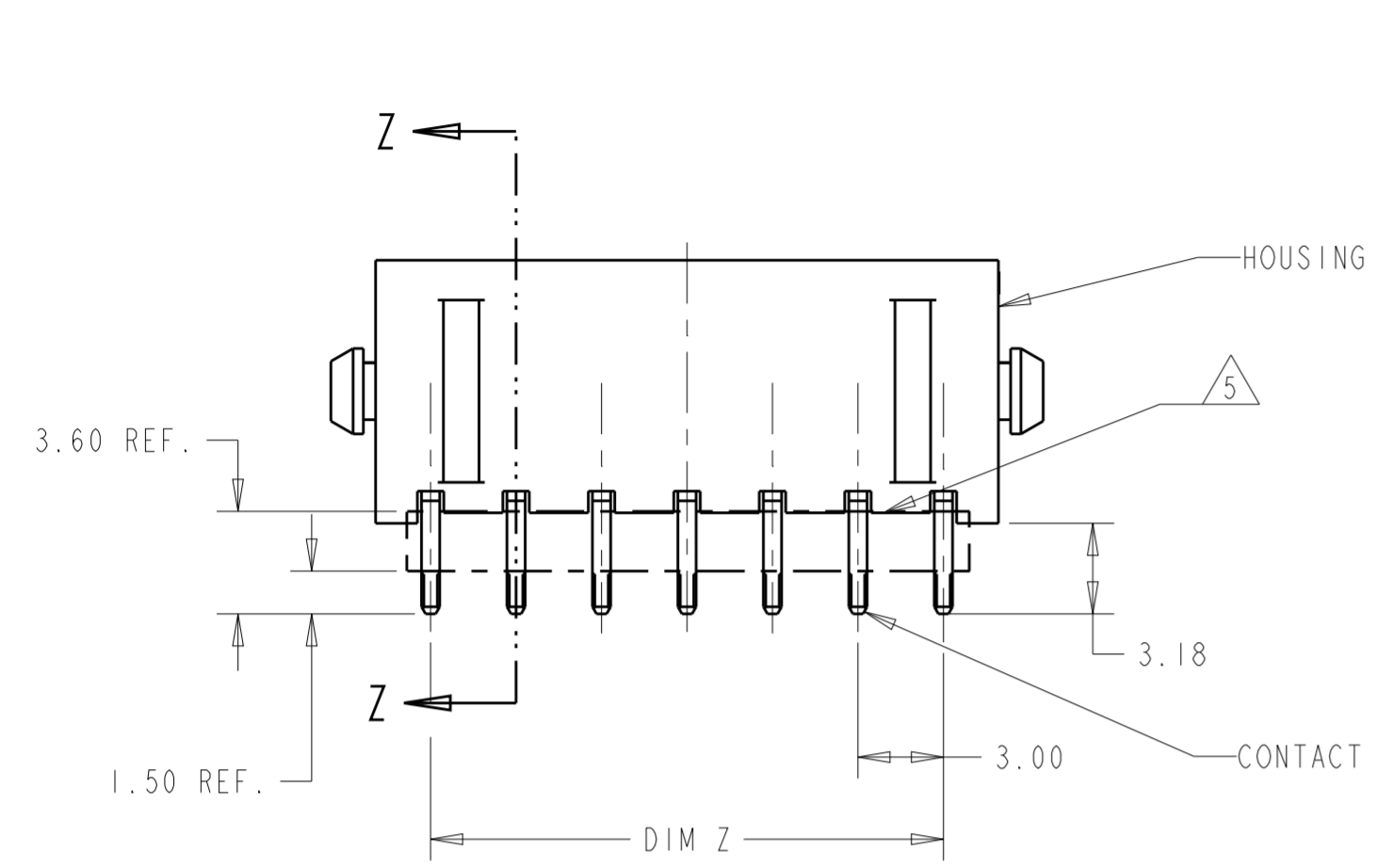
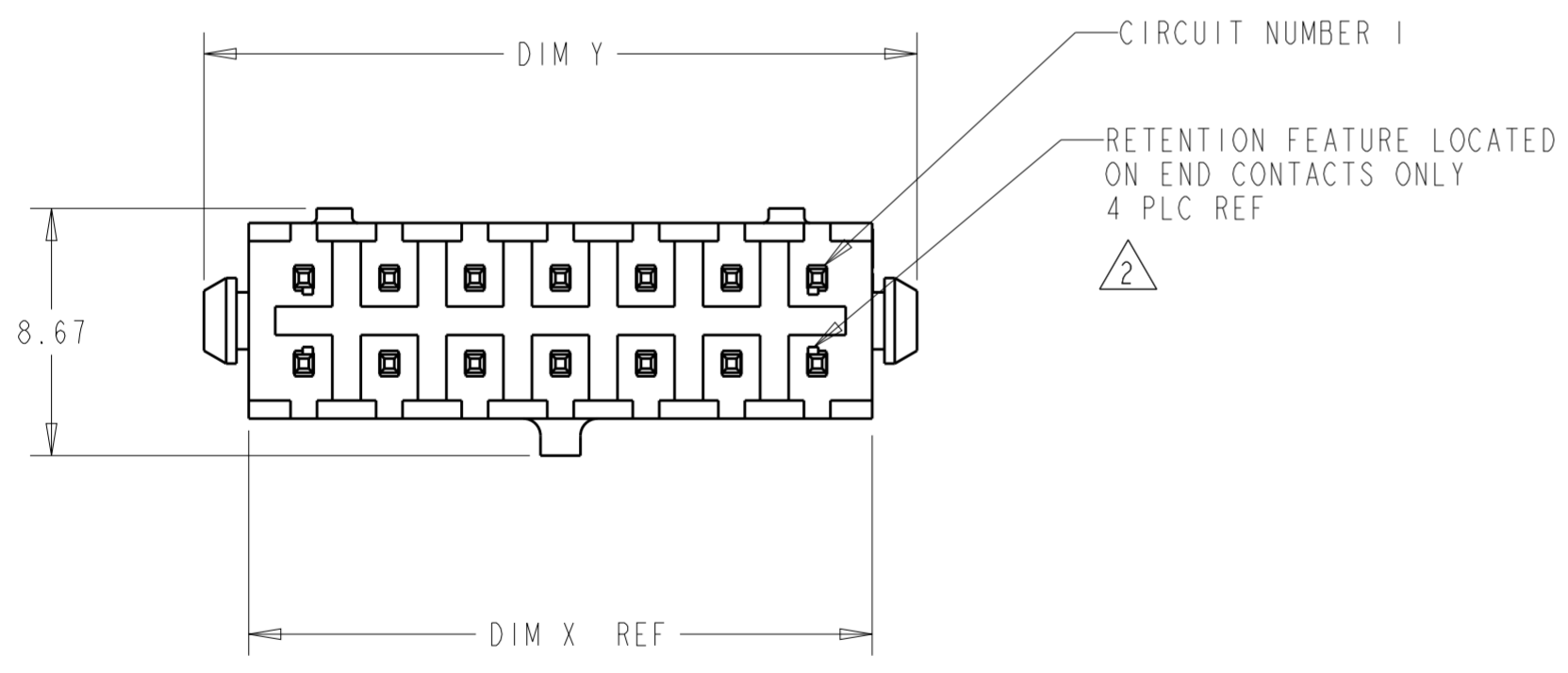


THIS DRAWING IS UNPUBLISHED. RELEASED FOR PUBLICATION
 © COPYRIGHT 20 BY - ALL RIGHTS RESERVED.

| REVISIONS | | | | |
|-----------|-----|---------------------------|-----------|--------|
| P | LTR | DESCRIPTION | DATE | APVD |
| F1 | | REVISED PER ECR-16-011494 | 21JUN2017 | NK CX |
| F2 | | ECO-19-006502 | 29APR2019 | AP WLS |
| F3 | | ECN-20-100750 | 10DEC2020 | WLS VS |



- 1 MATERIAL: HOUSING - UL 94V-0 RATED HIGH TEMP., NYLON, COLOR BLACK. CONTACT - BRASS.
- 2 MAXIMUM INSERTION 30 LBS.
- 3 RECOMMENDED BOARD THICKNESS 1.57.
- 4 FINISHING: CONTACT - 2.54µm MINIMUM MATTE TIN OVER 1.27µm MINIMUM NICKEL.
- 5 CUTTING AREA REGION, NO PLATING IS PRESENT.
- 6 COUNTERPART RECOMMENDED IS PN 794617 (DASH ACCORDING TO NUMBER OF POSITION).
- 7 FOR REELING DIRECTION AND PACKAGING TYPE, USE SPECIFICATION 114-13000.



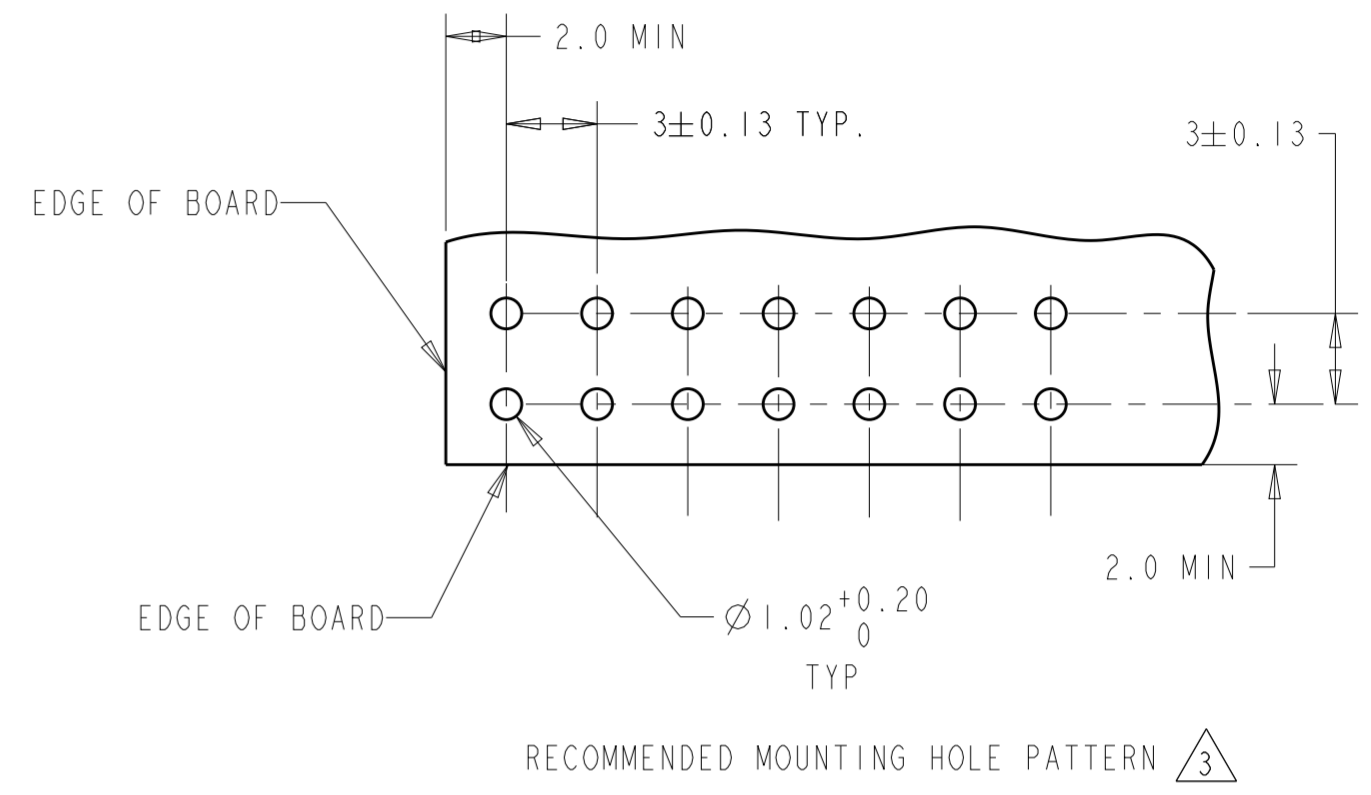
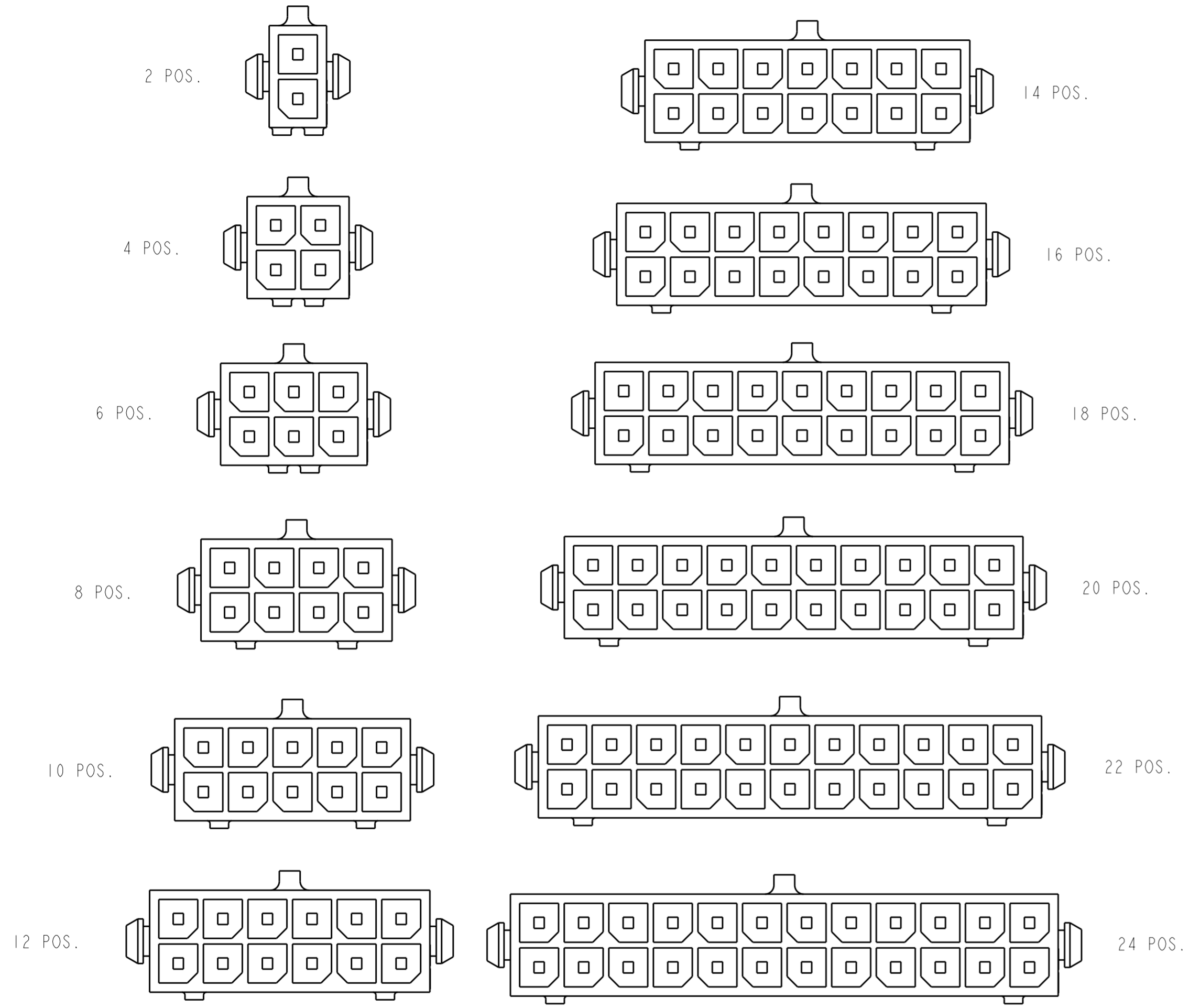
| | | | | |
|-------|-------|-------|--------------|------------|
| 40.00 | 33.00 | 36.86 | 24 | 5-794630-4 |
| 37.00 | 30.00 | 33.86 | 22 | 5-794630-2 |
| 34.00 | 27.00 | 30.86 | 20 | 5-794630-0 |
| 31.00 | 24.00 | 27.86 | 18 | 4-794630-8 |
| 28.00 | 21.00 | 24.86 | 16 | 4-794630-6 |
| 25.00 | 18.00 | 21.86 | 14 | 4-794630-4 |
| 22.00 | 15.00 | 18.86 | 12 | 4-794630-2 |
| 19.00 | 12.00 | 15.86 | 10 | 4-794630-0 |
| 16.00 | 9.00 | 12.86 | 8 | 3-794630-8 |
| 13.00 | 6.00 | 9.86 | 6 | 3-794630-6 |
| 10.00 | 3.00 | 6.86 | 4 | 3-794630-4 |
| 7.00 | - | 3.86 | 2 | 3-794630-2 |
| DIM Y | DIM Z | DIM X | NO. OF POSN. | ASSEMBLY |

3


| | | | | |
|--|--|---------------------------------|--|-------------------------------|
| THIS DRAWING IS A CONTROLLED DOCUMENT. | | DWN K. WHITAKER 20APR2005 | TE Connectivity | |
| DIMENSIONS: mm [INCHES] | | CHK C. JONES 20APR2005 | | |
| TOLERANCES UNLESS OTHERWISE SPECIFIED: | | APVD C. JONES 20APR2005 | NAME VERTICAL HEADER ASSEMBLY, THRU HOLE, TIN, DUAL ROW, MICRO MATE-N-LOK(TM) | |
| 0 PLC ± 1 PLC ± 2 PLC ±0.20 [.008] 3 PLC ± 4 PLC ± | | PRODUCT SPEC 108-1836 | SIZE A2 | |
| ANGLES ±° FINISH | | APPLICATION SPEC 114-13000 | CAGE CODE 00779 | DRAWING NO. G-794630 |
| MATERIAL | | WEIGHT - | RESTRICTED TO - | |
| 1 | | CUSTOMER DRAWING | | SCALE 4:1 SHEET 1 OF 2 REV F3 |

THIS DRAWING IS UNPUBLISHED. RELEASED FOR PUBLICATION
 © COPYRIGHT 20 BY - ALL RIGHTS RESERVED.

| REVISIONS | | | | |
|-----------|-----|-------------|------|------|
| P | LTR | DESCRIPTION | DATE | APVD |
| - | | SEE SHEET 1 | - | - |
| | | | | |
| | | | | |



KEYING BY POSITION SIZE

| | | | | |
|--|--|---------------------------------|---|--------------------|
| THIS DRAWING IS A CONTROLLED DOCUMENT. | | DWN K. WHITAKER 20APR2005 |  TE Connectivity | |
| DIMENSIONS: mm [INCHES] | | CHK C. JONES 20APR2005 | | |
| TOLERANCES UNLESS OTHERWISE SPECIFIED: | | APVD C. JONES 20APR2005 | NAME VERTICAL HEADER ASSEMBLY, THRU HOLE, TIN, DUAL ROW, MICRO MATE-N-LOK(TM) | |
| 0 PLC ±- 1 PLC ±- 2 PLC ±0.20 [.008] 3 PLC ±- 4 PLC ±- ANGLES ±1° FINISH - | | PRODUCT SPEC 108-1836 | SIZE A2 | CAGE CODE 00779 |
| MATERIAL - | | APPLICATION SPEC 114-13000 | DRAWING NO. G-794630 | RESTRICTED TO - |
| | | WEIGHT - | SCALE 4:1 SHEET 2 OF 2 REV F3 | |
| | | CUSTOMER DRAWING | | |