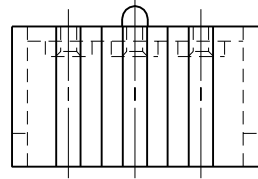
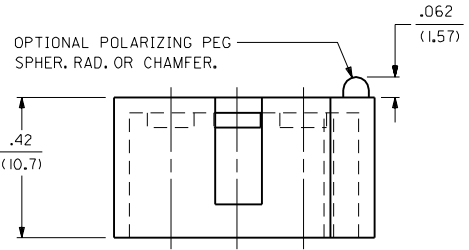
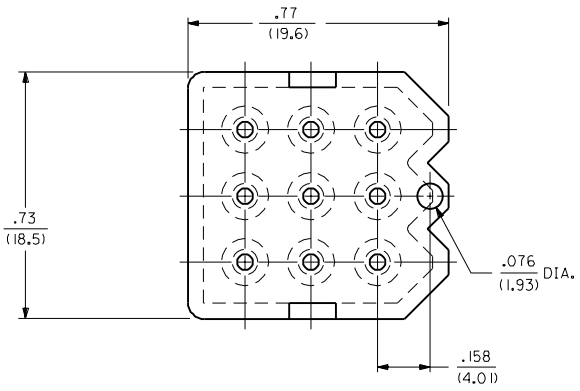
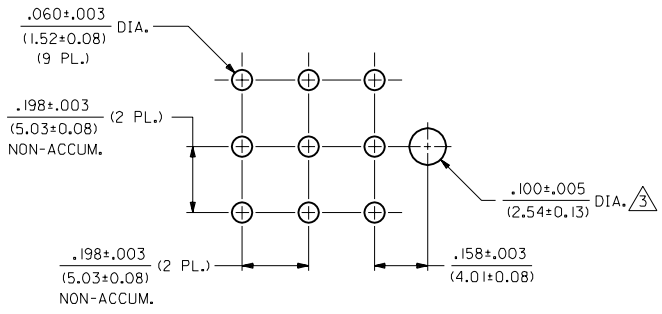
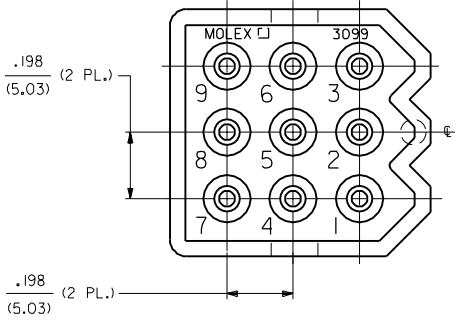


| PART NO. | ENG. NO. | POLARIZING PEG OPTION |
|------------|----------|-----------------------|
| 50-29-1409 | 3099-9A1 | WITH |
| 50-29-1459 | 3099-9B1 | WITHOUT |
| | | |
| | | |



- NOTES:
- THIS HOUSING FOR USE WITH STANDARD .093/(2.36) SERIES RECEPTACLES.
 - MATERIAL:
I- UNFILLED POLYESTER, 94V-0, COLOR-BLACK.
 - ONLY REQUIRED WHEN USING PARTS WITH OPTIONAL POLARIZING PEG.
 - THIS HOUSING ACCEPTS 1840 SERIES PIN AND SOCKET TERMINALS.
 - PARTS TO BE MOUNTED ON SUPPORTED EDGE OF P.C. BOARD.
 - WHERE MALE TERMINALS ARE USED, MATING CONNECTOR TO USE FEMALE TERMINAL WITH CLOSED SLOT IN BARREL.



| REV. | DESCRIPTION |
|------|--|
| G | CHG. COLOR TO BLK ECN #14 0193 2-24-94 RW |
| F | MAT'L WAS GLASS FIL'D. ECR U3 1659 11/10/93 RW |
| E | DEL MAT'L OPT. 2 ECR U2-1469 AFC 92-10-09 RW |
| D | REVISE V-0 MAT'L. ECR U2 0079 1/17/92 RW |
| C | REV PER DETAIL ECR #190942 KBW 08-08-89 RW |
| B | REVISED PER ECR #190347 GEP 5-25-89 RW |
| A | FINAL REL. PER ERO 27914 GEP 2-9-89 RW |
| I | **X* REL. PER ERO 21600 GEP 1-16-89 RW |

| | | | | |
|--|--------|--|-------|---------------------------|
| DIMENSIONS SHOWN METRIC INCH | | ▽ = 0 | ▼ = 0 | REVISE ONLY ON CAD SYSTEM |
| UNLESS OTHERWISE SPECIFIED: TOLERANCES ANGULAR ± .04 | | TITLE | | |
| INCH METRIC | | 9 CKT. HOUSING, ENCLOSED HEADER, .198/(5.03) CENTERS | | |
| 3 PLACE ± .010 | --- | MOLEX INCORPORATED | | |
| 2 PLACE ± .014 | ± 0.25 | SHEET NO. 1 OF 1 | | |
| 1 PLACE --- | ± 0.35 | DATE 1/16/89 | | |
| DRAFT WHERE APPLICABLE MUST REMAIN WITHIN DIMENSIONS | | PART NO. SD-3099-9 | | |
| DRWG. BY CEP | | DRAWING NO. SD-3099-9 | | |
| CHK'D. BY RW | | FILE NAME S3099X1 | | |
| APP'D. BY RAS | | SCALE 4 : 1 | | |
| THIS DRAWING CONTAINS INFORMATION THAT IS PROPRIETARY TO MOLEX INC. AND SHOULD NOT BE USED WITHOUT WRITTEN PERMISSION. | | DIV. CP | | |