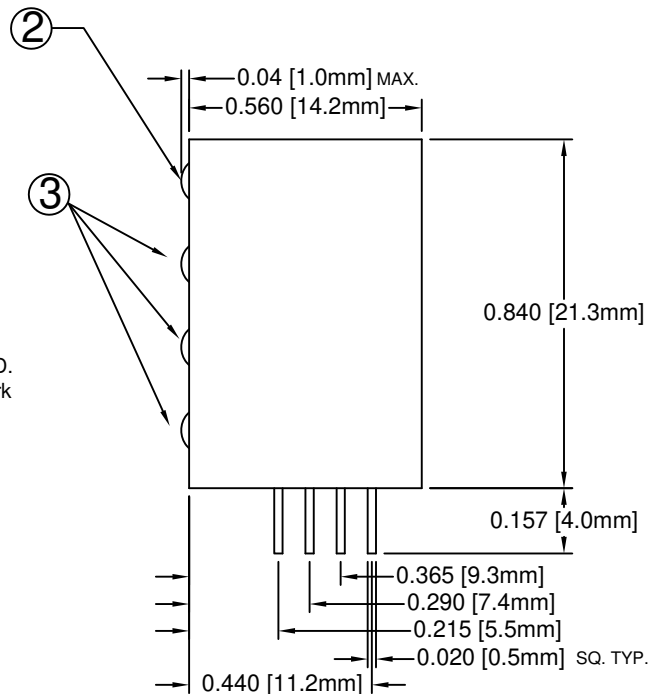
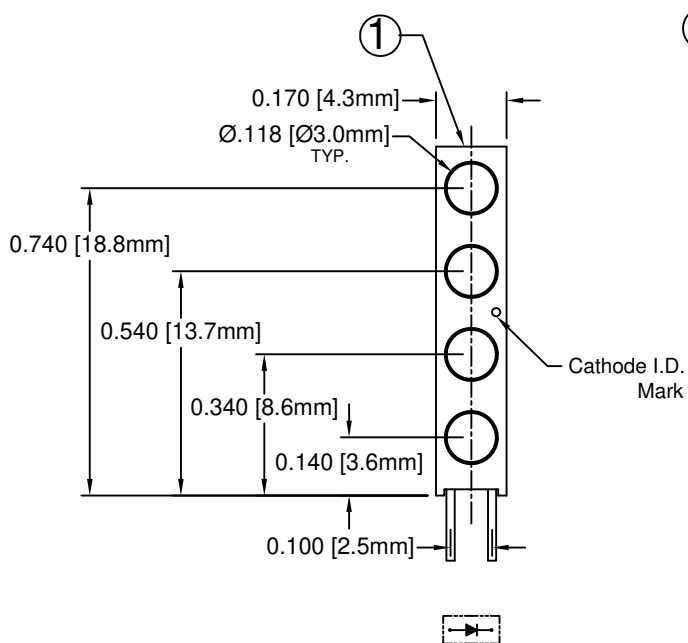


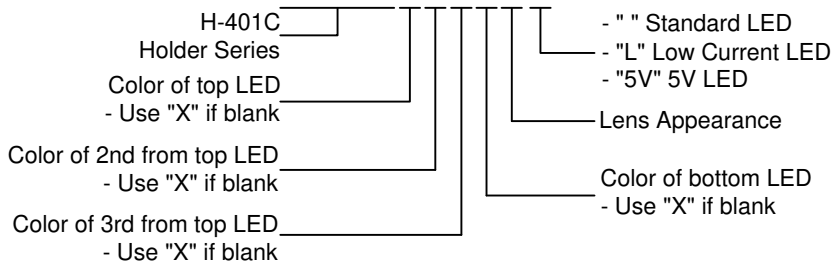
ITEM	Q'TY	PART NUMBER	PART DESCRIPTION
1	1	H-401C	T-1 (3mm) Quad-Level LED Holder, 90° Mount
2	1	3XX-LL	T-1 (3mm) N-Flange LED, Long Leads
3	3	3XX-S	T-1 (3mm) N-Flange Shouldered LED, See Page 2

REV.	DESCRIPTION	DATE	APPROVED
E	Updated Protrusion and H401CRDL	03/13/08	M. C.
F	Updated to Previous Protrusion	04/10/08	M. C.
G	Updated P/N Designation Note and Protrusion	11/10/08	T. Y.
H	Added H401CAD Specs	04/13/09	T. Y.
J	Engineering Update w/o Changes	08/04/16	J. C.



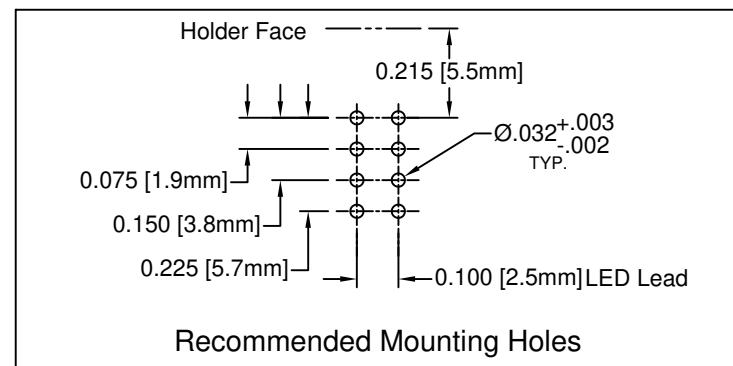
**NOTE: P/N DESIGNATION**

**H401CXXXXDX**



-If LEDs are the same,  
use e.g. H401CGD

All Green Diffused LEDs




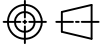
**ABSOLUTE MAXIMUM RATINGS (Ta=25° C)**

REVERSE VOLTAGE	_____	5V
REVERSE CURRENT	_____	100µA
OPERATING TEMPERATURE RANGE	_____	-25° C - 85° C
STORAGE TEMPERATURE	_____	-30° C - 100° C
LEAD SOLDERING TEMPERATURE(1/16" FROM BODY)	_____	260° C FOR 5 SECONDS

STANDARD TOLERANCE (UNLESS OTHERWISE SPECIFIED)		 4 THOMAS, IRVINE, CA. 92618 TEL: (949) 951-8808 FAX: (949) 951-3974			
DECIMALS	ANGULAR				
.X ± .1	X° ± 1°	 <b>TITLE:</b> T-1 (3mm) SINGLE STATION 90° QUAD-LEVEL ASSEMBLY			
.XX ± .02					
.XXX ± .010		<b>DESIGNED:</b> T. Yin	<b>DATE:</b> 03/08/04	<b>PART NO:</b> H401CXX	<b>REVISION:</b> J
<b>CHECKED:</b> D. Green		<b>DATE:</b> 03/08/04		<b>CAGE CODE :</b> 32559 <b>SHEET #</b> 1 <b>OF</b> 2	
CAD GENERATED DOCUMENT. DO NOT MEASURE DRAWING.					

REV.	DESCRIPTION	DATE	APPROVED
	SEE SHEET #1		

LED Assy. No.	Peak Wave Length $\lambda_p$ (nm)	Emitted Color	Lens Appearance	Electro-Optical Data				Viewing Angle 2 $\theta$ 1/2 (Deg)	LED P/N
				If (mA)	Vf (V)		Iv (mcd)		
				TYP	TYP	MAX	TYP		
<b>STANDARD</b>				<b>Data @ 20m A</b>					
H401CAD	605	AMBER	DIFFUSED	20	2.0	2.8	25	40	3AD-S
H401CBWD	430	BLUE	DIFFUSED	20	4.0	4.5	10	40	3BWD-S
H401CGD	568	GREEN	DIFFUSED	20	2.1	2.8	25	40	3GD-S
H401CYD	590	YELLOW	DIFFUSED	20	2.0	2.8	20	40	3YD-S
H401CHD	625	HE RED	DIFFUSED	20	2.0	2.8	30	40	3HD-S
H401CRD	700	RED	DIFFUSED	20	2.1	2.8	2	40	3RD-S
H401CSR	645	SUPER RED	DIFFUSED	20	1.7	2.4	40	40	3SRD-S
<b>LOW CURRENT</b>				<b>Data @ 2m A</b>					
H401CGDL	568	GREEN	DIFFUSED	2	2.1	2.6	2	40	3GDL-S
H401CYDL	590	YELLOW	DIFFUSED	2	2.0	2.6	2	40	3YDL-S
H401CHDL	625	HE RED	DIFFUSED	2	2.0	2.6	3	40	3HDL-S
H401CRDL	700	RED	DIFFUSED	2	2.1	2.6	0.5	40	3RDL-S
<b>5 VOLT</b>				<b>Data @ 5V</b>					
H401CGD5V	568	GREEN	DIFFUSED	8	-	5.0	25	40	3GD5V-S
H401CYD5V	590	YELLOW	DIFFUSED	8	-	5.0	20	40	3YD5V-S
H401CHD5V	625	HE RED	DIFFUSED	8	-	5.0	30	40	3HD5V-S

STANDARD TOLERANCE ( UNLESS OTHERWISE SPECIFIED ) $\pm 10\%$ ALL VALUES    ANGULAR		 <b>BIVAR</b> <sup>®</sup> 4 THOMAS, IRVINE, CA. 92618 TEL: (949) 951-8808    FAX: (949) 951-3974	
			
DESIGNED: <b>T. Yin</b>	DATE: <b>03/08/04</b>	<b>PART NO:</b> H401CXX	
CHECKED: <b>D. Green</b>	DATE: <b>03/08/04</b>	<b>REVISION:</b> J	
		<b>CAGE CODE :</b> 32559 <b>SHEET #</b> 2 OF 2	
CAD GENERATED DOCUMENT. DO NOT MEASURE DRAWING.			