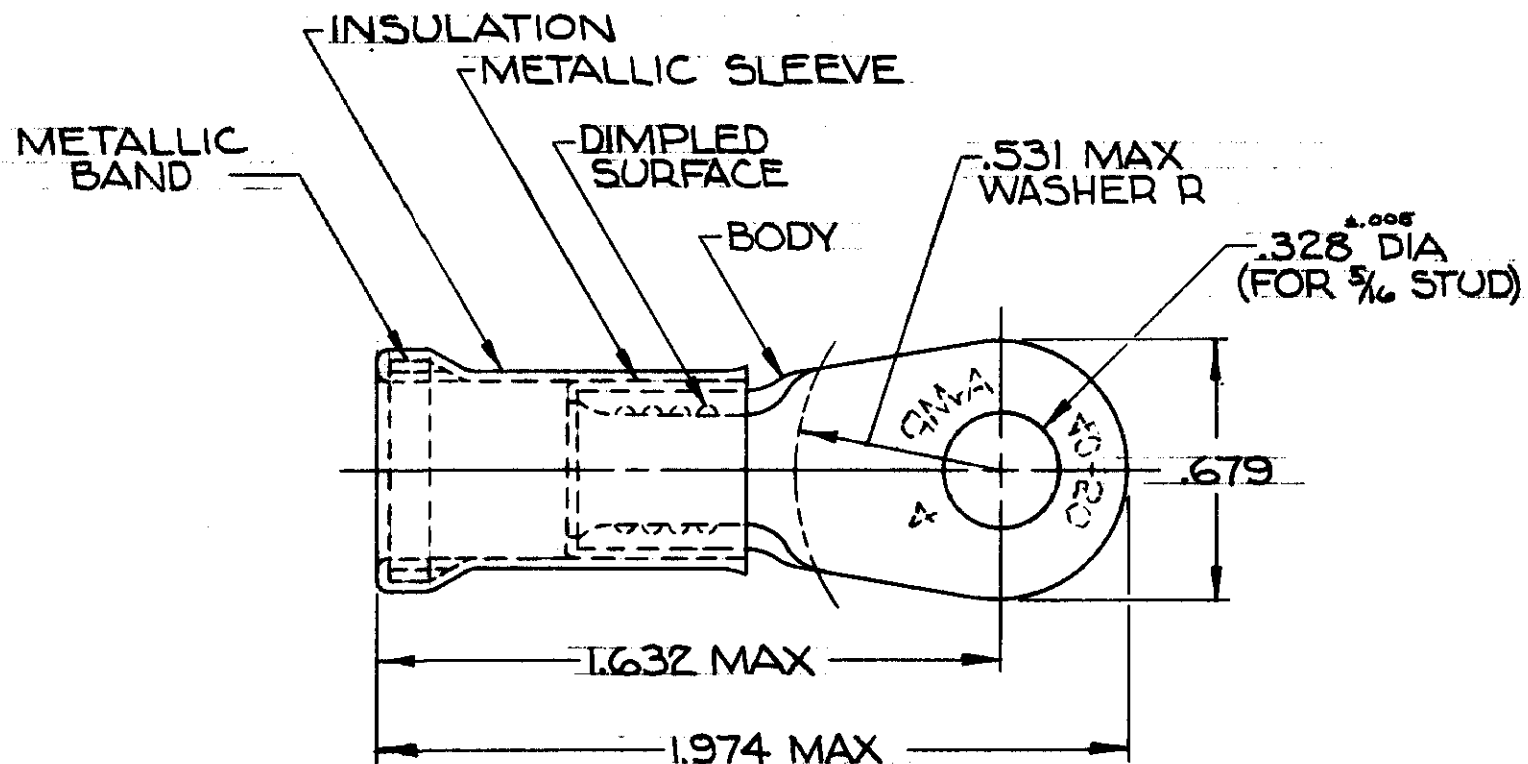


© 1960 BY AMP INCORPORATED. ALL RIGHTS RESERVED. AMP PRODUCTS COVERED BY PATENTS AND/OR PATENTS PENDING.

| REVISIONS |     |  |            |          |
|-----------|-----|--|------------|----------|
| ZONE      | LTR | DESCRIPTION  | DATE       | APPROVED |
|           | C   | REDRAWN, UPDATED & ADDED 2-322010-3 <sup>M</sup><br>NPS 68-0659 (REV 2)                  | 8-14-69    | JME      |
|           | D   | PER ECN P-7000   | 12-12-71   | CEW      |
|           | E   | INACTIVE, REACTIVE 2-322010-1 PER P-9263 & P-9346<br>INACTIVATED 2-322010-2 & 2-3 P-9263 | 3-17-82    | DDT/DJM  |
|           | F   | 2-1 INACTIVE PER P-9909  | APF 3-2-83 | 2        |
|           | G   | OBS. 2-1, 2-2, 2-3 / G-2409  | 3-18-87    |          |
|           | H   | REV G-4680   | TMS 5-6-88 | ST       |



FOR "A" MAX WIRE INSULATION DIA.  
TONGUE MATERIAL THK. = .048 ± .003

1. TIN PL (MIL-T-10727)
2. SILVER PL (QQ-5-365) .0002 MIN EXT THK
3. GOLD PL (MIL-G-45204) TYPE II .00005 MIN EXT THK OVER  
NICKEL PL (QQ-N-290) .00003 MIN EXT THK

|   |               |                                    |   |
|---|---------------|------------------------------------|---|
|   | TAPE MOUNTED  | 2-322010-4                         | 322010  |
| T   | WIRE TERMINAL | SEE TABLE II                       | METALLIC BAND: STEEL QQ-5-698 (ASTM A109)       |
|   |               |                                    | INSULATION: YELLOW PVC                          |
|   |               |                                    | METALLIC SLEEVE: COPPER (QQ-C-576)              |
|   |               |                                    | BODY: COPPER (QQ-C-576)<br>FINISH: SEE TABLE II |
| QTY   | DESCRIPTION   | PART NO.                           | MATERIAL & FINISH                               |
| UNLESS OTHERWISE SPECIFIED DIMENSIONS ARE IN INCHES |               | CONTRACT NO. —H—                   | AMP INCORPORATED<br>HARRISBURG, PENNSYLVANIA    |
| TOLERANCES ON:<br>DECIMALS ±.008<br>ANGLES ±5°      |               | DR. <i>P.C. Youngblood</i> 8-12-69 |   |
| MATERIAL  | CHK           | <i>J.M. Enominger</i> 8-14-69      | NAME WIRE TERMINAL                              |
|   | APPD          | <i>Swibel</i> 8-15-69              | AMPLI-BOND-RING TONGUE                          |
|   | REL           | <i>J.M. Enominger</i> 8-18-69      | WIRE SIZE: 4                                    |
|   | DSGN APPD     | <i>J.M. Enominger</i>              | SIZE B  |
| SEE TABLE I   | OTHER APPD    |                                    | CODE IDENT NO. 00779                            |
|   |               |                                    | NUMBER 322010                                   |
|   |               |                                    | SCALE 2:1                                       |
|   |               |                                    | SHEET 1 OF 1                                    |

TABLE II

|            |        |      |
|------------|--------|------|
| 2-322010-3 | NOTE 1 | .505 |
| 2-322010-2 | NOTE 3 |      |
| 2-322010-1 | NOTE 2 | .436 |
| 322010     | NOTE 1 |      |
| PART NO.   | FINISH | "A"  |

← ← ← OBSOLETE