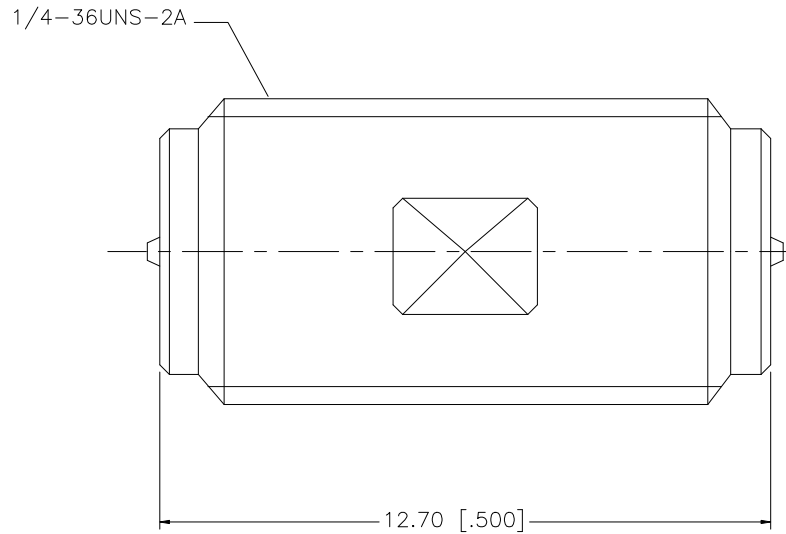


REV.	DATE	ECR NO.	DESCRIPTION
NC	03/25/08	-	INITIAL RELEASE
A	11/22/08	-	REVISE BODY CONFIGURATION



8				<small>UNLESS OTHERWISE SPECIFIED DIMENSIONS ARE IN MILLIMETERS. DIMENSIONS IN [] ARE IN INCHES AND FOR CUSTOMER REFERENCE ONLY.</small> <small>UNLESS OTHERWISE SPECIFIED TOLERANCES FOR MILLIMETERS ARE:</small> 0.5 - 8mm ± 0.20mm 8 - 30mm ± 0.40mm 30 - 120mm ± 0.50mm <small>UNLESS OTHERWISE SPECIFIED TOLERANCES FOR INCHES ARE:</small> .020 - .315 = ± 0.007" .315 - 1.180 = ± 0.015" 1.180 - 4.724 = ± 0.020"	APPROVALS	DATE	<h1 style="color: blue; text-align: center;">Amphenol Connex</h1>								
7					DRAWN	GRS					11/22/08	PART DESCRIPTION SMA R/P JACK TO R/P JACK			
6					CHECKED			PART NO. 132169RP-RP							
5					ISSUED										
4					SHEET	1 OF 1		REV. A SIZE A SCALE NA							
3	CONTACT PIN	BRASS	GOLD	1	CAD FILE										
2	INSULATOR	PTFE	NATURAL	1	C:/132/132169RP-RP.DWG										
1	HOUSING/BODY	BRASS	GOLD	1	DO NOT SCALE DRAWING										
	DESCRIPTION	MATERIAL	FINISH	QTY											