

**SAFETY ORGANIZATIONS**

THIS FILTER HAS BEEN FORMALLY RECOGNIZED, CERTIFIED OR APPROVED BY THE LISTED AGENCY. THEREFORE, ALL TEST/REQUIREMENTS SPECIFIED IN THE LATEST REVISION OF THE FOLLOWING AGENCY STANDARDS HAVE BEEN MET:

UL RECOGNIZED: UL 60939-3

**OPERATING SPECIFICATIONS**

LINE CURRENT/VOLTAGE: 5.0 AMP/90°C, 480 VAC 50-60Hz  
5.0 AMP/90°C, 480 VDC

MAXIMUM LEAKAGE CURRENT,  
EACH LINE TO GROUND: 0.28 mA @ 277V 60Hz  
0.21 mA @ 250V 50Hz

OPERATING AMBIENT TEMP. RANGE: -40°C TO +90°C @ RATED CURRENT, I<sub>r</sub>.

IN AN AMBIENT, T<sub>a</sub>, HIGHER THAN 90°C, THE MAXIMUM OPERATING CURRENT, I<sub>o</sub>, IS AS FOLLOWS:

$$I_o = I_r \sqrt{\frac{100 - T_a}{10}}$$

**RELIABILITY SPECIFICATIONS:**

STORAGE TEMPERATURE: -40°C TO +100°C  
HUMIDITY: 21 DAYS @ 40°C 95% RH.  
CURRENT OVERLOAD TEST: 6 TIMES I<sub>r</sub> FOR 8 SECONDS

**TEST SPECIFICATIONS:**

INDUCTANCE: 0.51 mH NOMINAL  
0.51 mH NOMINAL  
CAPACITANCE: (MEASURED @ 1 kHz, 0.250VAC MAX., 25°C±1°C)  
LINE TO GROUND: 0.0044µF ± 20 %  
LINE TO LINE: 0.011µF ± 20 %  
DISCHARGE RESISTOR: 20 MEGOHM  
L/G AND L/L I.R.  
NO DISCHARGE RESISTOR: 6000MEGOHM (MIN.) 100VDC 20°C AND 50% RH

**RECOMMENDED RECEIVING INSPECTION HIPOT:**

LINE TO GROUND: 2250 VDC FOR 1 MINUTE  
LINE TO LINE: 2775 VDC FOR 1 MINUTE

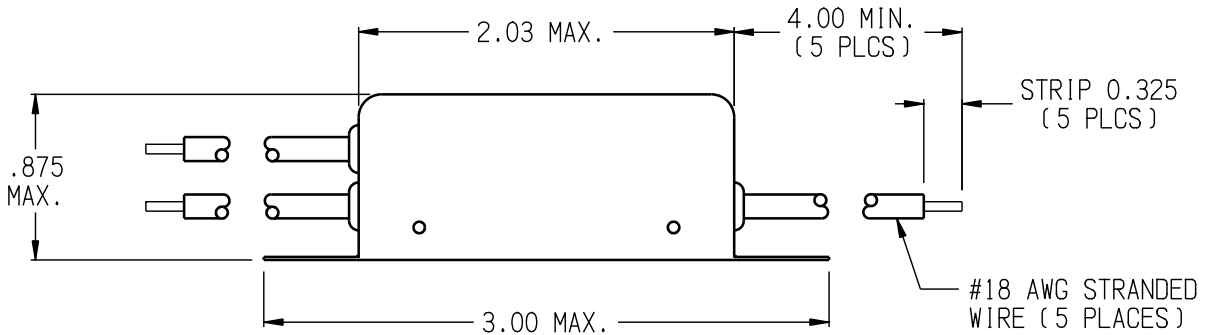
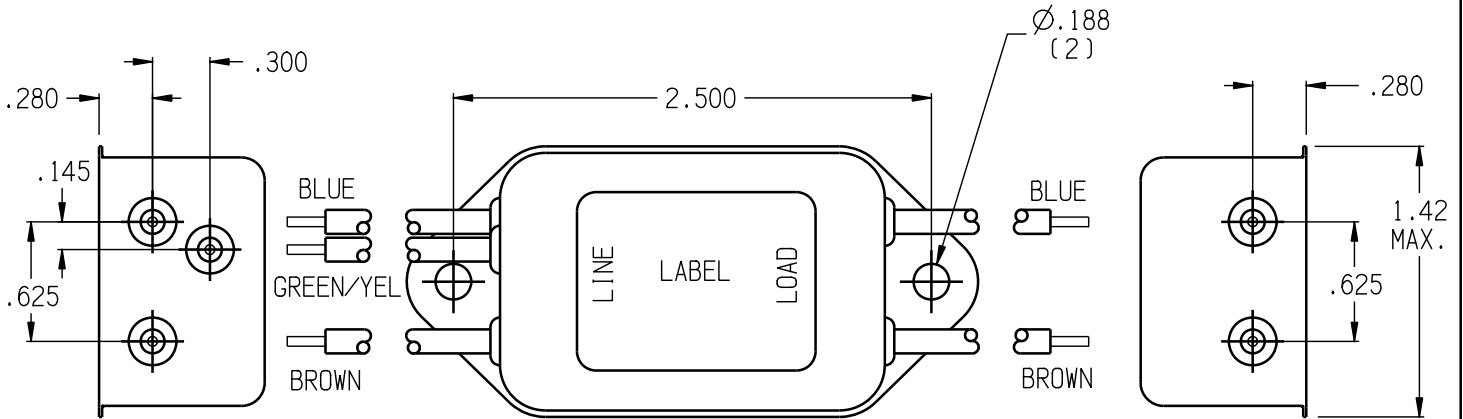
**FILTER APPROVAL:**

THE BEST WAY TO SELECT AND QUALIFY A FILTER IS FOR YOUR ENGINEERING TO TEST THE UNIT IN YOUR EQUIPMENT.

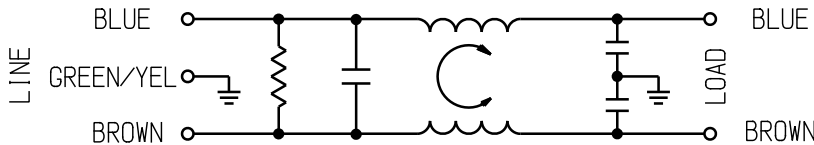
**CUSTOMER DRAWING**

CATALOG # 5FBH3

ECN#	APPRVD	DATE



**ELECTRICAL SCHEMATIC**



**50 Ω - 50 Ω (TYPICAL) INSERTION LOSS**

FREQUENCY MHz	.03	.05	.1	.15	.5	1.0	2.0	5.0	10	20	30	/
COMMON dB	3	6	11	15	21	24	28	35	40	48	61	/
DIFF. dB	0	0	0	1	5	10	15	18	53	60	78	/

PARTS SHALL COMPLY WITH TYCO ELECTRONICS 138-702 SPECIFICATION FOR HAZARDOUS SUBSTANCES

UNLESS OTHERWISE SPECIFIED  
TOLERANCE TO BE ±0.025  
MATERIAL & FINISH: AS SUPPLIED

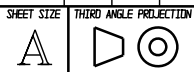
NOTES:



**RFI FILTER**

TYCO ELECTRONICS PART NO. 3-1609028-1

SCALE: 1:1	DATE: 29OCT19	DRAWING NUMBER: 5FBH3	REV. A
DRW. BY: LJD	DRIG: JB		



THIS INFORMATION IS CONFIDENTIAL AND PROPRIETARY TO TYCO ELECTRONICS CORPORATION AND ITS WORLDWIDE SUBSIDIARIES AND AFFILIATES. IT MAY NOT BE DISCLOSED TO ANYONE OTHER THAN TYCO ELECTRONICS PERSONNEL, WITHOUT WRITTEN AUTHORIZATION FROM TYCO ELECTRONICS CORPORATION.  
HARRISBURG, PENNSYLVANIA USA.

5FBH3-A.cxd