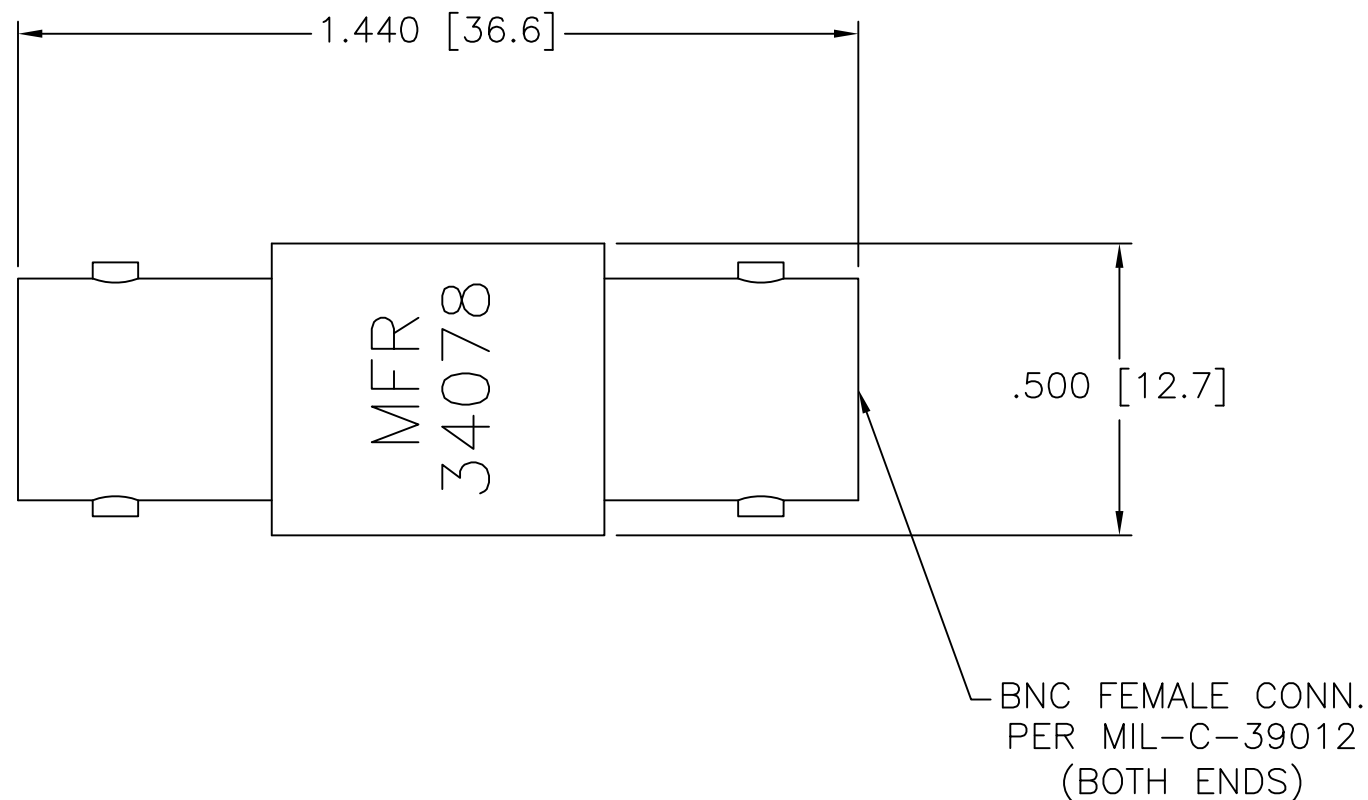


MODEL NUMBER
ADT-2829-FF-BNC-10

NOTES:

- 1.0 MATERIALS:
 - 1.1 HOUSING (BNC): HALF HARD BRASS PER ASTM B16.
 - 1.2 HOUSING (BARREL): STAINLESS STEEL PER ASTM-A582, TYPE 303.
 - 1.3 CENTER CONTACT: BERYLLIUM COPPER ROD ALLOY C172, PER ASTM-B196.
 - 1.4 DIELECTRIC: PTFE FLUOROCARBON PER ASTM-D1457.
- 2.0 PLATING:
 - 2.1 HOUSING(BNC): NICKEL PER QQ-N-290.
 - 2.2 HOUSING(BARREL): PASSIVATED PER MIL-F-14072 AND QQ-P-35
 - 2.3 CENTER CONTACT: GOLD PER MIL-G-45204 TYPE II, CLASS 2
- 3.0 MECHANICAL:
 - 3.1 INTERFACE PER MIL-STD-348, FIG. 301-2 IN ACCORDANCE WITH MIL-A-55339.
 - 3.2 CENTER CONTACT CAPTURED IN ACCORDANCE WITH MIL-A-55339.
- 4.0 ELECTRICAL:
 - 4.1 FREQUENCY RANGE: DC to 4.0 GHz
 - 4.2 VSWR: 1.25:1 MAXIMUM.
 - 4.3 IMPEDANCE: 50 OHMS
- 5.0 MARK UNIT AS SHOWN USING BLACK INK.
- 6.0 DIMENSIONS IN BRACKETS ARE MILLIMETERS.

ALL OTHER MECHANICAL, ELECTRICAL, AND ENVIRONMENTAL CHARACTERISTICS ARE IN ACCORDANCE WITH MIL-A-55339



DATE	6/22/93
DESCRIPTION	RELEASED
REV.	-

NOTICE: The information contained in this drawing is proprietary and must not be used without the permission of Emerson Network Power.	CAGE CODE 34078	MIDWEST MICROWAVE	
	 EMERSON Network Power Connectivity Solutions		TITLE ADAPTER BNC JACK/JACK OUTLINE DRAWING
UNLESS OTHERWISE NOTED DIMENSIONS ARE IN INCHES AND TOLERANCES ARE: 3 PLACE DECIMALS ±.005 2 PLACE DECIMALS ±.02 FRACTIONS ±1/64 PARALLELITY: T.I.R. _____ FLATNESS: T.I.R. _____ CONCENTRICITY: T.I.R. _____ ANGLES AND PERPENDICULARITY: ±1°	DRAWN/DATE M.HOLLMAN 5/16/93	ENG./DATE A.OSGA 6/22/93	DRAWING NUMBER ADT-2829-FF-BNC-10-01
	CHECKED/DATE A.BEATTY 6/22/93	APPROVED/DATE	REV. -
SCALE: 3=1		SHEET 1 of 1	