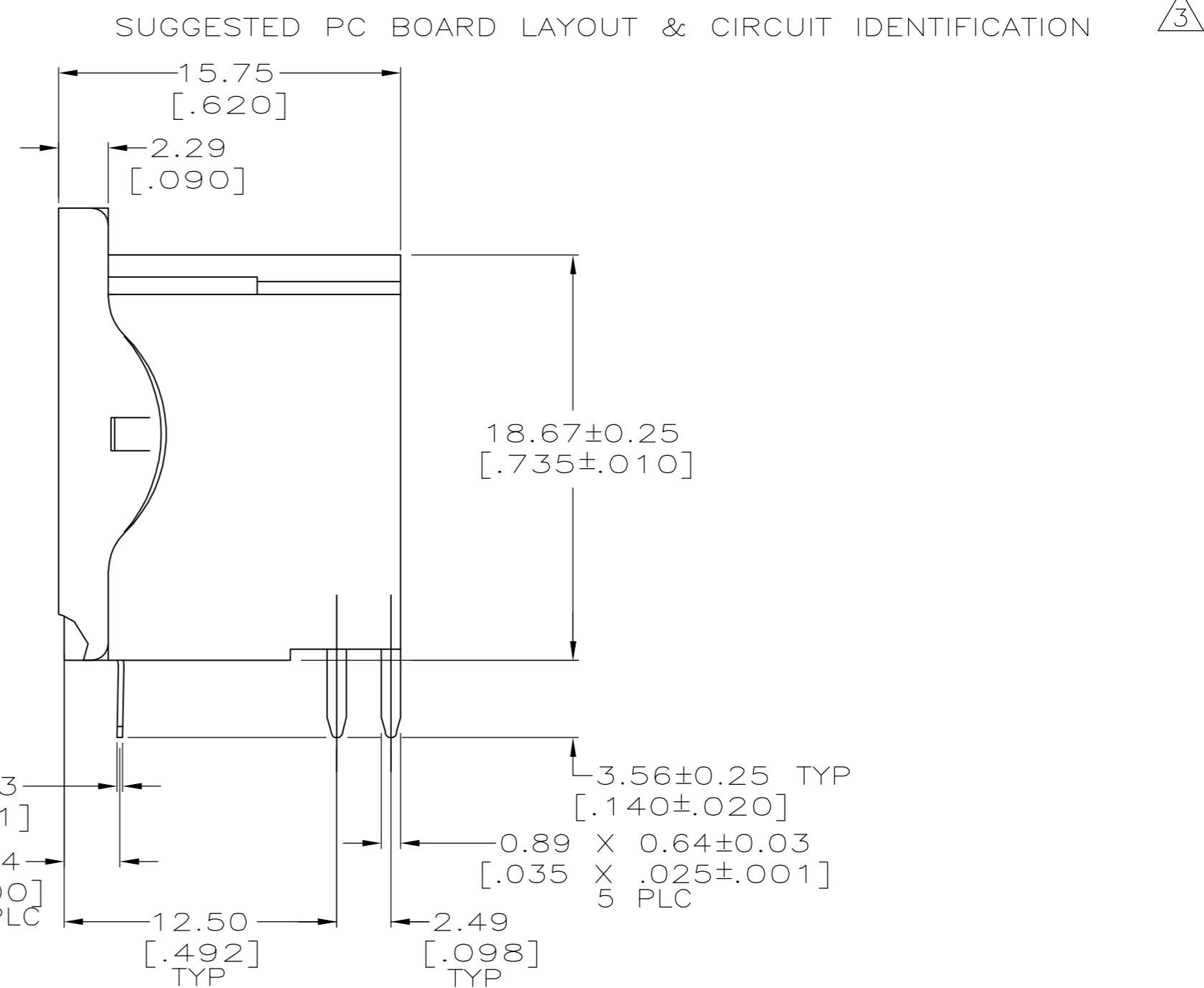
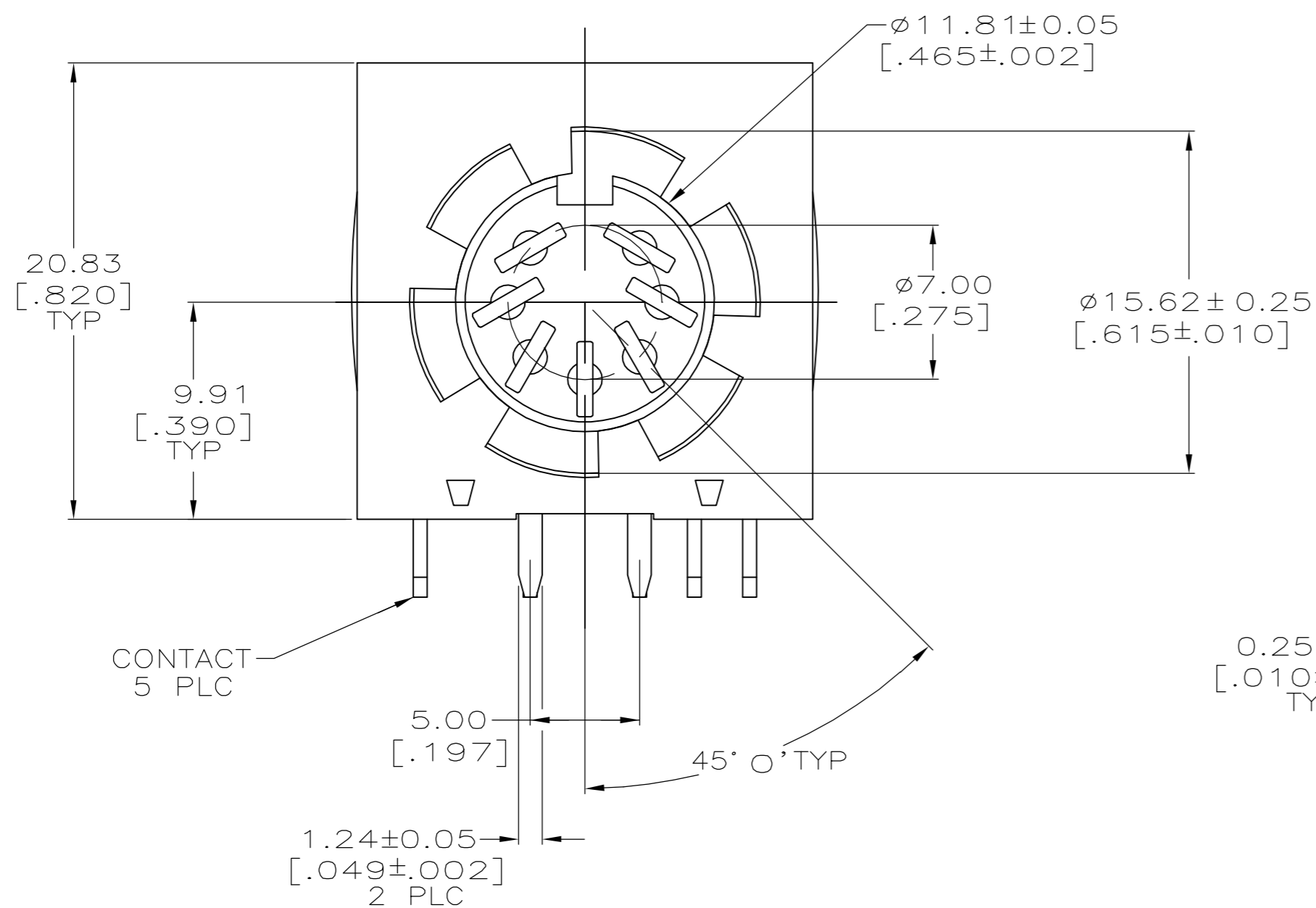
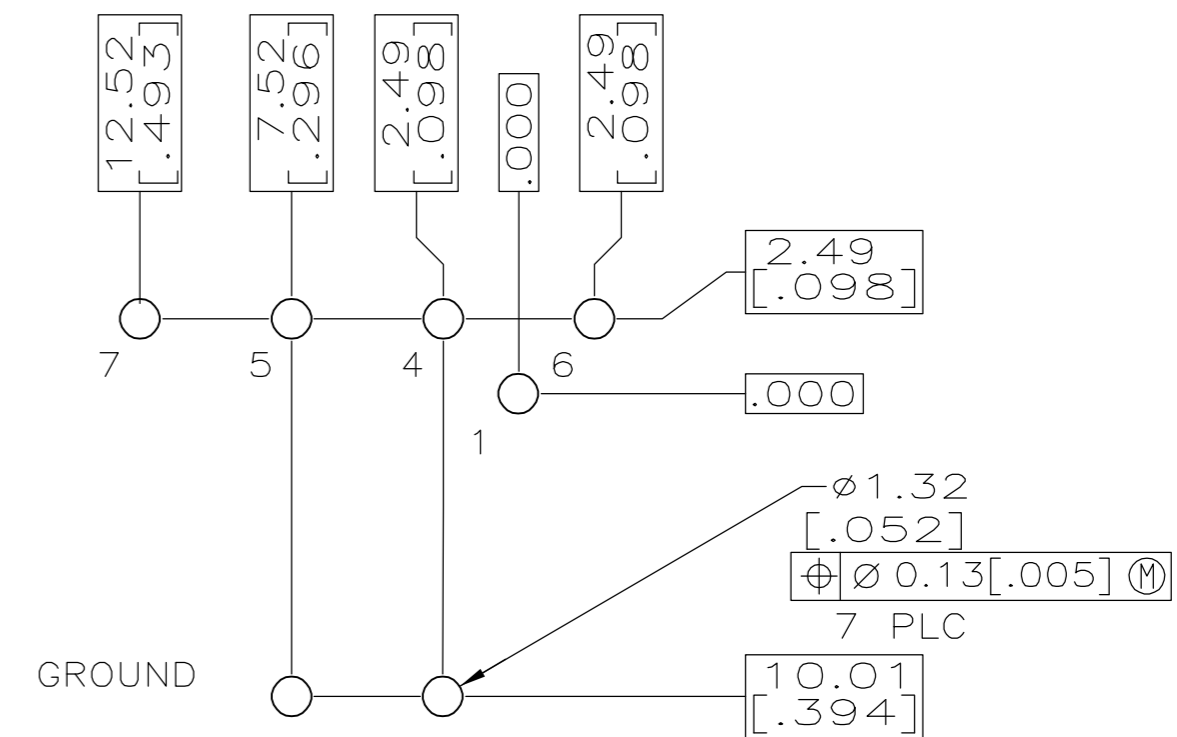
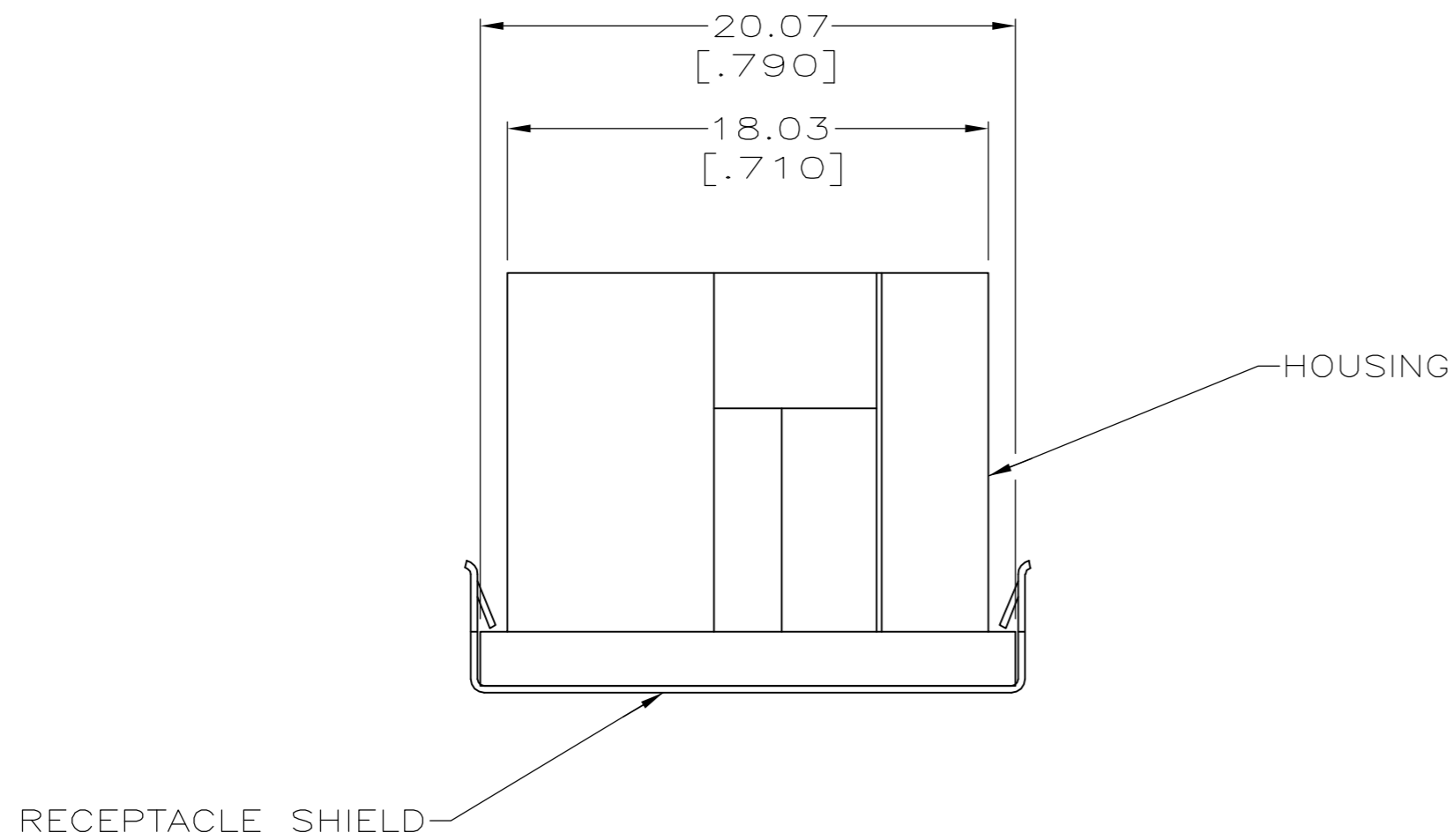


THIS DRAWING IS UNPUBLISHED. RELEASED FOR PUBLICATION
 © COPYRIGHT BY TYCO ELECTRONICS CORPORATION. ALL RIGHTS RESERVED.

LOC		DIST		REVISIONS			
P	LTR	DESCRIPTION		DATE	DWN	APVD	
GP	00	01		REVISED PER ECO-07-008008	10APR07	JDP/CWR	



- 1 HOUSING: NYLON, UL 94V-0 RATED, BLACK.
- 2 CONTACTS & RECEPTACLE SHIELD: 2.54µm [.000100] MIN TIN OVER 1.27µm [.000050] MIN NICKEL.
- 3 CIRCUIT IDENTIFICATION IS BASED ON THE INDUSTRY STANDARD. THE VIEW OF THE COMPONENT SIDE OF THE PANEL.
- 4 CONTACTS & RECEPTACLE SHIELD: BRASS.
- 5. CIRCUITS 2 AND 3 ARE WITHOUT CONTACTS.

5520841
 5520841-1
 PART NUMBER

THIS DRAWING IS A CONTROLLED DOCUMENT.		DWN L. VARELA 11-12-04	Tyco Electronics Corporation Harrisburg, PA 17105-3608	
DIMENSIONS: mm [INCHES]		CHK C. ROHDE 11-12-04		
TOLERANCES UNLESS OTHERWISE SPECIFIED:		APVD M. WALMSLEY 11-12-04	NAME RECEPTACLE ASSY, RIGHT ANGLE, 7 POSITION, SELECT LOADED, SHIELDED, CIRCULAR DIN	
0 PLC ± -		PRODUCT SPEC 108-10047	SIZE A2	
1 PLC ± -		APPLICATION SPEC 114-40025	CAGE CODE 00779	DRAWING NO C=5520841
2 PLC ± 0.13 [.005]		MATERIAL	SCALE 4:1	SHEET 1 of 1
3 PLC ± -		FINISH	REV 01	
4 PLC ± -			CUSTOMER DRAWING	
ANGLES ± 0° 30'				